

Foundations™

SOME ADULT ASSEMBLY NECESSARY

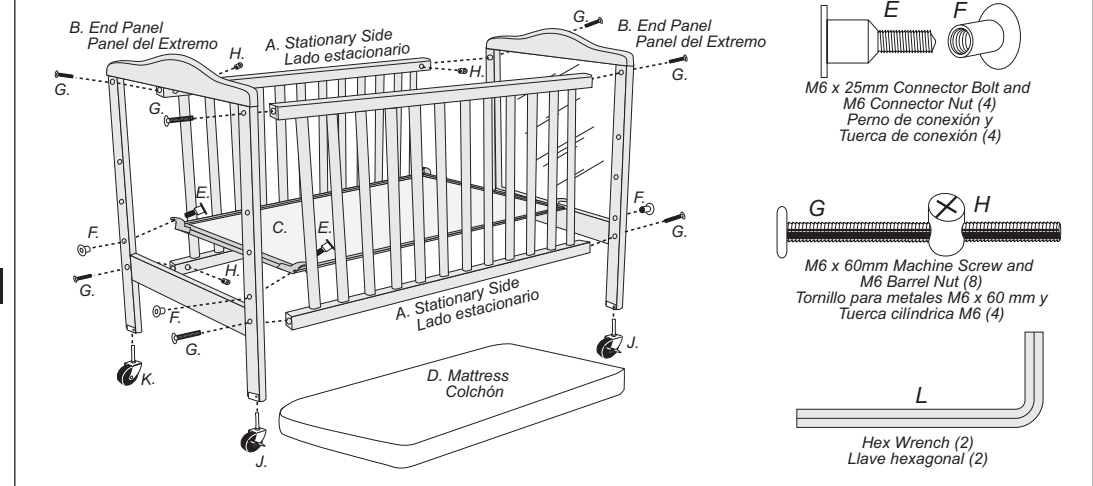
TOOLS REQUIRED: HEX WRENCH (INCLUDED) AND
PHILLIPS SCREWDRIVER (NOT INCLUDED)

SE REQUIERE ENSAMBLAJE PARCIAL POR UN ADULTO
HERRAMIENTAS NECESARIAS: LLAVE HEXAGONAL (INCLUIDA) Y
DESTORNILLADOR PHILLIPS (DE CRUZ) (no incluido)

PARTS LIST / LISTA DE PIEZAS

Part Description / Descripción de piezas	Qty. / Cantidad
A. Stationary Side / Lado estacionario	2
B. End panel / Panel del Extremo	2
C. Mattress support / Soporte del colchón	1
D. Mattress / Colchón	1
E. M6 x 25mm Connector bolt / Perno de conexión M6 x 25 mm	4
F. M6 Connector nut / Tuerca de conexión M6	4
G. M6 x 60 mm machine screw / Tornillo para metales M6 x 60 mm	8
H. M6 Barrel nut / Tuerca cilíndrica M6	8
J. Locking casters / Ruedas de inmovilización	2
K. Nonlocking casters / Ruedas libres	2
L. Hex Wrench / Llave hexagonal	2

SERENITY™ COMPACT STATIONARY SIDE CRIB



ASSEMBLY INSTRUCTIONS

- Read all instructions BEFORE assembly and USE of crib.
- Unpack carton and identify all parts. In some cases, an extra fastener has been included.
- Ask your dealer or call Foundations™ at 1-866-740-0195 (Monday through Friday, 9:00 a.m.–4:00 p.m. Eastern Time) for assistance, replacement parts, or instructions if needed. Please have ready the crib model number and manufacture date from the label on the bottom rail of Headboard.

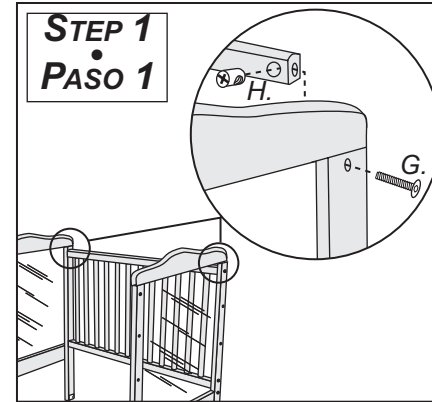
⚠ WARNING

- Before each usage or assembly, inspect crib for damaged hardware, loose joints, missing parts or sharp edges. DO NOT use crib if any parts are missing or broken. DO NOT substitute parts.
- Choking hazard - Crib assembly hardware includes small parts. Keep small parts away from children.

STEP 1 - STATIONARY SIDE ASSEMBLY

IMPORTANT SAFETY NOTICE: When assembling the crib, labels on the End Panels **MUST** face toward the inside of the crib. If crib is assembled incorrectly, it could create an entrapment hazard between the mattress and end panels.

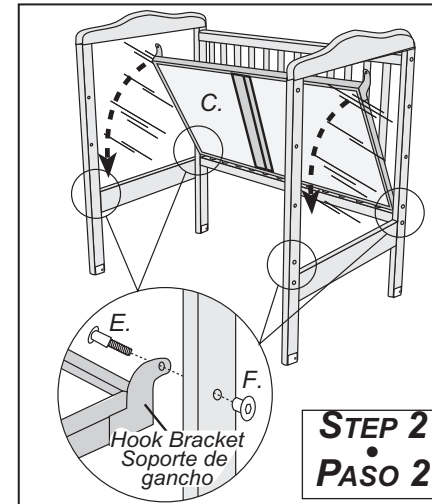
1. Remove **Barrel Nut (H)** from **M6 x 60mm Machine Screw (G)**.
2. Insert plain end of **Barrel Nut (H)** into the hole located at one end of **Stationary Side Top Rail**.
3. Standing outside crib, position the **Stationary Side (A)** with the barrel nut holes to the inside of crib and plastic teething protector at top.
4. Insert one **M6 x 60mm Machine Screw (G)** through hole near top of **End Panel**, into the hole in the end of the **Stationary Side** and into the barrel nut. (If necessary, turn the barrel nut to align the barrel nut with the screw by using a screwdriver in the end slots of the barrel nut.) Turn the machine screw into the barrel nut.
5. Repeat at opposite end of **Stationary Side** to secure to other **End Panel**.
6. Repeat steps 1. through 5. above to attach the bottom rail of the **Stationary Side** to the **End Panels (B)**.
7. Repeat steps 1. through 6. above for the second **Stationary Side**.
8. Securely tighten all screws on **Stationary Side** using **Hex Wrench (L)**.



STEP 2 - MATTRESS SUPPORT

1. Determine which mattress height will be used in the crib.
Note: If child is able to pull to standing position, set mattress to lowest position.
2. While standing at the stationary side rail, place the hook bracket on the opposite side of **Mattress Support (C)** over lower rails of Stationary Side.
Note: Hook brackets and instruction label on Mattress Support **MUST** be toward opposite side as shown.
3. Swing **Mattress Support** down until hook brackets contact the lower tracks for the opposite stationary side.
4. Standing on one side, lift **Mattress Support** vertically to desired height position, insert **Connector Bolt (E)** in **End Panel**, and secure with **Connector Nut (F)**.
5. Walk around the crib to the opposite side and repeat step 4.
6. Securely tighten all **Connector Bolts** and **Connector Nuts**.

Note: When using crib with evacuation frame, mattress support must be in lowest position.

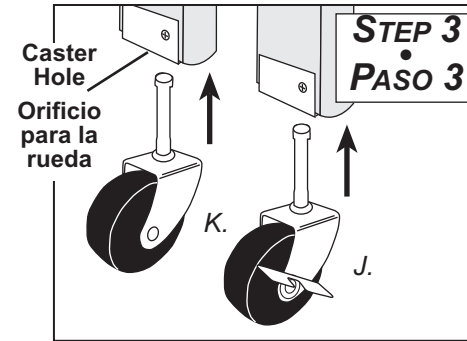


STEP 3 - CASTER ASSEMBLY

Note: *Locking Casters (J)* should be positioned on the same side of the crib.

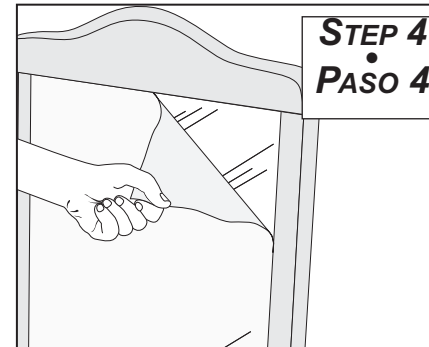
1. Standing at the side, lift crib and insert a **Locking Caster (J)** into a **Caster Hole** on bottom of **End Panel**. While holding the **Caster** in place, set it on the floor and push down on the leg until the caster snaps into position.
2. Repeat step 1. at opposite end of same Stationary Side.
3. Repeat step 1. and 2. on the opposite side of crib using the **Nonlocking Casters (K)**.

Note: When using crib with evacuation frame, do not install crib casters.



STEP 4 - PROTECTIVE FILM REMOVAL

1. To remove protective film, firmly grasp one corner of the protective film covering the acrylic panel in the End Panel and pull slowly until film is completely removed. Repeat for the opposite End Panel.
2. Clean clear panel with spray cleaner like "Windex®" to remove glue left on surface of panel.



STEP 5 - MATTRESS

1. Insert **Mattress (D)**.

This completes the assembly. Crib is ready for use.

WARNING

Failure to follow these warnings and the instructions could result in serious injury or death!

- The crib, including side rails, must be fully erected prior to use.
- Always provide the supervision necessary for the continued safety of your child. When used for play, NEVER leave child unattended.
- Strings can cause strangulation! DO NOT place items with a string around a child's neck such as hood strings or pacifier cords. DO NOT suspend strings over crib or attach strings to toys.
- To reduce the risk of SIDS, pediatricians recommend healthy infants be placed on their back to sleep unless otherwise advised by your physician.
- DO NOT place crib near window where cords from blinds or drapes can strangle a child.
- DO NOT use crib near objects that child could reach or pull into crib and cause injury such as lamps, heaters, fireplaces, or ironing boards.
- When child is able to pull to standing position, set mattress to lowest adjustment position and remove bumper pads, large toys, and other objects that could serve as steps for climbing out.
- Discontinue use of the crib when child is able to climb out or reaches the height of 35 inches (89 cm). The child should be placed in a youth or regular bed.
- Replace teething rail if damaged, cracked or loose.
- If refinishing, use a non-toxic finish specified for children's products.
- DO NOT use a water mattress with this crib.
- To avoid injuries, do not allow children to climb or play on or under the crib.

WARNING **Infants can suffocate**

- In gaps between a mattress too small or too thick and side of crib.
- On soft bedding.
NEVER add a mattress, pillow, comforter or padding.
- Use ONLY the mattress provided by the manufacturer (which must be at least 37-1/2 inches long by 23-1/2 inches wide and not more than 3-1/4 inches thick).
- Never use plastic shipping bags or other plastic film as mattress covers not sold and intended for that purpose. They can cause suffocation.

WARNING:

ANY MATTRESS USED IN THIS CRIB MUST BE AT LEAST 37-1/2 INCHES LONG BY 23-1/2 INCHES WIDE WITH A THICKNESS NOT EXCEEDING 3-1/4 INCHES.

OPERATION AND STORAGE

- This crib is guaranteed to meet all federal and state standards and will provide many years of service provided you adhere to the following guidelines for assembly, maintenance and operation.
- Never aim or point a vaporizer or humidifier directly at the crib. The water vapor will ruin the finish of the crib, as it would any other fine piece of furniture.
- For parts or assistance, call Foundations™.

Adjusting Mattress Support:

1. Remove all Connector Bolts and Connector Nuts holding the Mattress Support allowing Mattress Support to rest on Stationary Side Bottom Rails.
2. Standing on one side, lift Mattress Support vertically to desired height position, insert Connector Bolts in End Panels, and secure with Connector Nuts.
3. Walk around the crib to the opposite side and repeat step 2.
4. Securely tighten all Connector Bolts and Connector Nuts.

Disassembly and Storage:

1. Remove the crib mattress.
2. Follow the assembly instructions in reverse order, starting with Step 2.
3. Store your crib in a cool, dry place.

MAINTENANCE AND CLEANING

CAUTION: Periodically check the safety of your crib by making certain all screws, nuts, and bolts are tightened securely. Call Foundations™ to replace any broken or missing parts. DO NOT substitute parts.

- Your crib may be cleaned using a damp cloth with mild soap or a soft dry cloth.
- Avoid using furniture polish or cleaning agents that may be hazardous to children.
- To clean Clear or Mirror Panels, use mild dish soap, water, and a soft cloth. Wipe the surface, applying only light pressure to remove grease or oil. Do not use window-cleaning sprays, kitchen scouring compounds or other chemicals.
- To remove fine scratches from Clear or Mirror Panels, hand polish with a plastic scratch remover or compound cleaner.
- Replace teething rail if damaged, cracked or loose.
- If refinishing, use only non-toxic finish specified for children's products.

ONE YEAR LIMITED WARRANTY

Foundations™ warrants this product to be free from all defects in material and workmanship when used according to the manufacturer's instructions to the original owner for a period of one year from date of purchase. The warranty does not apply to damage caused by product alteration, normal wear and tear, misuse or abuse of the product. Keep your sales receipt as a record of the date of purchase. For replacement parts or warranty issues, please contact Foundations™ as we are better able to serve you. DO NOT return the product to your retailer or distributor.

If you need assistance, call or write:

Foundations™, P.O. Box 1910, Medina, OH 44258-1910
Telephone 1-866-740-0195, Fax 1-330-721-6799

 **Foundations™**
Division of Shamrock Industries, Inc.
P.O. Box 1910
Medina, OH 44258-1910
1-866-740-0195