

# Foundations™

SOME ADULT ASSEMBLY NECESSARY

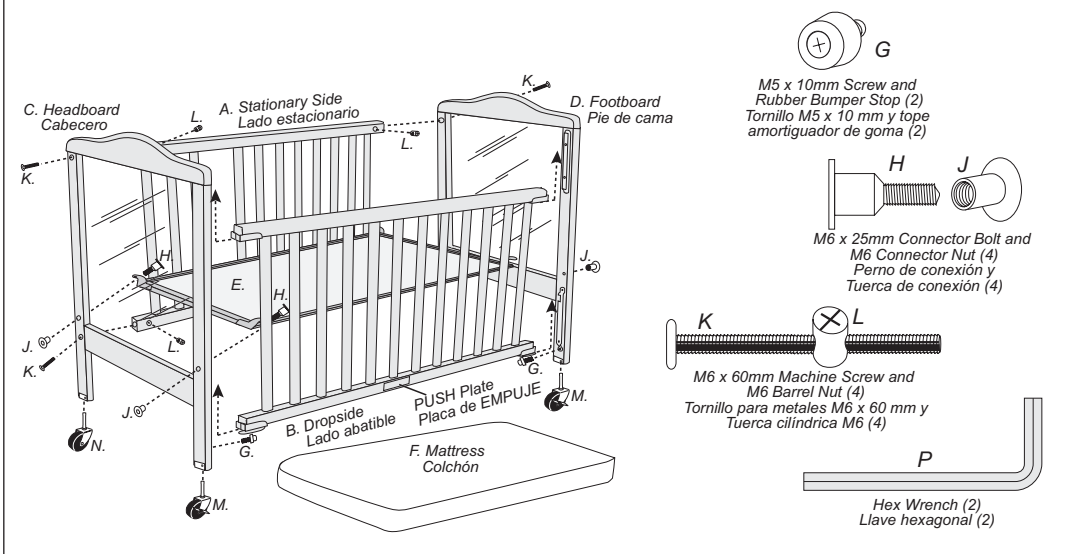
TOOLS REQUIRED: HEX WRENCH (INCLUDED) AND  
PHILLIPS SCREWDRIVER (NOT INCLUDED)

SE REQUIERE ENSAMBLAJE PARCIAL POR UN ADULTO  
HERRAMIENTAS NECESARIAS: LLAVE HEXAGONAL (INCLUIDA) Y  
DESTORNILLADOR PHILLIPS (DE CRUZ) (no incluido)

## PARTS LIST / LISTA DE PIEZAS

Part Description / Descripción de piezas	Qty. / Cantidad
A. Stationary Side / Lado estacionario	1
B. Dropline / Lado abatible	1
C. Headboard / Cabecero	1
D. Footboard / Pie de cama	1
E. Mattress support / Soporte del colchón	1
F. Mattress / Colchón	1
G. M5 x 10 mm screw and rubber bumper stop / Tornillo y tope amortiguador de goma M5 x 10 mm	2
H. M6 x 25 mm Connector bolt / Perno de conexión M6 x 25 mm	4
J. M6 Connector nut / Tuerca de conexión M6	4
K. M6 x 60 mm machine screw / Tornillo para metales M6 x 60 mm	4
L. M6 Barrel nut / Tuerca cilíndrica M6	4
M. Locking casters / Ruedas de inmovilización	2
N. Nonlocking casters / Ruedas libres	2
P. Hex Wrench / Llave hexagonal	2

## SERENITY™ COMPACT DROPSIDE CRIB



## ASSEMBLY INSTRUCTIONS

- Read all instructions BEFORE assembly and USE of crib.
- Unpack carton and identify all parts. In some cases, an extra fastener has been included.
- Ask your dealer or call Foundations™ at 1-866-740-0195 (Monday through Friday, 9:00 a.m.–4:00 p.m. Eastern Time) for assistance, replacement parts, or instructions if needed. Please have ready the crib model number and manufacture date from the label on the bottom rail of Headboard.

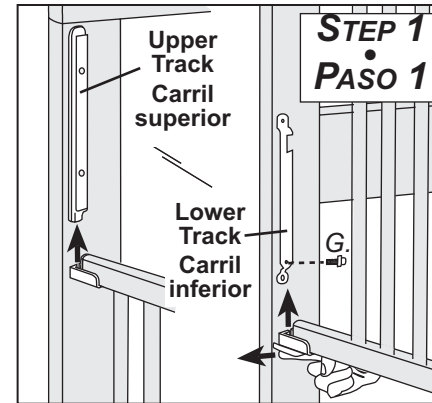
## ⚠ WARNING

- Before each usage or assembly, inspect crib for damaged hardware, loose joints, missing parts or sharp edges. DO NOT use crib if any parts are missing or broken. DO NOT substitute parts.
- Choking hazard - Crib assembly hardware includes small parts. Keep small parts away from children.

## STEP 1 - DROPSIDE ASSEMBLY

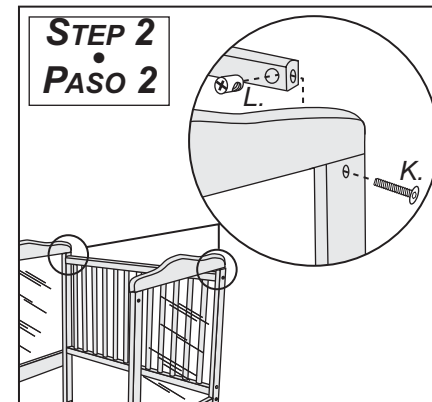
Before assembling, make sure the dropside is positioned so that the "PUSH" plate is at the bottom and facing outward.

1. Standing inside crib, align upper glide on **Dropside (B)** with bottom end of upper track on **Headboard (C)**.
2. Align lower glide on **Dropside** with bottom end of lower track on **Headboard**.
3. Push spring-loaded lever on lower glide assembly outward and hold while raising dropside.
4. Raise dropside until rail locks in the upper position. Check that both glides are securely on tracks.
5. Screw **M5 x 10mm Screw and Rubber Bumper Stop (G)** into screw hole at bottom of lower track. **Do not over-tighten screw.**
6. Repeat steps 2. through 5. above for the opposite end of **Dropside** and **Footboard (D)**.



## STEP 2 - STATIONARY SIDE ASSEMBLY

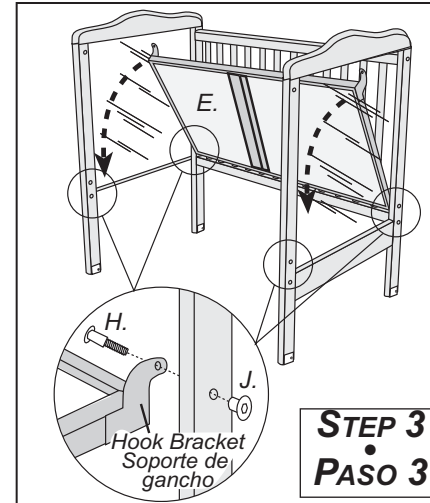
1. Remove **Barrel Nut (L)** from **M6 x 60mm Machine Screw (K)**.
2. Insert plain end of **Barrel Nut (L)** into the hole located at one end of **Stationary Side Top Rail**.
3. Standing outside crib, position the **Stationary Side (A)** with the barrel nut holes to the inside of crib and plastic teething protector at top.
4. Insert one **M6 x 60mm Machine Screw (K)** through hole near top of Headboard, into the hole in the end of the **Stationary Side Rail** and into the barrel nut. (If necessary, turn the barrel nut to align the barrel nut with the screw by using a screwdriver in the end slots of the barrel nut.) Turn the machine screw into the barrel nut.
5. Repeat at opposite end to secure top of **Stationary Side Rail**.
6. Repeat steps 1. through 5. above to attach the bottom rail of the **Stationary Side Rail** to the **Headboard (C)** and **Footboard (D)**.
7. Securely tighten all screws on Stationary Side Rails using **Hex Wrench (P)**.



### STEP 3 - MATTRESS SUPPORT

1. While standing at the dropside, place the hook bracket on the opposite side of **Mattress Support (E)** over lower rails of Stationary Side.  
**Note:** Hook brackets and instruction label on Mattress Support **MUST** be toward opposite side as shown.
2. Swing **Mattress Support** down until hook brackets contact the lower tracks for the dropside.
3. Lift **Mattress Support** to align one hook bracket with hole in **Headboard**, and insert **Connector Bolt (H)** through **Mattress Support** and **Headboard**. Secure with a **Connector Nut (J)**.
4. Repeat step 3. for remaining 3 hook brackets.
5. Securely tighten all **Connector Bolts** and **Connector Nuts**.

**Note:** When using crib with evacuation frame, mattress support must be in lowest position.

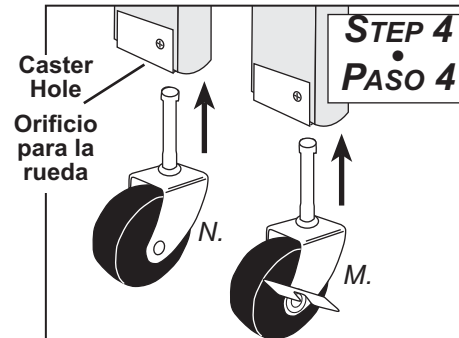


### STEP 4 - CASTER ASSEMBLY

**Note:** **Locking Casters** should be positioned on the corners of the Dropside where they are easily accessible.

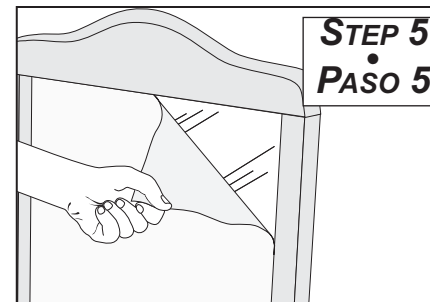
1. Standing at Dropside, lift crib and insert a **Caster (M)** into a caster hole on bottom of **Headboard**. While holding the **Caster** in place, set it on the floor and push down on the leg until the caster snaps into position.
2. Repeat step 1. at opposite end of Dropside.
3. Repeat step 1. on the Stationary Side of crib using the **Nonlocking Casters (N)**.

**Note:** When using crib with evacuation frame, do not install crib casters.



### STEP 5 - PROTECTIVE FILM REMOVAL

1. To remove protective film, firmly grasp one corner of the protective film covering the acrylic panel in the headboard and pull slowly until film is completely removed. Repeat for the footboard.
2. Clean clear panel with spray cleaner like "Windex®" to remove glue left on surface of panel.



### STEP 6 - MATTRESS

1. Insert **Mattress (F)**.

**This completes the assembly. Crib is ready for use.**

## **WARNING**

**Failure to follow these warnings and the instructions could result in serious injury or death!**

- The crib, including side rails, must be fully erected prior to use. Make sure latches are secured.
- DO NOT** leave child in crib with side lowered. Be sure side is in raised and locked position whenever child is in crib.
- Always provide the supervision necessary for the continued safety of your child. When used for play, **NEVER** leave child unattended.
- Strings can cause strangulation! **DO NOT** place items with a string around a child's neck such as hood strings or pacifier cords. **DO NOT** suspend strings over crib or attach strings to toys.
- To reduce the risk of SIDS, pediatricians recommend healthy infants be placed on their back to sleep unless otherwise advised by your physician.
- DO NOT** place crib near window where cords from blinds or drapes can strangle a child.
- DO NOT** use crib near objects that child could reach or pull into crib and cause injury such as lamps, heaters, fireplaces, or ironing boards.
- When child is able to pull to standing position, remove bumper pads, large toys, and other objects that could serve as steps for climbing out.
- Discontinue use of the crib when child is able to climb out or reaches the height of 35 inches (89 cm). The child should be placed in a youth or regular bed.
- Replace teething rail if damaged, cracked or loose.
- If refinishing, use a non-toxic finish specified for children's products.
- DO NOT** use a water mattress with this crib.
- To avoid injuries, do not allow children to climb or play on or under the crib.

## **WARNING**

**Infants can suffocate**

- In gaps between a mattress too small or too thick and side of crib.
- On soft bedding.  
**NEVER** add a mattress, pillow, comforter or padding.
- Use **ONLY** the mattress provided by the manufacturer (which must be at least 37-1/2 inches long by 23-1/2 inches wide and not more than 3-1/4 inches thick).
- **Never** use plastic shipping bags or other plastic film as mattress covers not sold and intended for that purpose. They can cause suffocation.

### **WARNING:**

**ANY MATTRESS USED IN THIS CRIB MUST BE AT LEAST 37-1/2 INCHES LONG BY 23-1/2 INCHES WIDE WITH A THICKNESS NOT EXCEEDING 3-1/4 INCHES.**

## **OPERATION AND STORAGE**

- This crib is guaranteed to meet all federal and state standards and will provide many years of service provided you adhere to the following guidelines for assembly, maintenance and operation.
- Never aim or point a vaporizer or humidifier directly at the crib. The water vapor will ruin the finish of the crib, as it would any other fine piece of furniture.
- For parts or assistance, call Foundations™.

### **Operation of dropside:**

1. Grasp middle of dropside rail.
2. Lift slightly, while pushing in with leg on bottom rail of dropside.
3. Carefully push dropside down to the lowest position.  
NEVER leave child in crib when dropside is in lowest, or unlocked, position.

### **Disassembly and Storage:**

1. Remove the crib mattress.
2. Follow the instructions in reverse order, starting with Step 3.
3. Store your crib in a cool, dry place.

## **MAINTENANCE AND CLEANING**

**CAUTION:** Periodically check the safety of your crib by making certain all screws, nuts, and bolts are tightened securely. Call Foundations™ to replace any broken or missing parts. DO NOT substitute parts.

- Your crib may be cleaned using a damp cloth with mild soap or a soft dry cloth.
- Avoid using furniture polish or cleaning agents that may be hazardous to children.
- To clean Clear or Mirror Panels, use mild dish soap, water, and a soft cloth. Wipe the surface, applying only light pressure to remove grease or oil. Do not use window-cleaning sprays, kitchen scouring compounds or other chemicals.
- To remove fine scratches from Clear or Mirror Panels, hand polish with a plastic scratch remover or compound cleaner.
- Replace teething rail if damaged, cracked or loose.
- If refinishing, use only non-toxic finish specified for children's products.

## **ONE YEAR LIMITED WARRANTY**

Foundations™ warrants this product to be free from all defects in material and workmanship when used according to the manufacturer's instructions to the original owner for a period of one year from date of purchase. The warranty does not apply to damage caused by product alteration, normal wear and tear, misuse or abuse of the product. Keep your sales receipt as a record of the date of purchase. For replacement parts or warranty issues, please contact Foundations™ as we are better able to serve you. DO NOT return the product to your retailer or distributor.

If you need assistance, call or write:  
Foundations™, P.O. Box 1910, Medina, OH 44258-1910  
Telephone 1-866-740-0195, Fax 1-330-721-6799



Division of Shamrock Industries, Inc.  
P.O. Box 1910  
Medina, OH 44258-1910  
1-866-740-0195