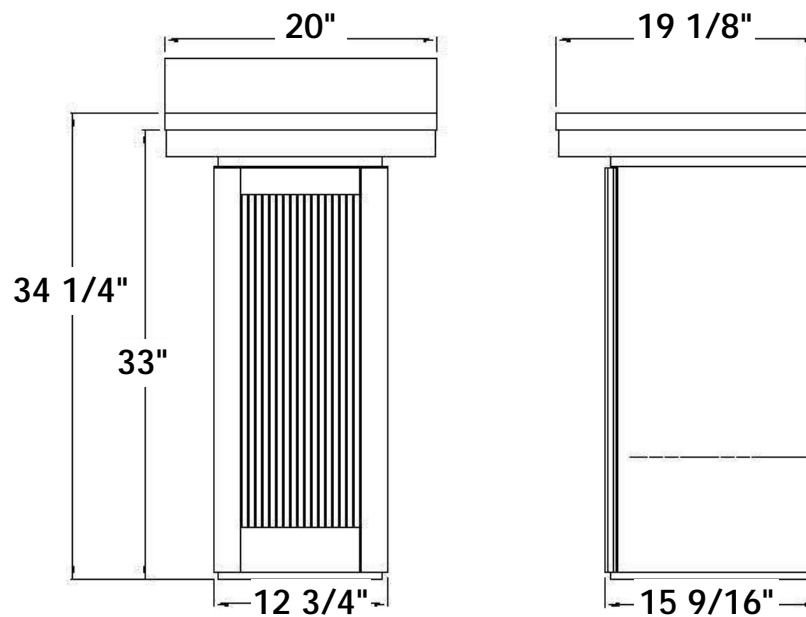


## Robi Specifications

1.25" (3 cm) Solid Stone Top  
2" Backsplash  
Handcrafted Furniture  
Hardware Included  
1 Interior Drawer  
Functional Exterior Door  
Adjustable Levelers

Design Copyright Protected 2006 FORMS + Fixtures  
Designer: MM Reynolds

PROFESSIONAL INSTALLATION RECOMMENDED



FORMS+ *fixtures*™

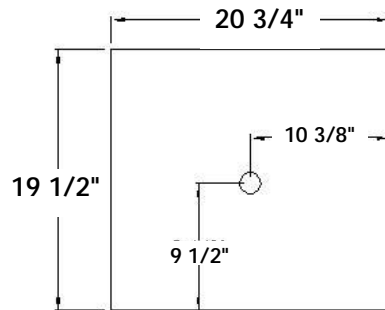
T> 336.389.0101  
F> 336.389.0102  
[www.formsandfixtures.com](http://www.formsandfixtures.com)  
[sales@formsandfixtures.com](mailto:sales@formsandfixtures.com)

## EOS & Robi Top Drilling Specifications

Design Copyright Protected 2006 FORMS + Fixtures  
Designer: MM Reynolds

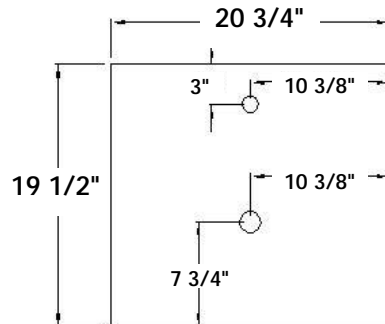
PROFESSIONAL INSTALLATION RECOMMENDED

**A.** EOS & Robi  
No Faucet Drill



Standard Drain Drill  
1 3/4" Dia.

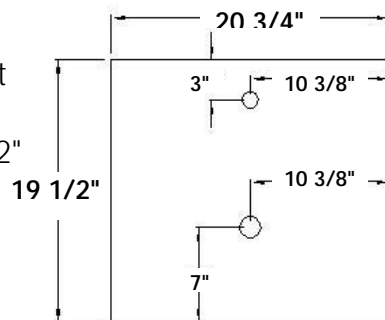
**B.** EOS & Robi  
Single Hole Faucet  
Drill With 16" Bowl



Standard Faucet  
Drill  
1 3/8" Dia.

Standard Drain Drill  
1 3/4" Dia.

**B.** EOS & Robi  
Single Hole Faucet  
Drill With Copper  
Vessel With 17 1/2"  
Dia.



Standard Faucet  
Drill  
1 3/8" Dia.

Standard Drain Drill  
1 3/4" Dia.

FORMS+ *fixtures*™

T> 336.389.0101

F> 336.389.0102

[www.formsandfixtures.com](http://www.formsandfixtures.com)

[sales@formsandfixtures.com](mailto:sales@formsandfixtures.com)