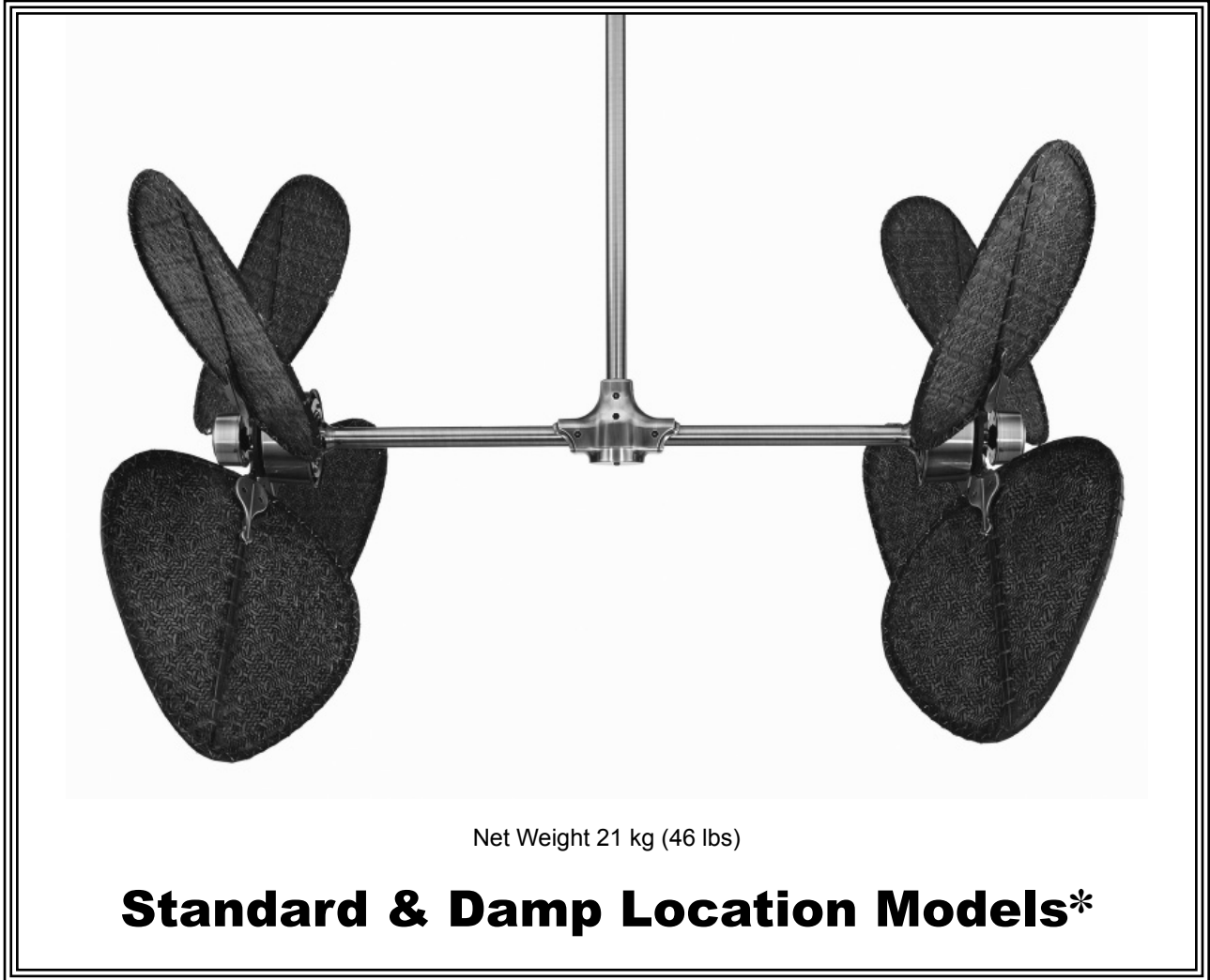


The Palisade[®]

Ceiling Fan



Model No. FP240**

OWNER'S MANUAL
READ AND SAVE THESE INSTRUCTIONS



**Damp Location Model; Top of fan is marked, "Suitable For Use In Damp Locations"*

Important Safety Instructions

WARNING: To avoid fire, shock and serious personal injury, follow these instructions.

1. Read your owner's manual and safety information before installing your new fan. Review the accompanying assembly diagrams.
2. Before servicing or cleaning unit, switch power off at service panel and lock service panel disconnecting means to prevent power from being switched on accidentally. When the service disconnecting means cannot be locked, securely fasten a warning device, such as a tag, to the service panel.
3. Be careful of the fan and blades when cleaning, painting, or working near the fan. Always turn off the power to the ceiling fan before servicing.
4. Do not insert anything into the fan blades while the fan is operating.
5. Do not operate reversing switch until fan blades have come to a complete stop.

Additional Safety Instructions

1. To avoid possible shock, be sure electricity is turned off at the fuse box before wiring, and do not operate fan without blades.
2. All wiring and installation procedures must satisfy National Electrical Codes (ANSI/ NFPA 70-1999) and local codes. Use the National Electrical Code if Local Codes do not exist. The ceiling fan must be grounded as a precaution against possible electrical shock. Electrical installation should be made or approved by a licensed electrician.
3. The fan base must be securely mounted and capable of reliably supporting at least 100 lbs. (fan and accessories not to exceed 35 lbs. or 16 kgs.). Outlet boxes are not acceptable for fan support. See page 4 of owner's manual for support requirements. Consult a qualified electrician if in doubt.
4. **CAUTION:** To reduce the risk of personal injury, mount the fan base to a ceiling joist or structural member using the hardware provided with your fan.
WARNING: Support Directly from Building Structure.
5. The fan must be mounted with the fan blades at least 7 feet from the floor to prevent accidental contact with the fan blades.
6. Follow the recommended instructions for the proper method of wiring your ceiling fan. If you do not have adequate electrical knowledge or experience, have your fan installed by licensed electrician.
WARNING: To reduce the risk of fire or electric shock, do not use any solid-state speed controls.
WARNING: TO REDUCE THE RISK OF SHOCK, THIS FAN MUST BE INSTALLED WITH AN ISOLATING WALL CONTROL/SWITCH.
WARNING: This product is designed to use only those parts supplied with this product and/or accessories designated specifically for use with this product. Using parts and/or accessories not designated for use with this product could result in personal injury or property damage.*
WARNING: To reduce the risk of personal injury, do not bend the blade bracket (flange or blade holder) when installing the brackets, balancing the blades, or cleaning the fan. Do not insert foreign objects in between rotating fan blades.

LIMITED LIFETIME WARRANTY

Extends to the original purchaser of a Fanimation Fan

1. **LIMITED LIFETIME MOTOR WARRANTY** - If any part of your fan motor fails, due to a defect in materials or workmanship during the lifetime of the original purchaser, Fanimation will provide the replacement part free of charge, when the defective fan is returned to our national service center. Proof of purchase is required. Customer shall be responsible for all costs incurred in the removal or reinstallation and shipping of the product for repairs or replacement.
2. **ONE YEAR MOTOR LABOR WARRANTY** - If your fan motor fails at any time within one year from the original purchase, due to defects in materials or workmanship, labor to repair the motor will be provided free of charge at our national service center. Purchaser will be responsible for labor charges after this one-year period. Customer shall be responsible for all costs incurred in the removal or reinstallation and shipping of the product for repairs or replacement.
3. If any other part of your fan fails at any time within one year after original purchase, due to a defect in materials or workmanship, we will repair, or replace, at our option, the defective part free of charge for parts and labor performed at our national service center.
4. Because of varying climate conditions, this warranty does not cover changes in the finish, including rusting, pitting, corroding, tarnishing, or peeling.
5. This warranty is void and does not apply to damage from improper installation, neglect, accident, misuse, exposure to extremes of heat or humidity, or as a result of any modification to the original product.
6. All costs of removal and reinstallation of the fan are the sole responsibility of the owner of the fan and not the store that sold the fan or Fanimation.
7. Fanimation reserves the right to modify or discontinue any product at any time and may substitute any part under this warranty.
8. Under no circumstances may a fan be returned without prior authorization from Fanimation. The receipt of purchase must accompany authorized returns and must be sent freight prepaid to Fanimation. The fan to be returned must be properly packed to avoid damage in transit; Fanimation will not be responsible for any damage resulting from improper packaging.
9. It is understood that any repair or replacement is the exclusive remedy available from Fanimation. There is no other expressed or implied warranty. Fanimation hereby disclaims any and all implied warranties, including, but not limited to those of merchantability and fitness for a particular purpose to the extent permitted by law. Some states do not allow limitations on implied warranties. Fanimation will not be liable for incidental, consequential, or special damages arising out of or in conjunction with product use or performance, except as may otherwise be accorded by law. This warranty gives you special legal rights and you may also have other rights that vary from state to state.
10. A certain amount of wobble is normal and should not be considered a problem or a defect.

***DAMP LOCATION CEILING FAN:** If you have purchased a Damp Location Ceiling Fan, you may only use light kits marked suitable for use in damp locations.

Table of Contents

Unpacking Instructions	3	Installing the Canopy Housing	10
Electrical and Structural Requirements	4	Assembling the Fan Blades	10
Assembling Crossbar To The Extension Pole	4	Blade Attachment	11
Fan Alignment And Hanger Bracket Installation	5	Controlling Airflow Patterns	11
Final Fan Assembly	6	Maintenance	12
Wiring and Control Options	8	Blade Cleaning	12
How to Wire Your Ceiling Fan	8	Trouble Shooting	13
How to Wire Your Ceiling Fan - C3 Wall Control	9	Parts List	14
Operating Instructions - C3 Wall Control	9	Exploded-View Drawing	15

This Manual is Designed to Make it as Easy as Possible for You to Assemble, Install, Operate, and Maintain Your Ceiling Fan

Tools Needed for Assembly

- One Phillips head screwdriver
- One stepladder
- One ¼" blade screwdriver
- One wire stripper
- Three wire connectors (supplied)
- 7/16", ½" & 9/16" wrench or socket wrench

NOTE: Assemble with Hand tools Only!

⚠ WARNING

Before assembling your ceiling fan, refer to section on proper method of wiring your fan (page 8). If you feel you do not have enough wiring knowledge or experience, have your fan installed by a licensed electrician.

Materials

Wiring outlet box and box connectors must be of type required by local code. The minimum wire would be a 3-conductor (2-wire with ground) of the following size:

Installed Wire Length	Wire Size A.W.G.
Up to 50 ft.	14
50 - 100 ft.	12

NOTE: Place the parts from the loose parts bags in a small container to keep them from being lost. If any parts are missing, contact your local retailer.

DAMP LOCATION CEILING FAN: If you have purchased a Damp Location Ceiling Fan, you may only use light kits marked suitable for use in damp locations.

Unpacking Instructions

For your convenience, check-off each step. As each step is completed, place a check mark. This will ensure that all steps have been completed and will be helpful in finding your place should you be interrupted.

⚠ WARNING

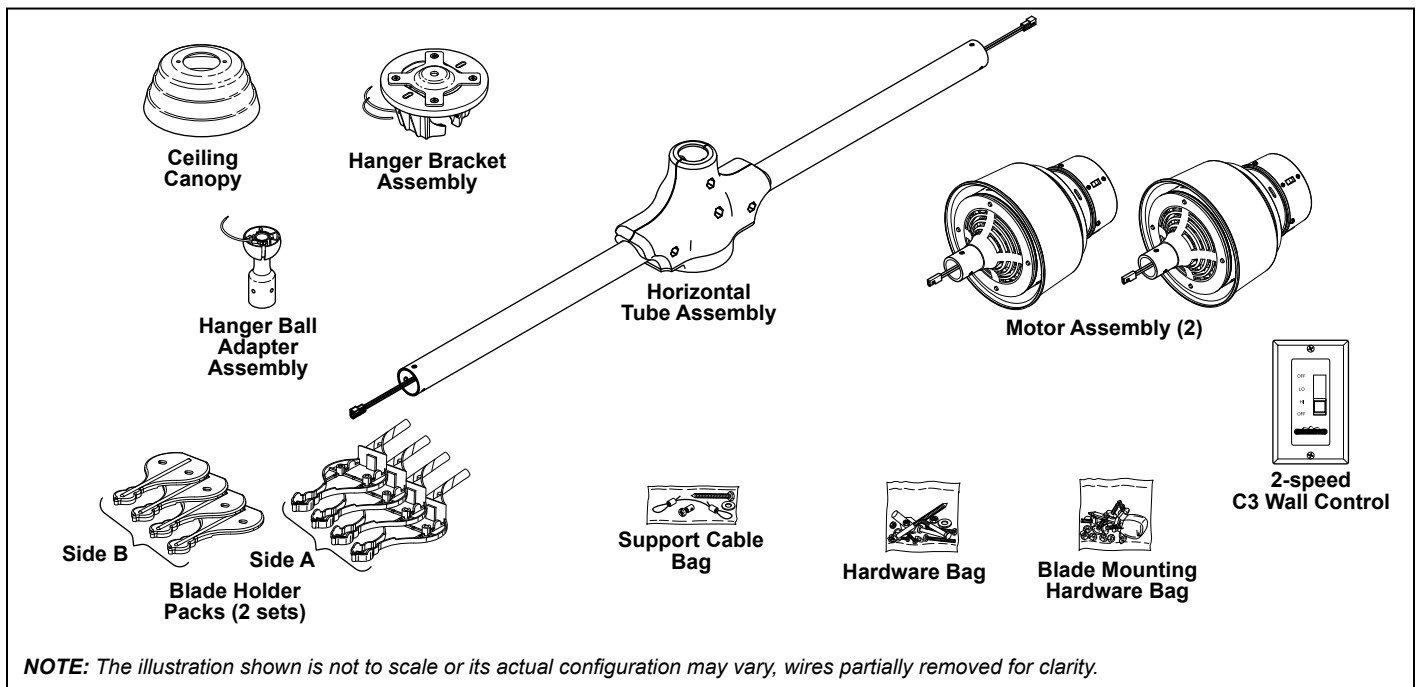
Do not install or use fan if any part is damaged or missing. This product is designed to use only those parts supplied with this product and/or any accessories designated specifically for use with this product by Fanimation. Substitution of parts or accessories not designated for use with this product by Fanimation could result in personal injury or property damage. Contact your retail store for missing or damaged parts.

1. Check to see that you have received the following parts:

NOTE: If you are uncertain of part description, refer to exploded view illustration. (Figure 1, page 15)

- Horizontal Tube Assembly
- Two Motor Assemblies
- Blade Holder pack containing:
 - Four blade holders (red dot)
 - Four blade holders (white dot)
 - Eight blade arm covers
- Blade Cover Mount'g Hardware Bag
 - Seventeen 3/16"-24 x 3/8" screws
 - Fanimation screwdriver
- Blade to Hub Mount'g Hardware Bag
 - Seventeen 10-32 x 1/2" screws
- Hanger Ball Adapter Assembly
- Ceiling Canopy
- Hanger Bracket Assembly
- 2-speed, C3 wall control
- Support Cable bag:
 - Ceiling Support Cable
 - Cable Clamp
 - 5" lag bolt
 - 2" lag bolt
 - 3/8" flat washer
- Hardware bag:
 - 2" lag bolt
 - 5 mm allen wrench
 - Four 1/4"-20 x 1/2" screws
 - Two 5/32"-32 x 1" threaded rods
 - Two 5/32"-32 external lockwashers
 - Two 5/32" knurled knobs
 - Six motor mounting screws
 - Two 1/4"-20 x 2 1/8" cap head bolts
 - Two 1/4"-20 nylon lock nuts
 - Four wire connectors

NOTE: An (24", 30", 36" or other available various lengths) extension pole is required for installation. Extension poles must be purchased separately.



NOTE: The illustration shown is not to scale or its actual configuration may vary, wires partially removed for clarity.

Electrical and Structural Requirements

Your new ceiling fan will require a grounded electrical supply line of 120 volts AC, 60 Hz, 15 amp circuit. The outlet box must be securely anchored and capable of withstanding a load of at least 100 lbs. Figure 1 depicts different structural configurations that may be used for mounting the outlet box.

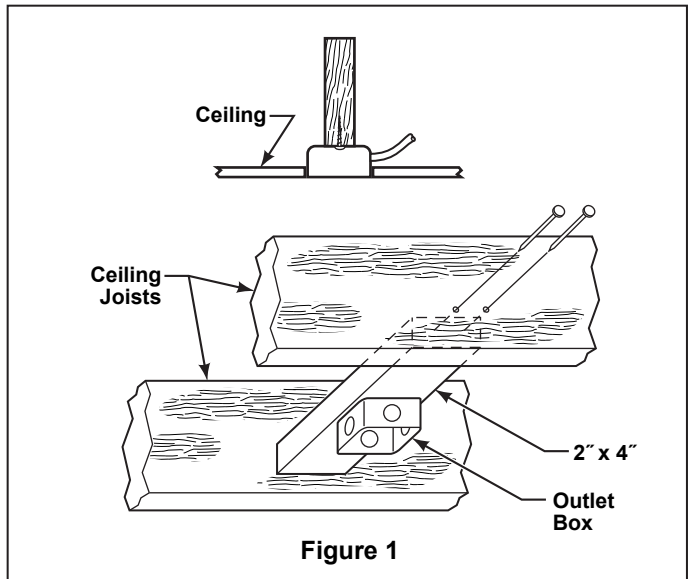
If your fan is to replace an existing light fixture, turn electricity off at the main fuse box at this time and remove the existing light fixture.

▲ WARNING

Turning off wall switch is not sufficient. To avoid possible electrical shock, be sure electricity is turned off at the main fuse box before wiring. All wiring must be in accordance with National and Local codes and the ceiling fan must be properly grounded as a precaution against possible electrical shock.

▲ WARNING

To avoid fire or shock, follow all wiring instructions carefully. Any electrical work not described in these instructions should be done or approved by a licensed electrician.



Assembling Crossbar To The Extension Pole

1. To prevent damage to motor housing, leave the Motor Assemblies in its original packing during installation of extension pole, horizontal tube and housing support.

NOTE: Do not set Horizontal Tube and Motor Assemblies on floor or hard surface.

2. Prior to assembly, set aside and save the hardware bag(s) packed in the packing.

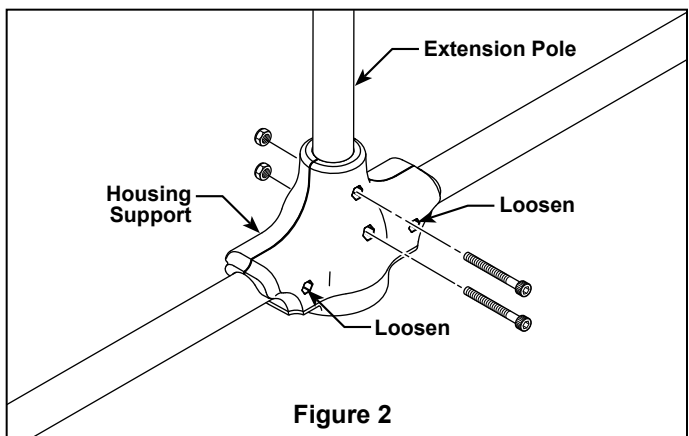
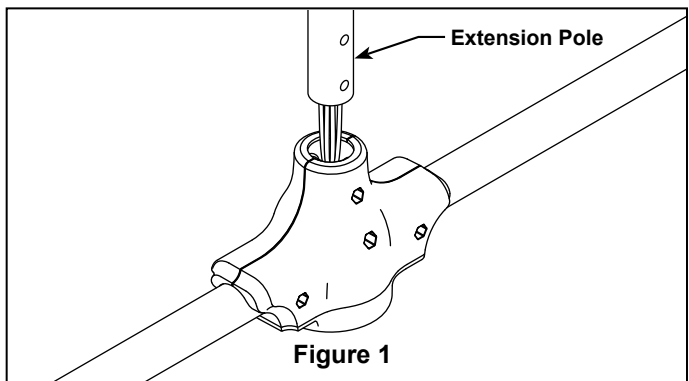
NOTE: An extension pole is required for installation. Extension poles are sold separately.

INSTALLATION NOTE

Be sure that the safety cable (along with the electrical supply wires) is pulled through the extension pole when installing the extension pole to the crossbar.

3. Separate and untwist the three motor leads and safety cable. Route the motor leads and safety cable through the bottom end of the extension pole as shown (Figure 1).

4. Position the bottom end of the extension pole inside the housing support located at the center of the horizontal tube assembly. It may be necessary to loosen the two screws that go through the horizontal tube assembly if the extension pole does not slide into the housing support easily without scratching the finish. Connect the extension pole to the housing support using the two



Assembling Crossbar To The Extension Pole (cont'd)

$\frac{1}{4}$ " x $2\frac{3}{16}$ " socket head bolts and locking nuts. Securely tighten both bolt and nut sets (Figure 2).

5. Slide Canopy over onto Extension Pole.

6. Route wires and safety cable through the Hanger Ball Adapter Assembly. (Figure 3)

7. Assemble the Hanger Ball Adapter Assembly to top of the Extension Pole with the 4 screws supplied with the fan. (Figure 3)

8. The fan comes with blue, black and white leads. Before installing fan, measure up approximately 6-9 inches above the top of the hanger adapter. Cut off excess wire and strip back insulation $\frac{1}{2}$ " from end of wire.

INSTALLATION NOTE

Do not connect fan blades until the fan is completely installed. Hanging the fan with blades connected may result in damage to the fan blades.

⚠ WARNING

To reduce the risk of personal injury, do not bend the blade holders when installing, balancing the blades or cleaning the fan. Do not insert foreign objects in between the rotating blades.

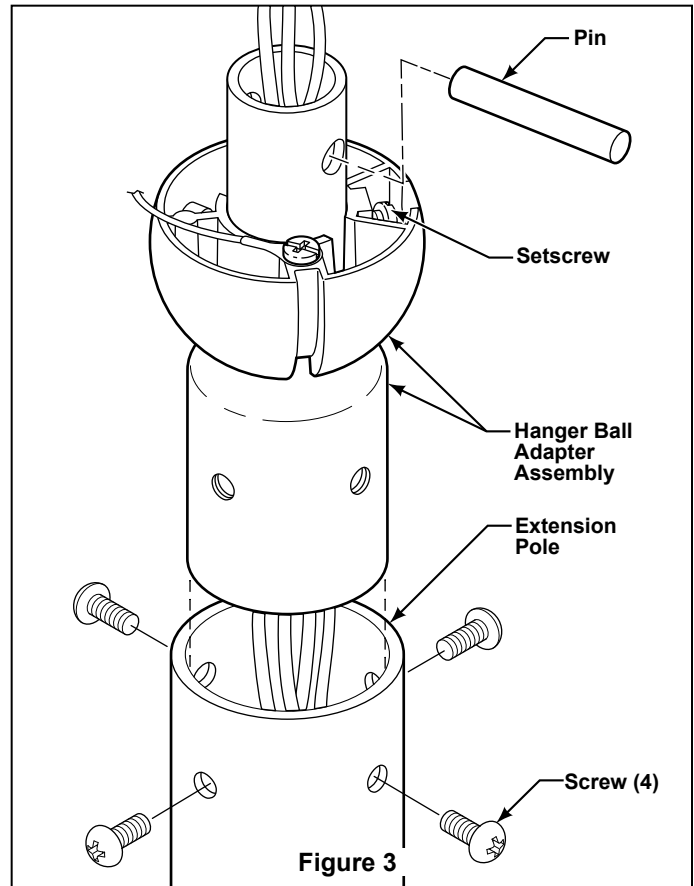


Figure 3

* Fan Alignment And Hanger Bracket Installation *

⚠ WARNING

Failure to follow these Hanger Bracket installation procedures may result in damage to Hanger Bracket.

1. **Attaching Ceiling Support Cable (Figure 1):** Drill $\frac{1}{4}$ " pilot hole through one of the four corners of the junction box, into the ceiling joist or structural member. Securely attach the ceiling support cable with $\frac{3}{8}$ " x 2" lag bolt and flat washer.

NOTE: Ceiling support cable must be fastened between flat washer and junction box with 2" lag bolt (Figure 1).

2. **Preliminary Hanger Bracket Attachment (Figure 1):** Drill $\frac{1}{4}$ " pilot hole through the center of the junction box, into the ceiling joist or structural member. Loosely attach hanger bracket to the ceiling structure using $\frac{3}{8}$ " x 5" lag bolt and flat washer. **DO NOT FULLY TIGHTEN THE LAG BOLT YET!** Hanger Bracket should be free to rotate.

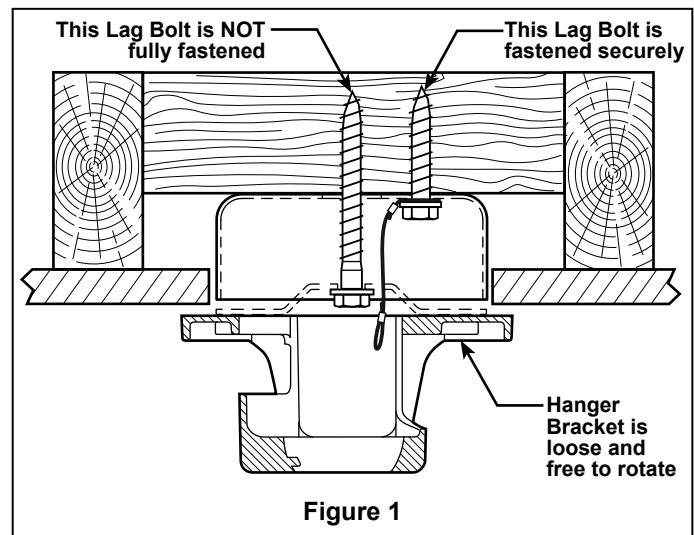


Figure 1

Fan Alignment And Hanger Bracket Installation (cont'd)

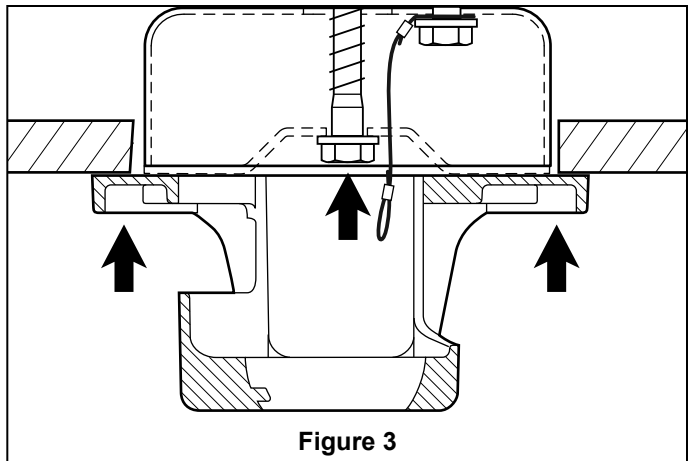
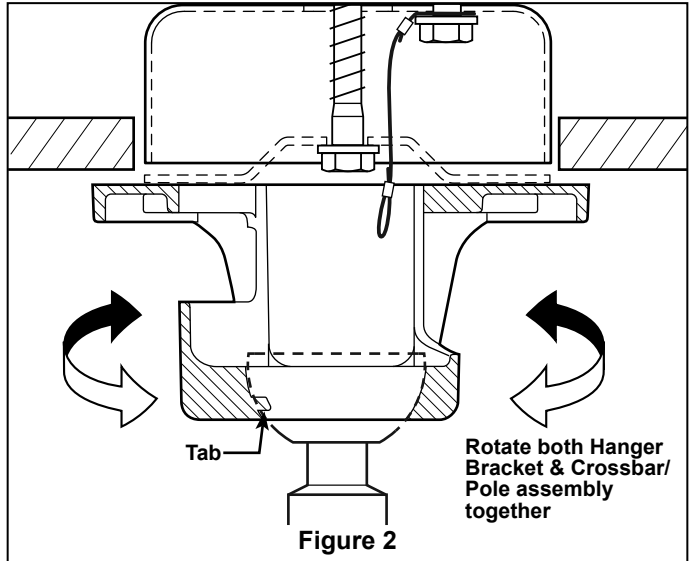
3. Hang the Crossbar / Pole Assembly (assembled earlier) into the the hanger bracket. Make sure the groove of the hanger ball is positioned on the tab of the hanger bracket. (Figure 2)

4. Carefully **ROTATE** the Hanger Bracket and Crossbar / Pole Assembly together to orientate the fan in the desired position. (Figure 2)

5. Carefully remove the Crossbar / Pole Assembly from the Hanger Bracket.

NOTE: If the Hanger Bracket rotates prior to tightening the lag bolt, the fan will no longer be positioned properly.

6. NOW, securely and fully tighten the lag bolt in the center of the Hanger Bracket while being careful not to allow the Hanger Bracket to rotate. (Figure 3)

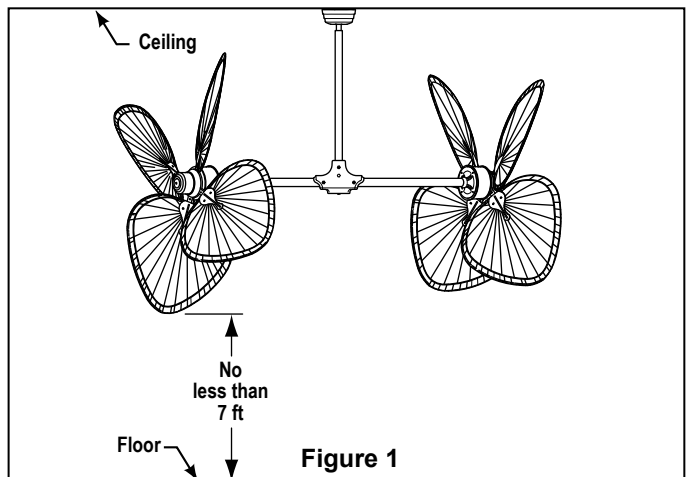


Final Fan Assembly

CAUTION

The fan must be hung with at least 7' of clearance from floor to blades (Figure 1)

1. Make sure the electrical supply wires, including the hanger bracket grounding wire and safety cable are pulled through the extension pole, between the hanger bracket and the junction box so that electrical connections can be made later.



Final Fan Assembly (cont'd)

2. Using the styrofoam pad provided, position one motor at each end of the tube assembly. Securely attach plug from motor to socket on tube assembly. (Figure 2)

3. Push assembled plug inside of tube assembly and slide end of motor into tube assembly.

▲ WARNING

To avoid possible fire or shock, make sure that the electrical wires are completely inside the tube assembly and not pinched between the motor assembly and the tube assembly.

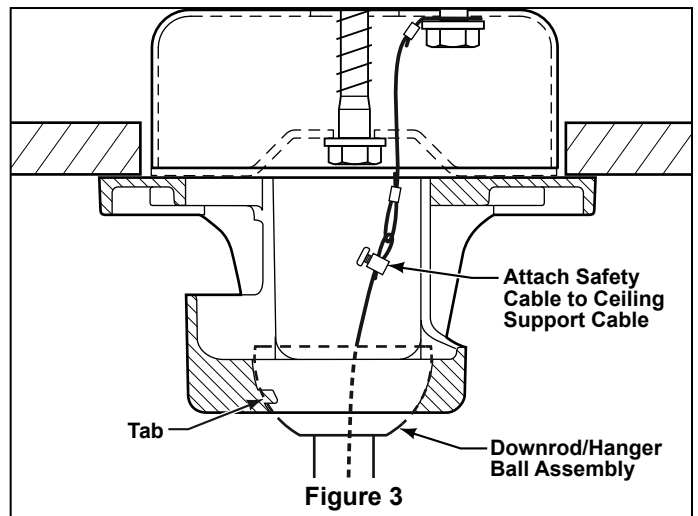
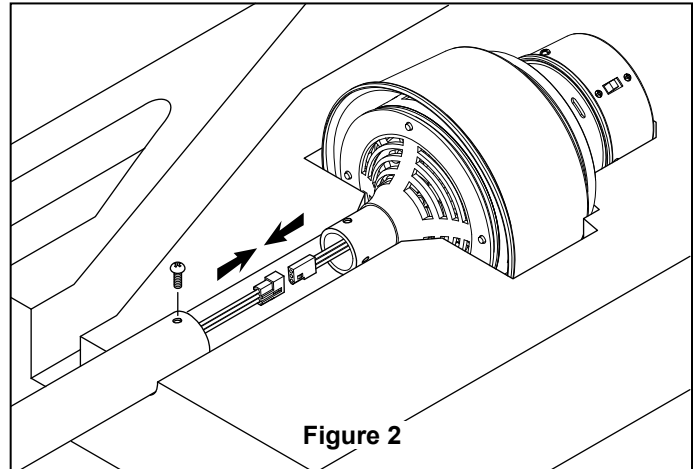
4. Align holes of tube with holes of motor assembly and install three screws at each motor. Do not over-tighten. (Figure 2)

5. Carefully lift the fan assembly and seat the extension pole/hanger ball/horizontal tube assembly on the hanger bracket that was just attached to the ceiling joist. Be sure the groove in the ball is lined up with tab on the hanger bracket. (Figure 3)

6. Attach the safety cable to ceiling support cable. Slide cable clamp onto safety cable (from fan). Place the end of cable through the loop of ceiling support cable. Pull as much cable through loop as possible. Feed end of cable into clamp hole and firmly tighten screw (Figure 3). Cut off excess safety cable.

▲ WARNING

Failure to seat tab in groove could cause damage to electrical wires and possible shock or fire hazard.



▲ WARNING

To avoid possible shock, do not pinch wires between the adapter/hanger ball assembly and the hanger bracket.

Wiring and Control Options

Please choose one of the following options and proceed to the page as indicated.

1. Standard 4-position, 2-speed, fan-only C3 wall control, see page 8.
2. Optional fan & light slide wall control (C6). Please see instructions provided with control.

3. Optional fan & light remote control receiver unit (SW24), to be used in conjunction with: C24 hand-held remote control and/or C25 wall-mount remote control. Please see instructions provided with control.

NOTE: If you are using a Fanimation Light Fixture with your fan, see Ceiling Fan Light Kit Installation Instructions (packed with light kit) for wiring.

How to Wire Your Ceiling Fan

If you feel that you do not have enough electrical wiring knowledge or experience, have your fan installed by a licensed electrician.

▲ WARNING

To avoid possible electrical shock, be sure electricity is turned off at the main fuse box before wiring.
NOTE: If you are not sure if the outlet box is grounded, contact a licensed electrician for advice, as it must be grounded for safe operation.

1. Run the blue, black and white fan wires through the wiring hole in the side of the hanger bracket to allow for electrical connections.
2. Connect the green grounding wire from the hanger bracket and hanger ball to the grounding wire from the outlet box (this may be a bare wire or a wire with green insulation). Securely connect these three wires with wire connectors supplied with your fan.
3. Securely connect the white wire from the fan motor to the white supply (neutral) wire using wire connector supplied (Figure 1).
4. Securely connect the black fan motor wire and blue wire to the black supply wire using wire connector supplied (Figure 1).

NOTE: If you are using a Fanimation Light Fixture with your fan, see Ceiling Fan Light Kit Installation Instructions for wiring.

INSTALLATION NOTE

If separate control of light fixture (optional) is desired, a separate switch leg from the outlet box is required. In this instance the blue wire from the fan will be connected to the light switch leg (typically red wire)

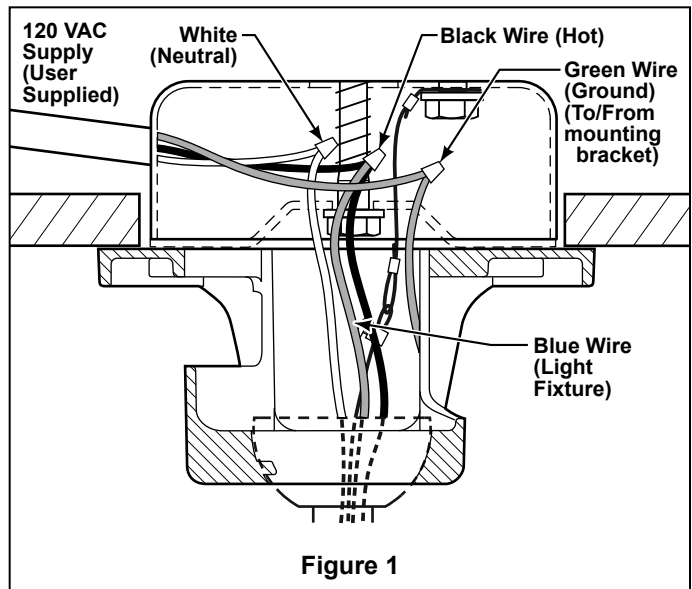


Figure 1

5. After connections have been made, turn leads upward and carefully push leads into the outlet box, with the white and green leads to one side of the box and the black and blue leads towards the other side.
6. After all electrical connections are made, secure the ceiling canopy to the hanger bracket with the threaded rods, lockwashers and knurled knobs provided (see page 10).
7. Prior to attaching blades, check to see that all connections are tight, including switch caps located on ends of motors and below the connecting harness.

▲ WARNING

Check to see that all connections are tight, including ground, and that no bare wire is visible at the wire connectors, except for the ground wire. Do not operate fan until the blades is in place. Noise and fan damage could result.

How to Wire Your Ceiling Fan - C3 Wall Control

If you feel that you do not have enough electrical wiring knowledge or experience, have your fan installed by a licensed electrician.

NOTE: If fan or supply wires are different colors than indicated, have this unit installed by a qualified electrician.

1. Complete steps 1 thru 6 "How to Wire Your Ceiling Fan" from page 8.

2. Installing Wall Control (Figures 1 & 2):

- With electrical power still disconnected, remove the existing wall plate and switch.
- Make wiring connections with wire nuts as shown in Figure 1.
 - One black wire from wall control unit to black (hot supply).
 - One black wire from wall control unit to black wire leading to ceiling outlet box.
- Attach wall control unit to outlet box using the two 6-32 screws provided.
- Attach wall plate to the switch control front using the two small screws provided.
- Restore electrical power.

⚠ WARNING

To avoid possible fire or shock, make sure that the electrical wires are completely inside the outlet box and not pinched between the wall plate and the wall.

⚠ WARNING

Check to see that all connections are tight, including ground, and that no bare wire is visible at the wire connectors, except for the ground wire. Do not operate fan until the blades is in place. Noise and fan damage could result.

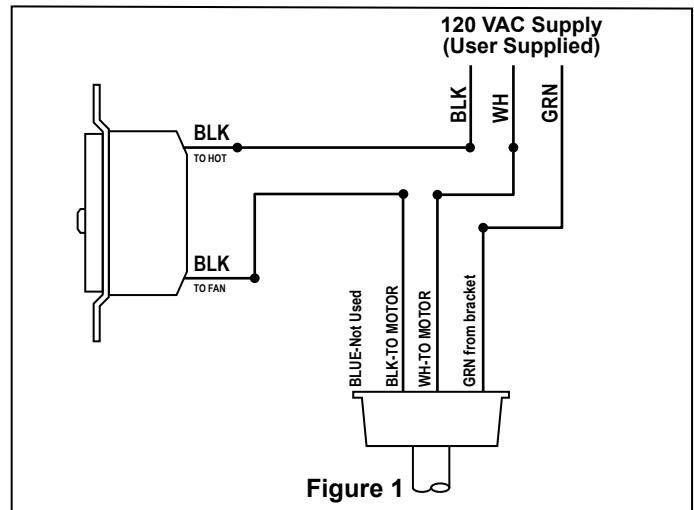


Figure 1

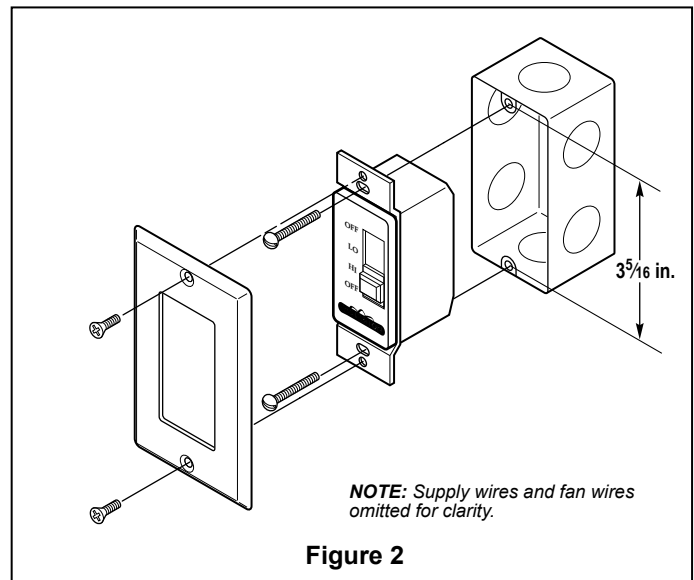


Figure 2

Operating Instructions - C3 Wall Control

1. Operating & Using Wall Control (Figure 1):

2. Check the operation of the fan by moving the slide switch on the wall control to low and then to high.

- OFF Switch – fan off
- LO Slide Switch – low fan speed
- HI Slide Switch – hi fan speed
- OFF Switch – fan off

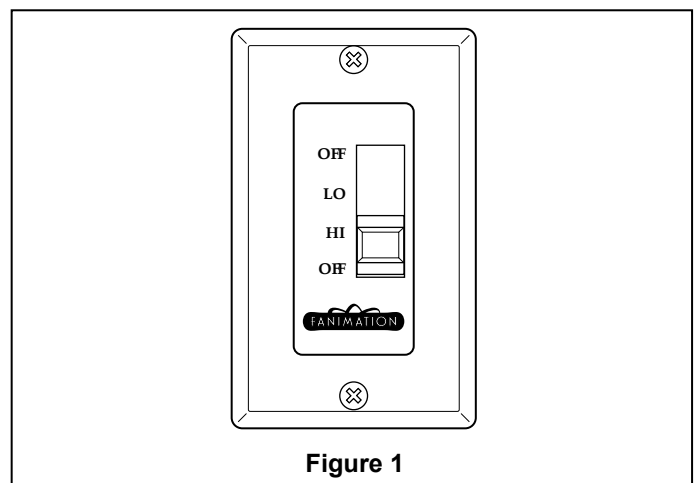


Figure 1

Installing the Canopy Housing

NOTE: This step is applicable after the necessary wiring is completed. (see pages 8 and 9)

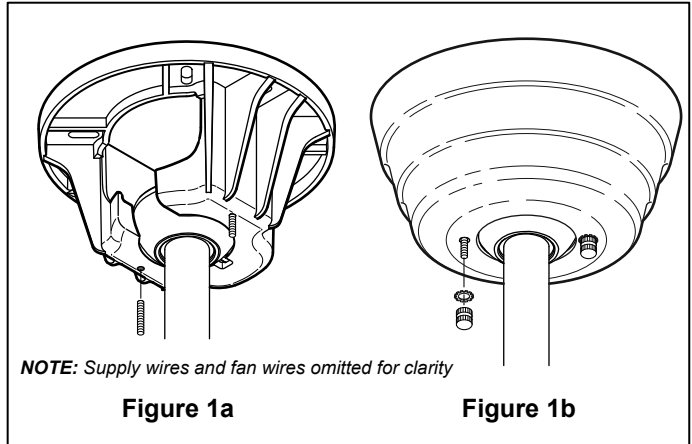
▲ WARNING

To avoid possible fire or shock, make sure that the electrical wires are completely inside the canopy housing and not pinched between the housing and the ceiling.

1. Screw in two threaded rods into the Hanger Bracket (Figure 1a).

NOTE: The threaded rods in the hanger bracket serves as guides for easier installation.

2. Securely attach the Canopy Housing to the Hanger Bracket using the external lockwashers and knurled knobs supplied with your fan (Figure 1b)



Assembling the Fan Blades

You will find the fan blade set packed in its own carton and the blade holders and hardware bag in the small hardware box in the fan box (FP240). The hardware bag for the blade holders consists of 16 screws and a Phillips head screwdriver.

INSTALLATION NOTE

Do not connect fan blades until the fan is completely installed. Installing the fan with blades assembled may result in damage to the fan blades.

PADKT Instructions: (PADKT Foam Pad Set is Supplied in PADxx Blade Set Cartons Only)

Foam Pads Must Be Attached to the Inside of the Blade Holder Prior to Inserting the Bamboo Blade as Shown (Figure 1)

NOTE: Peel the backing paper before attaching the foam pads

NOTE: Assemble with Handtools Only!

1. Lay side "A" of the blade holder on a flat surface with the inside of the blade holder facing up. This is the side with the threaded posts and pitched foot.

2. Position the palm leaf, or other blade over the blade holder with the threaded posts showing. Make sure the bottom edge of the blade is fully seated against the blade holder.

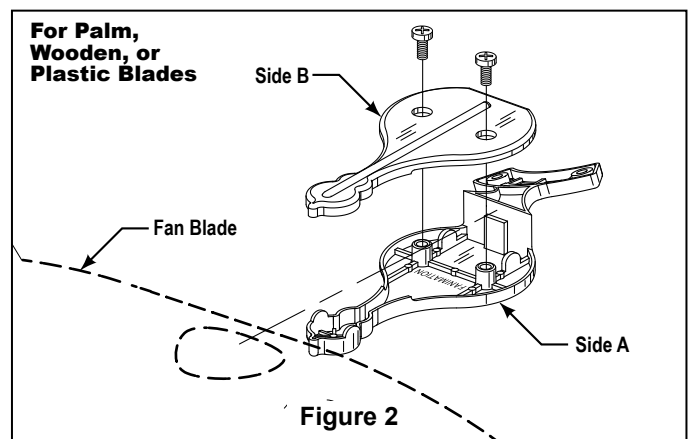
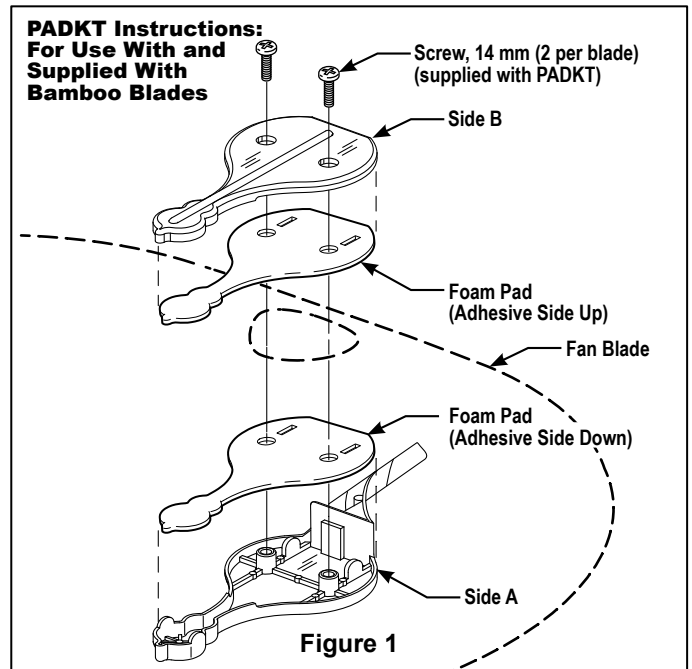
3. Place side "B" of the blade holder on top of the blade, positioning the holes over the threaded posts.

NOTE: Use screws provided in the blade mounting hardware bag (or in PADKT for Bamboo blades) only. (The blade mounting hardware bag includes the Fanimation screwdriver.)

4. With a Phillips screwdriver, thread both screws into the posts but do not fully tighten.

5. Prior to final tightening, position the centerline of the blade holder with the center of the end of the blade.

6. Tighten both screws to secure the blade. (Figure 2)



Blade Attachment

INSTALLATION NOTE

Attach the fan blades after hanging the fan body and wiring the fan to prevent blade breakage or damage.

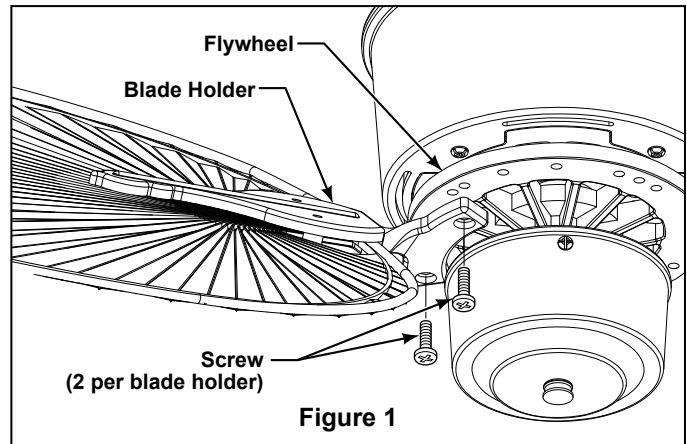
1. Blade holders come packed in two different bundles, one blade holder set is marked with a red dot (4 pcs) and one blade holder set is marked with white dot (4 pcs). These colored dots indicate which motor switch set-up (red or white dot) to attach these blade holders to.

2. Using the HDWBH240 (Blade Holder to Hub) screws attach the blade holders to the corresponding motor assembly which also will be switched with a white or a red dot.

NOTE: Assemble with Hand tools Only!

NOTE: When attaching blade holders to the rubber flywheel use the threaded holes marked with the number 4 (#4 holes are also marked with the square outline).

3. Make sure the screws securing the blade holders to the flywheel are tight and that the blade holders are properly seated on the flywheel (Figure 1).



INSTALLATION NOTE

Blade pitch is very important in the operation of your fan. Use blade holders and blade sets designed for the Palisade fan only.

Controlling Airflow Patterns

NOTE: Choose one of the following color code blade & switch set-up combinations for the desired airflow direction as shown.

INSTALLATION NOTE

This section is applicable after the fan and the blades are completely installed.

1. Note the locations of the color code on the blade arm and the reversing switch. (Figures 1a & 1b)

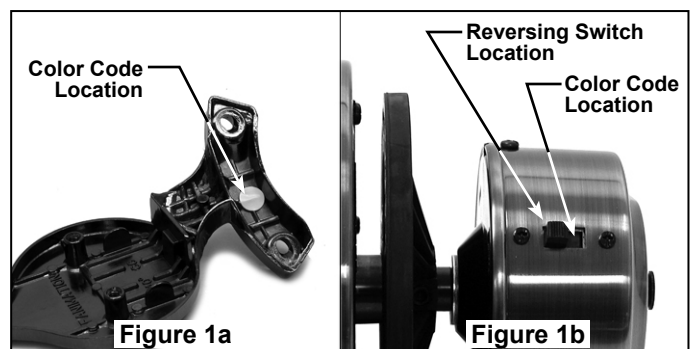


Figure 2:

Side A

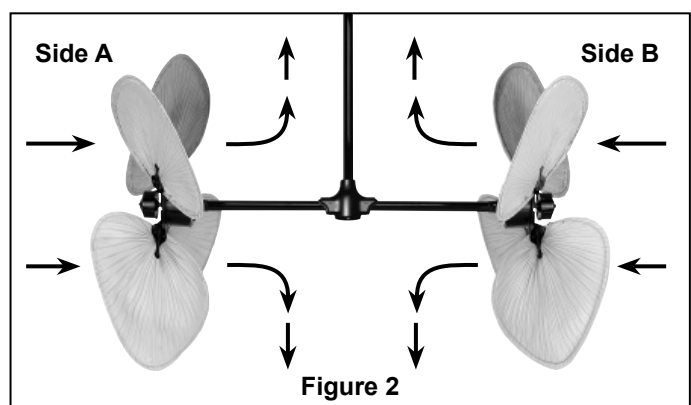
Reversing Switch Setting - with Red Dot

Blade Arm Set - with Red Dot

Side B

Reversing Switch Setting - with White Dot

Blade Arm Set - with White Dot



Controlling Airflow Patterns (cont'd)

Figure 3:

Side A

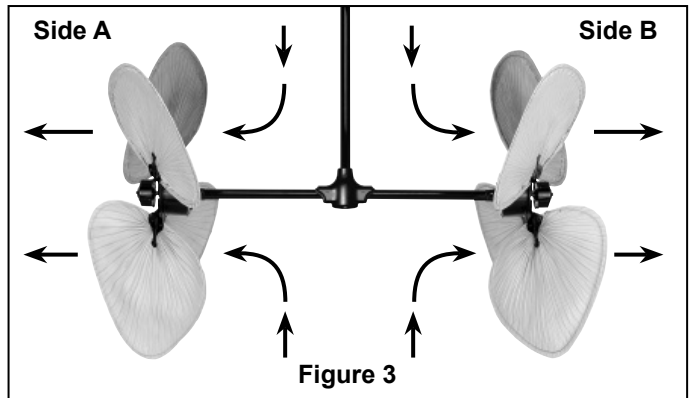
Reversing Switch Setting - with Red Dot

Blade Arm Set - with White Dot

Side B

Reversing Switch Setting - with White Dot

Blade Arm Set - with Red Dot



Maintenance

Periodic cleaning of your new ceiling fan is the only maintenance that is needed.

When cleaning, use only a soft brush or lint free cloth to avoid scratching the finish.

Abrasive cleaning agents are not required and should be avoided to prevent damage to finish.

CAUTION

Do not use water when cleaning your ceiling fan. It could damage the motors or the blades and create the possibility of electrical shock.

Blade Cleaning

Periodic light dusting of the Palm Leaf and Woven Bamboo blades is recommended. A feather duster will work best.

Avoid using water, cleansers, or harsh rags, which can warp and ruin the blades.

Trouble Shooting

▲ WARNING

For your own safety turn off power at fuse box or circuit breaker before trouble shooting your fan.

Trouble	Probable Cause	Suggested Remedy
1. FAN WILL NOT START	<ol style="list-style-type: none"> 1. Fuse or circuit breaker blown. 2. Loose power line connections to the fan, or loose switch wire connections in the switch housing. 3. Loose connection at motor assembly. 	<ol style="list-style-type: none"> 1. Check main and branch circuit fuses or circuit breakers. 2. Check line wire connections to fan and switch wire connections in the switch housings. <p>CAUTION: Make sure main power is turned off !</p> <ol style="list-style-type: none"> 3. Check that the plug between motor and horizontal tube assemblies is properly connected.
2. FAN SOUNDS NOISY	<ol style="list-style-type: none"> 1. Blades not attached to fan. 2. Loose screws in motor housing. 3. Screws securing fan blade holders to motor flywheel are loose. 4. Wire connectors inside housing rattling. 5. Motor noise caused by solid state variable speed control. 6. Screws holding blades to blade holders are loose. 7. Rubber flywheel set screw loose. 	<ol style="list-style-type: none"> 1. Attach blades to fan before operating. 2. Check to make sure all screws in motor housing are snug (not over-tight). 3. Check to make sure the screws which attach the fan blade holders to the motor flywheel are tight. 4. Check to make sure wire connectors in switch housing are not rattling against each other or against the interior wall of the switch housing. <p>CAUTION: Make sure main power is turned off !</p> <ol style="list-style-type: none"> 5. Some fan motors are sensitive to signals from solid-state variable speed controls. Solid-state controls are not recommended, choose an alternative control method. 6. Tighten screws securely. 7. Tighten set screw securely.
3. FAN WOBBLERS EXCESSIVELY	<ol style="list-style-type: none"> 1. Hanger bracket bolt holding the extension pole is loose. 2. Bolts holding the connecting harness to the extension pole are loose. 3. Screws securing fan blade holders to flywheel are loose. 4. Blade holders not seated properly. 5. Hanger bracket is not rigidly secured to a structural member. 6. Fan blades out of balance. 	<ol style="list-style-type: none"> 1. Tighten hanger bracket bolt. 2. Tighten bolts holding connecting harness to the extension pole. 3. Check to be sure screws which attach the fan blade holders to the flywheel are tight. 4. Check to be sure the fan blade holders seat firmly and uniformly to the surface of the flywheel. If holders are seated incorrectly, loosen the screws and retighten. 5. Check to see that the hanger bracket is secured to a structural member with the 5" lag bolt. The hanger bracket must be securely anchored and should not have any movement. 6. Interchanging an adjacent blade pair can redistribute the weight and result in a smoother operation. A heavy blade can also be identified by turning off the fan and seeing if one blade on one or both sides quickly drops to the down position. Trade out this blade with an adjacent blade or one of the complementary blades shipped in the blade set box.

Parts List

Model #FP240**

Ref. #	Description	Part #
1	Hanger Bracket Assembly	AHB2210
2	Hanger Ball Adapter Assembly	AP2235**
4	Extension Pole (purchased separately)	EP†_**
5	Canopy	PG160**
7	Horizontal Tube Assembly	ATA2215**
8	Motor Assembly (2)	AMA2220**
16	Blade Holder, Side A (white dot) (set of 4)	AP2405**
	Blade Holder, Side A (red dot) (set of 4)	AP2410**
	Blade Arm Cover, Side B (2 sets of 4)	AP24032**
	<i>Support Cable Bag Containing:</i>	
10	Ceiling Support Cable w/Cable Clamp	HWBSC240
11	3/8" Flat Washer (2)	
12	3/8" x 5" Lag Bolt (for Hanger Bracket)	
12a	3/8" x 2" Lag Bolt (for Support Cable)	
	<i>Mounting Hardware Bag Containing:</i>	
3	1/4"-20 x 1/2" Screw (4)	HDWFP240
6	5/32"-32 x 1" Threaded Rods (2)	
	5/32" External Lockwasher (2)	
	5/32"-32 Knurled Knobs (2)	
22	Allen Wrench (5 mm)	
23	3/8" x 2" Lag Bolt	
9	Motor Mounting Screw (6)	
13	1/4"-20 x 2 3/16" Cap Head Bolt (2)	
14	1/4"-20 Nylon Lock Nut (2)	
20	Wire Connectors (4)	
	<i>Blade to Hub Mounting Hardware Bag:</i>	
17	10-32 x 1/2" Phillips Screws (17 pc)	HDWBH240
	<i>Blade Cover Mounting Hardware Bag:</i>	
18	3/16"-24 x 3/8" Phillips Screws (17 pc)	HDWBM240
19	Phillips Screwdriver	
21	Wall Control, 2-speed	C3

†Include Length

**Insert Finish Code (Refer to fan model number located on fan motor assembly)

Before discarding packaging materials, be certain all parts have been removed

How To Order Parts

When ordering repair parts, always give the following information:

- Part Number
- Part Description
- Fan Model Number

Contact your retail store for repair parts.

The Palisade® FP240** Exploded-View

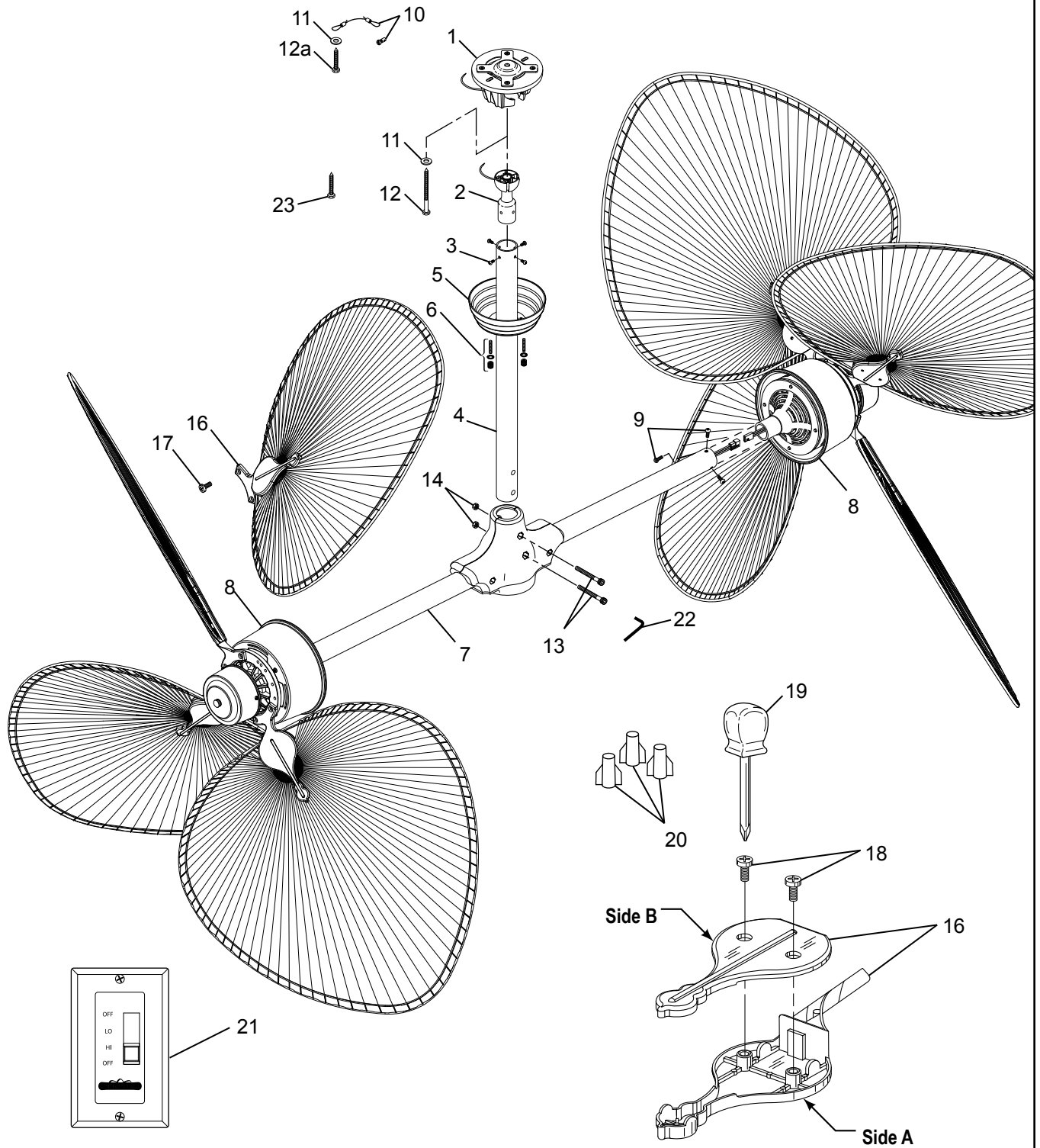


Figure 1

NOTE: The illustration shown is not to scale or its actual configuration may vary, wires omitted for clarity.



**10983 Bennett Parkway
Zionsville, IN 46077
(888) 567-2055**

**FAX (866) 482-5215
Outside U.S. (317) 733-4113**

Visit Our Website www.fanimation.com