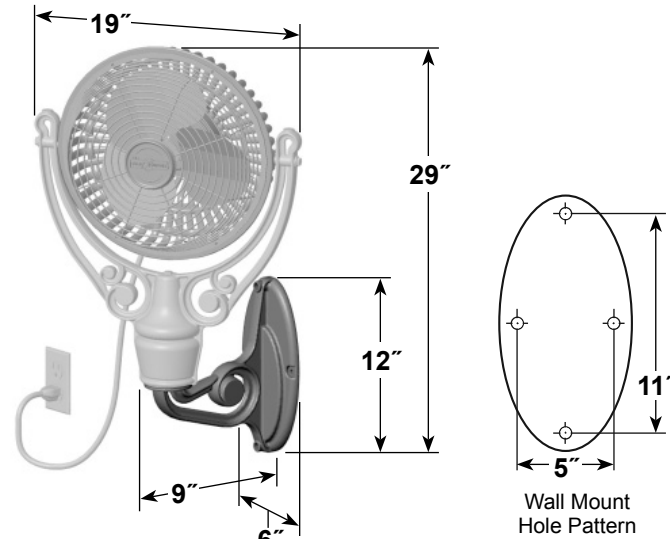


## FPH61\*\* – Wall Mount Accessory Unit



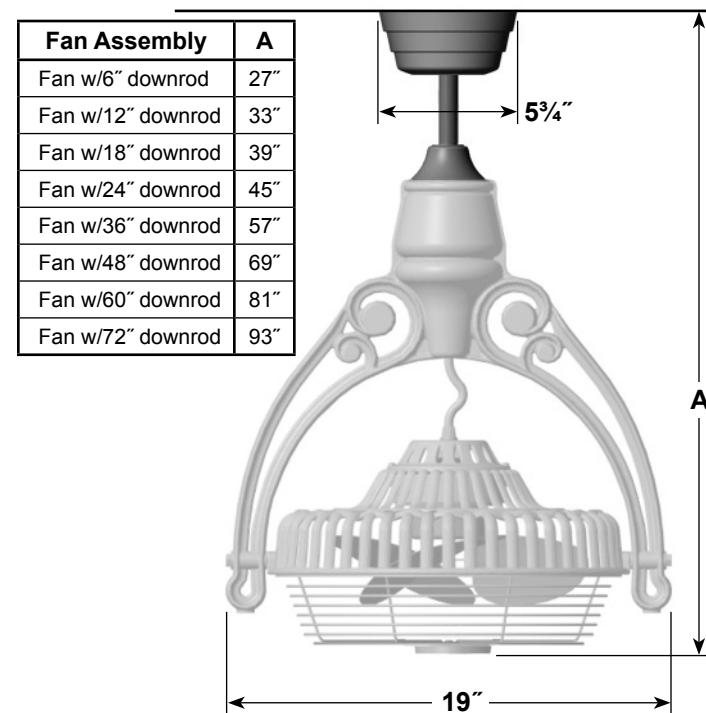
- Weight 27 lbs (assembled)
- Die Cast Construction
- Includes Mounting Hardware
- Wall and Remote Control not available
- Priced and Sold Separately

### \*\*Wall Unit Available Finishes

FPH61BL	Black (Damp)
FPH61RS	Rust (Damp)

Dimensions shown in inches

## FPH81\*\* – Ceiling Accessory Unit



- Weight 22 lbs (assembled)
- Includes 6" Downrod (longer downrods sold separately)
- Will operate with CH4 Remote Control and CH1 (CH1V-Ivory) Wall Control (sold separately)
- Includes Mounting Hardware
- Attaches to electrical junction box
- Priced and Sold Separately

### \*\*Ceiling Unit Available Finishes

FPH81BL	Black (Damp)
FPH81RS	Rust (Damp)

### Controls (for use with Ceiling Unit)

Catalog #	Description
CH1	Wall Control
CH1V	Wall Control (Ivory)
CH4	Hand-held Remote

Dimensions shown in inches



10983 Bennett Parkway  
Zionsville, IN 46077

Toll Free (888) 567-2055

FAX (866) 482-5215

Outside U.S. call (317) 733-4113

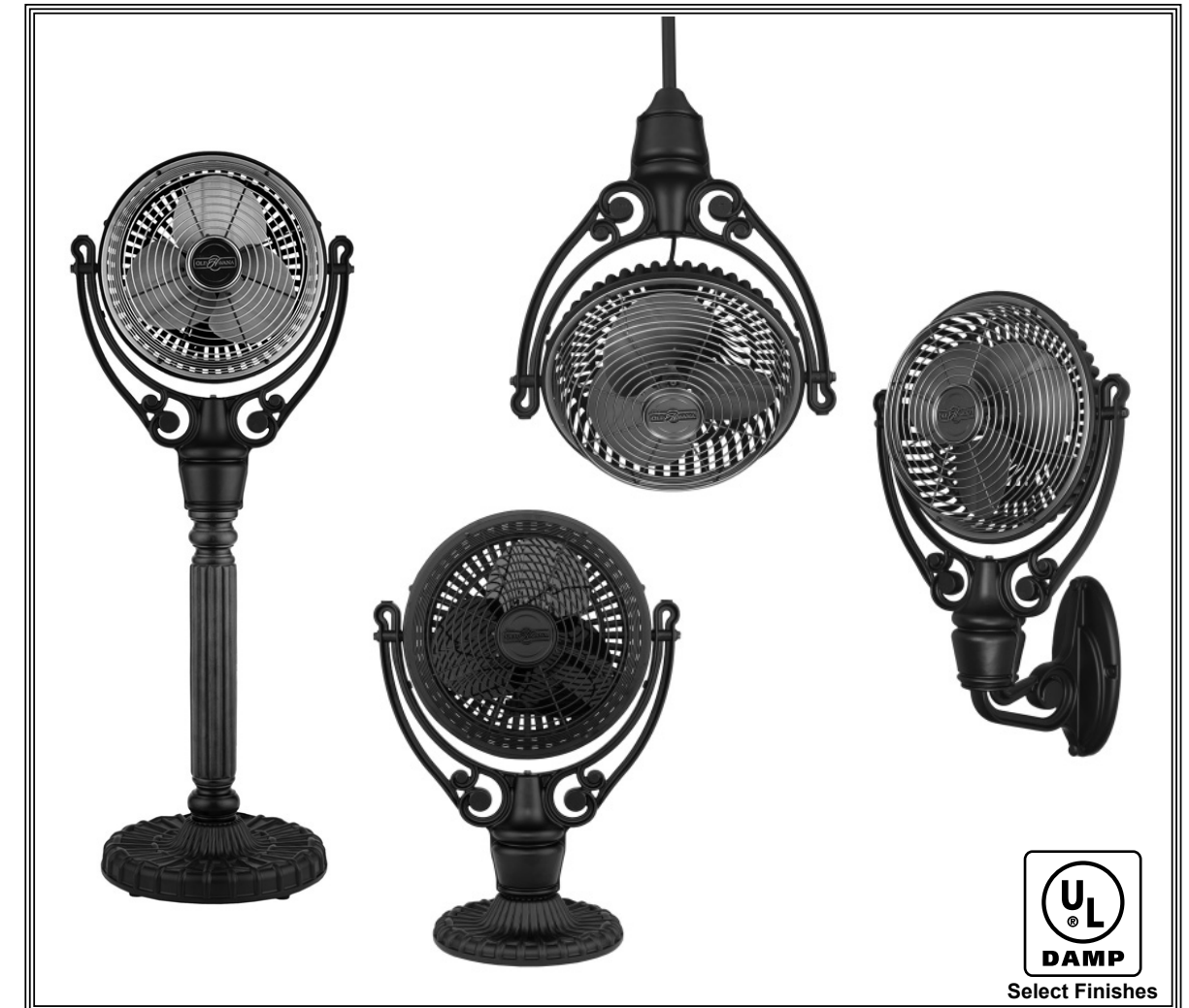
Visit Our Website [www.fanimation.com](http://www.fanimation.com)



Copyright 2007 Fanimation, Inc.

2007/12

# The Old Havana<sup>®</sup> Series Fans

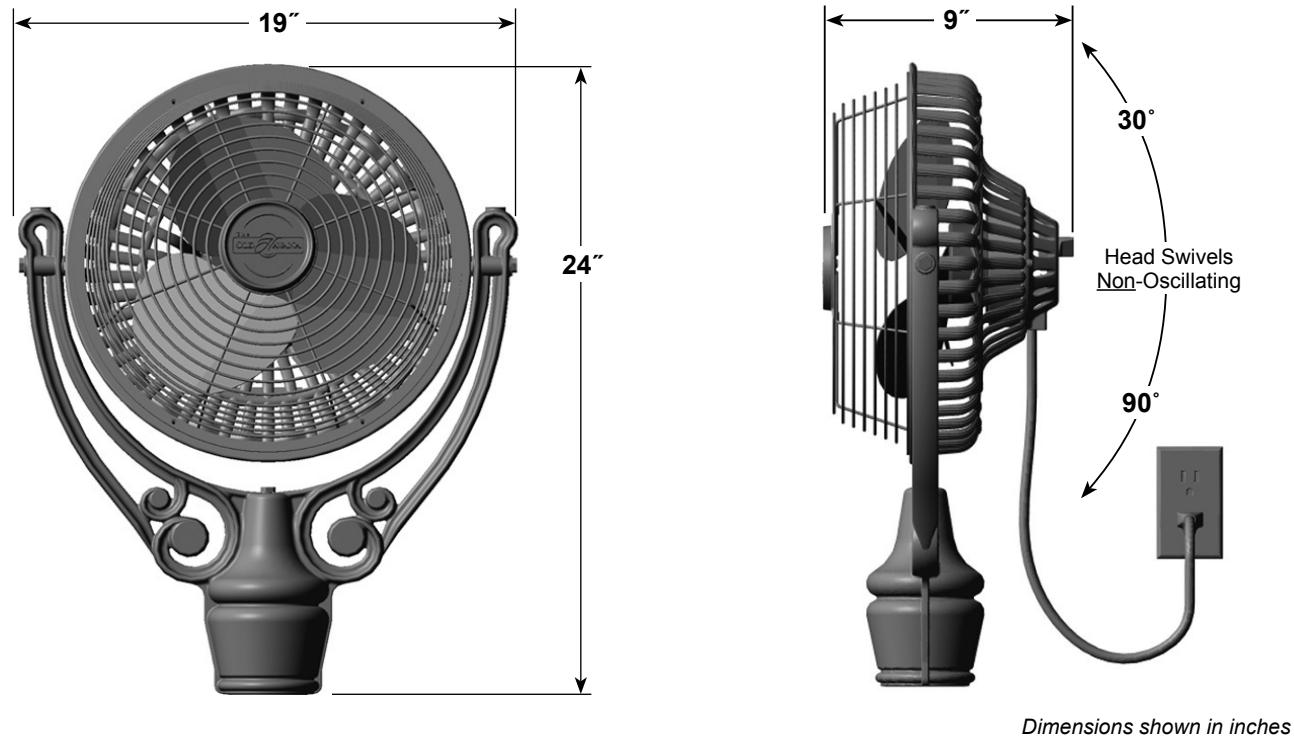


## SPECIFICATION SHEET



Product Specifications subject to change

# The Old Havana® FPH210\*\* – Motor Assembly Unit



Dimensions shown in inches

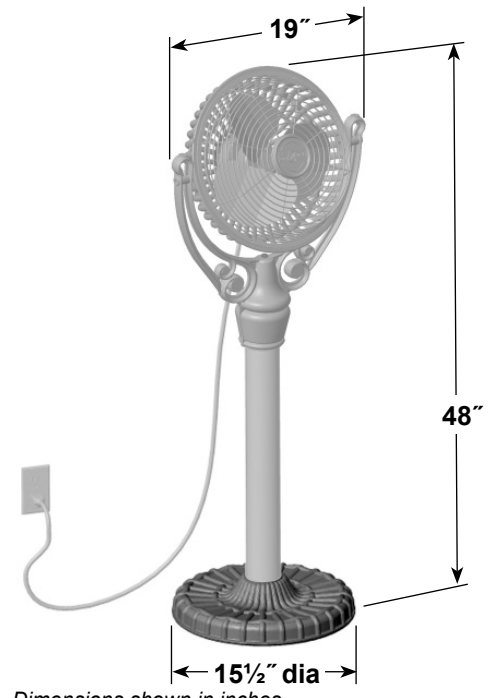
Motor Unit Specifications
120 volt, 60 Hz, 0.75 amps
Die Cast Construction, Non-Oscillating*
8 ft power cord included
RPM: Low-350; Med-570; High-1350
Weight 19 lbs
220VAC, 50 Hz export version available

**Motor Unit Available Finishes	
FPH210AC	Antique Copper (Grill, Logo & Blade)
FPH210BL	Black (Damp)
FPH210PW	Pewter (Grill, Logo & Blade)
FPH210RS	Rust (Damp)

\*NOTE: Fan Head does **NOT** oscillate

**PRODUCT MOUNT DESCRIPTION**  
The Motor Assembly Unit (FPH210\*\*) is priced and sold separately from the four different mounting systems (Ceiling, Floor/Desk, Wall, or Pedestal) and other accessory items.

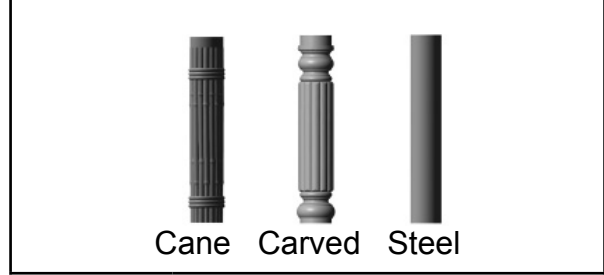
# FPH21\*\* – Pedestal Base Accessory Unit



Dimensions shown in inches

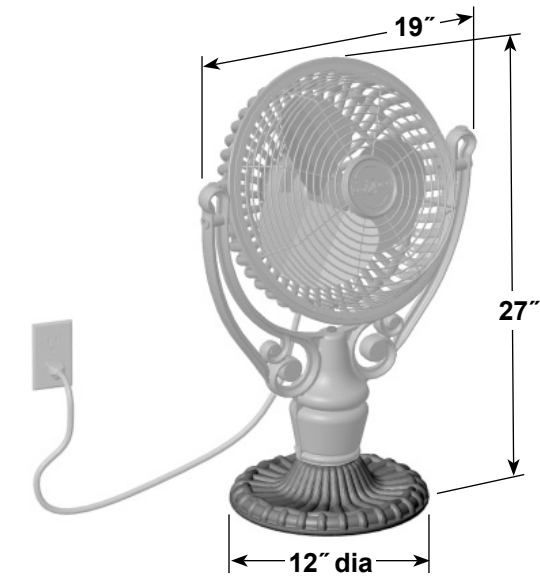
- Weight 29 lbs (assembled)
- Die Cast Construction
- Includes Mounting Hardware
- Wall and Remote Control not available
- Priced and Sold Separately

**Pedestal Unit Available Finishes	
FPH21BL	Black (Damp)
FPH21RS	Rust (Damp)



Custom Column Available Finishes (priced & sold separately)	
FPH70BL	Black (Damp)
FPH70CP	Carved Post
FPH70CW	Cane Wrapped

# FPH41\*\* – Floor/Desk Base Accessory Unit



Dimensions shown in inches

- Weight 25 lbs (assembled)
- Die Cast Construction
- Includes Mounting Hardware
- Wall and Remote Control not available
- Priced and Sold Separately

**Floor/Desk Unit Available Finishes	
FPH41BL	Black (Damp)
FPH41RS	Rust (Damp)