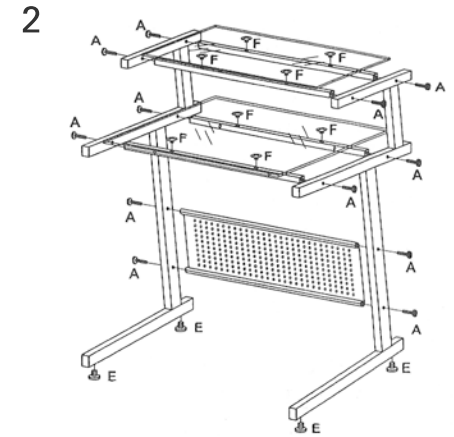
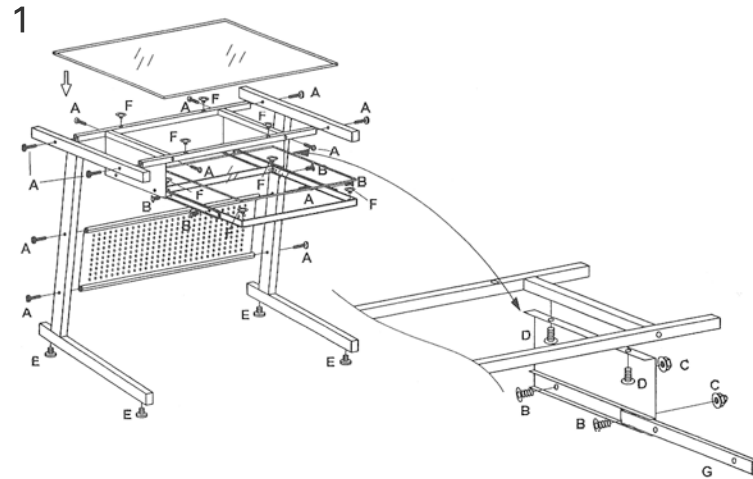




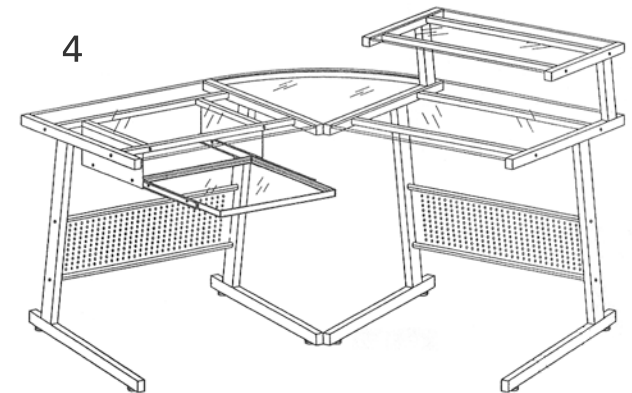
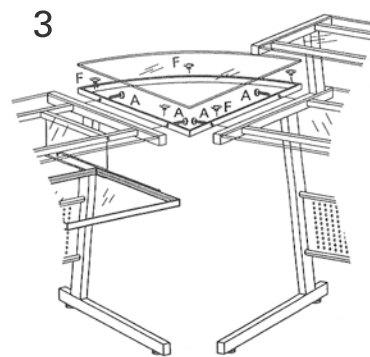
**PLEASE NOTE:** Check that you have received all components and hardware before assembling. If you are missing any parts, contact your retailer, or fax Euro Style at 415-455-8033.

# Assembly Instructions

## L Desk with Keyboard Tray



- A. 24 PCS
- B. 5/32 X 10mm 8 PCS
- C. 5/32 4 PCS
- D. 4 PCS
- E. LARGE 8 PCS
- F. 21 PCS
- G. 1 SET
- H. SMALL 2 PCS
- 1 PCS



During assembly, **hand tighten** screws only. When all screws are in place, then tighten completely.