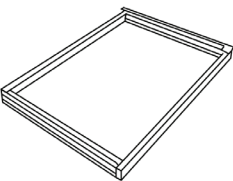








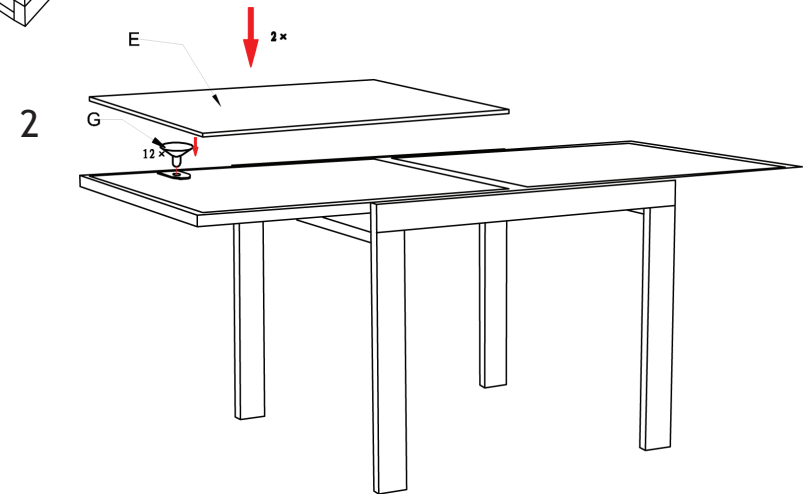
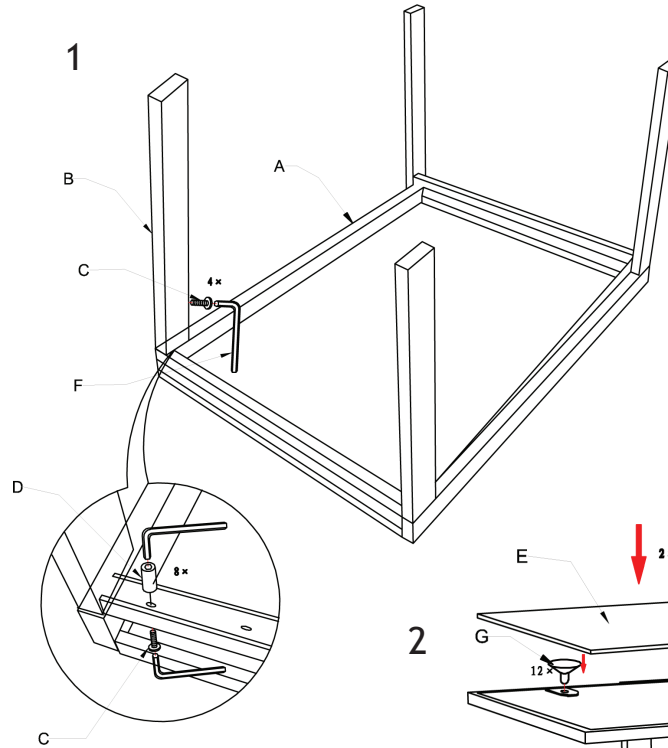
eurow style

Assembly Instructions Duo Square

PLEASE NOTE: Check that you have received all components and hardware before assembling. If you are missing any parts, contact your retailer, or fax Euro Style at 415.455.8033.



- A  1 pc
- B  1 pc
- C  12 pcs
- D  8 pcs
- E  2 pcs
- F  2 pcs
- F  12 pcs



During assembly, hand tighten screws only. When all screws are in place, then tighten completely.