

euro style

Assembly Instructions Ballard Shelving

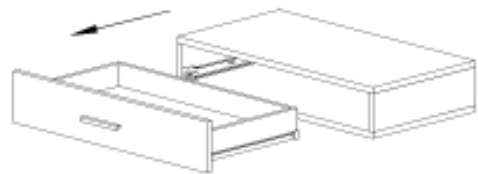


PLEASE NOTE: Check that you have received all components and hardware before assembling. If you are missing any parts, contact your retailer, or fax Euro Style at 415.455.8033.

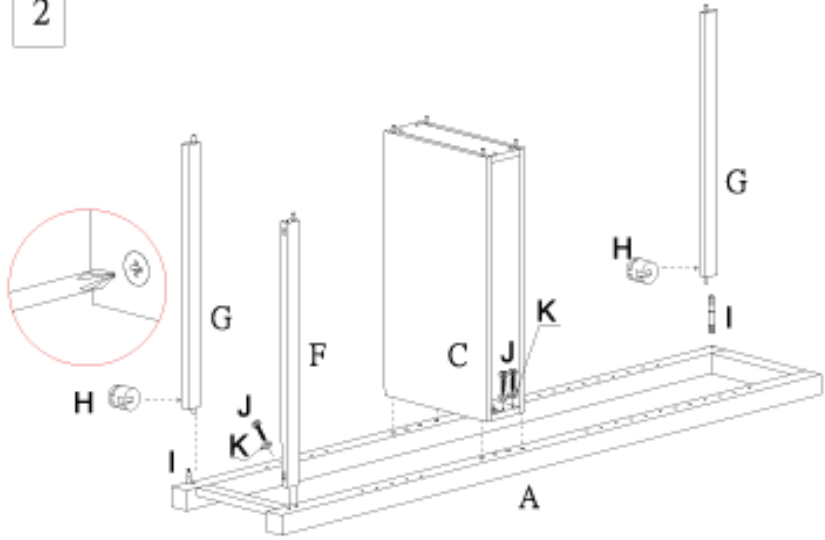
A		1 pc	B		1 pc	C		1 pc			
D		1 pc	E		5 pcs	F		1 pc	G		2 pcs
H		4 pcs	I		4 pcs	J		10 pcs	K		10 pcs
L		36 pcs	M		16 pcs	N		4 pcs	O		1 pc

During assembly, hand tighten screws only. When all screws are in place, then tighten completely.

1



2



3

