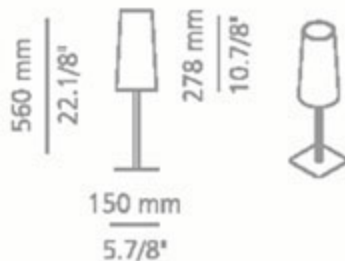
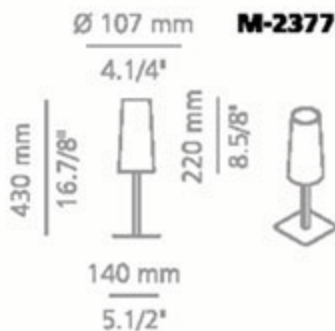


M**2377**
2378**22 CH**
37 NI
38 S GRAY
opal glass**Ø 140 mm** **M-2378**

5.1/2"

150 mm
5.7/8"Ø 107 mm
4.1/4"
220 mm
8.5/8"
140 mm
5.1/2"**M-2377****CE****IP**
20**M-2377****>1960°C**Halogen/Incandescent 100 w
(230 v) BT opal E27
(120 v) A lamp medium base**M-2378****>1960°C**Halogen/Incandescent 100 w
(230 v) BT opal E27
(120 v) A lamp medium base

(1) USA N.A. - (2) ONLY USA