

A-2531  
A-2532



Halogen wall sconce providing direct and indirect light. \*Bottom opal glass diffuser.

Aplique halógeno con luz directa e indirecta. \*Cristal opal difusor en la parte inferior.

22 CR | 37 NI \*

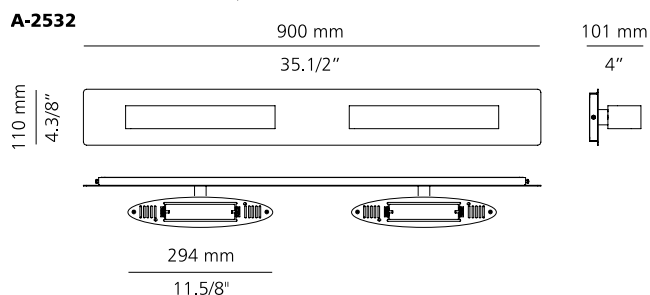
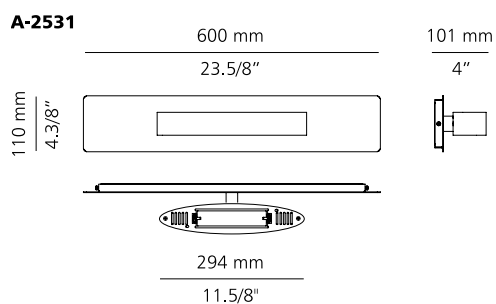


A-2531

Up to 1 x 150W T3 118mm R7s base 120V 

A-2532

Up to 2 x 150W T3 118mm R7s base 120V 



see finishes  
in page 236

