


### Highlights

- *Constant Force (CF™) patented lift-and-pivot motion technology produces smooth adjustment* 
- *Position your LCD or TV for maximum comfort and productivity*
- *Weight capacity adjusts to hold 5–20 lbs (2.3–9.1 kg)*
- *13" (330 mm) vertical range ergonomically meets the eye height of more than nine out of ten adults*
- *Allows monitor to be rotated for portrait/landscape viewing*
- *Upgrade LCDs with improved ergonomic adjustability*
- *Internal cable management routes cables neatly under arm*
- *Easily attaches to LCDs that are VESA® MIS-D, 100/75, C compliant*

# Ergotron® LX

## Desk and Wall Mount LCD Arms



### More motion. Less effort. Feel the difference.

Ergotron's LX LCD Arms include Constant Force (CF™) patented lift-and-pivot motion technology. With a light touch of your hand you can easily lift, swing, tilt or turn your display.

- Increase viewing comfort—help reduce eye, back and neck strain
- Reposition your display with just a touch
- Excellent price performance
- Arm extends/retracts LCD up to 24" and 33" when a second extension is used—push it back out of the way
- Wall Mount or Desk Mount installation

The LX LCD Arm is the perfect desk or wall mount accessory to add flexibility and superior ergonomics to your LCD monitor or TV. Sleek and streamlined, it frees up space and allows you to easily position your display for greater productivity. It's ideal for home and office use, especially in situations where several people use the same display.



Patented CF lift-and-pivot motion technology is utilized in display pivot and body of arm.

The LX LCD Arm is compatible with displays that are VESA MIS-D compliant. Simply remove existing base of the display, match up hole pattern (75 or 100 mm) and attach display to the LX with four screws. (LX Arm shown in white.)

Screen height, viewing angle and viewing distance are all easily adjusted for each user.

Cables are guided along underside of arm for a clutter-free work area.

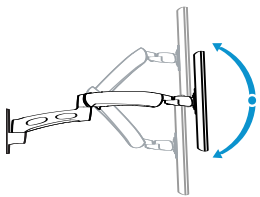
Desk clamp base uses little space yet ensures stability even as display is adjusted. Attach Arm at any height on pole. (LX Arm shown in black.)

Adjustment range of the LX Arm allows LCD to be lowered into a position that is comfortable for people wearing bifocals or using a tablet PC (at left, LX Arm mounted on Ergotron Wall Track).

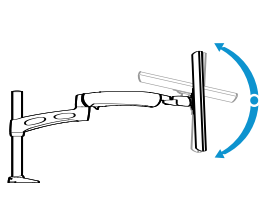
LX LCD Arm can be used without its extension or with a second 9-inch extension.



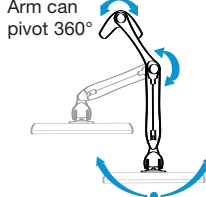
## Range of Motion



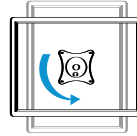
13" (330 mm) height range



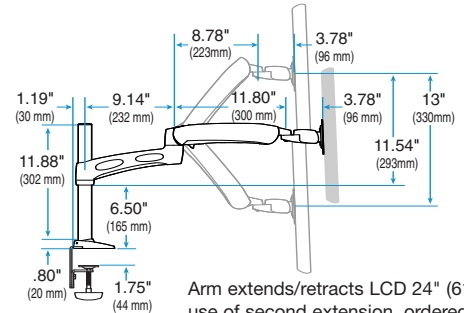
LCD tilts +5/-75° forward/back



LCD pans 180° right/left



LCD rotates 90° portrait/landscape



Arm extends/retracts LCD 24" (610 mm); use of second extension, ordered separately, extends Arm 33" (838 mm)

## Basic Specifications

**Descriptions:**  
**LX Desk Mount LCD Arm**  
 Commercial Part Number: 45-179-194 (silver), model LXD13M1S  
 45-179-195 (black), model LXD13M1B

**LX Wall Mount LCD Arm**  
 Commercial Part Number: 45-180-194 (silver), model LXW13M1S  
 45-180-195 (black), model LXW13M1B  
 45-180-196 (white), model LXW13M1W

**LX Extension**  
 Commercial Part Number: 45-189-194 (silver)  
 45-189-195 (black)  
 45-189-196 (white)

**Weight Capacity:** 5–20\* lbs (2.3–9.1 kg)

\* System weight capacity is reduced by using two extensions. See installation manual or [ergotron.com](http://ergotron.com) for details.

**Shipping Weight:** 11 lbs (5 kg)

**Warranty:** 5 year

### Attachment Options:

- Desk Mount (clamp and grommet bases included): clamp to surfaces 1/2–1-7/8" (12.7–47.6 mm) thick or grommet mount through holes 5/16–2" (7.9–51 mm) wide and up to 2-1/2" (63.5 mm) thick.
- Wall Mount: attach directly to sturdy vertical surface. Wall track or wall plate recommended (order separately).

### Display Interface Options:

- VESA FDMI MIS-D, 100/75, C (hole pattern: 100 x 100 mm & 75 x 75 mm)

