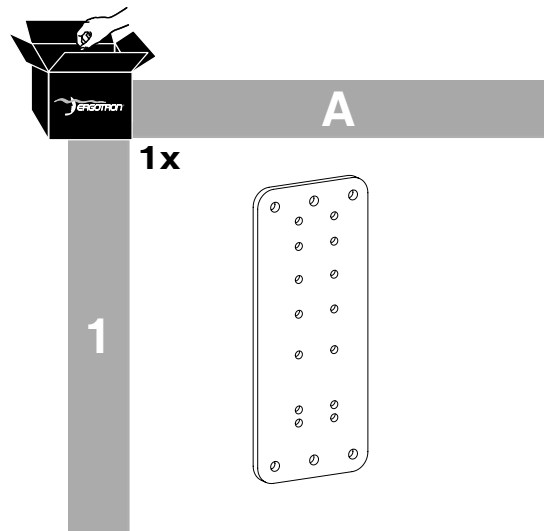
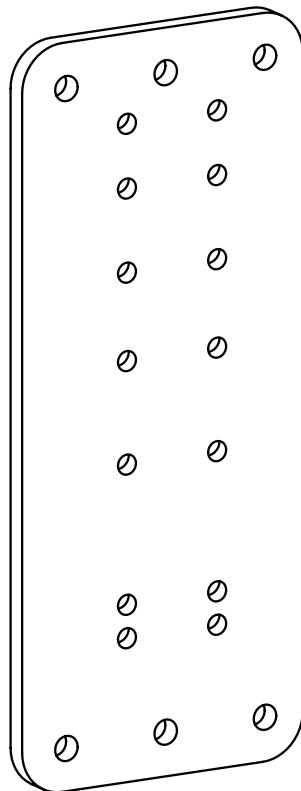


## Wall Mount Bracket Kit

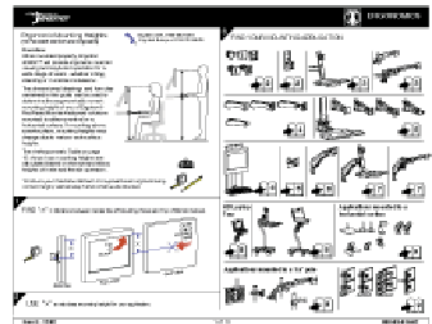
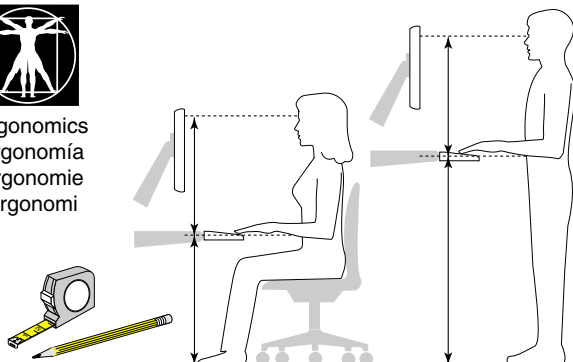
Ergotron USA 1-800-383-1916  
Ergotron Europe +31 20 312.29.39



**1**

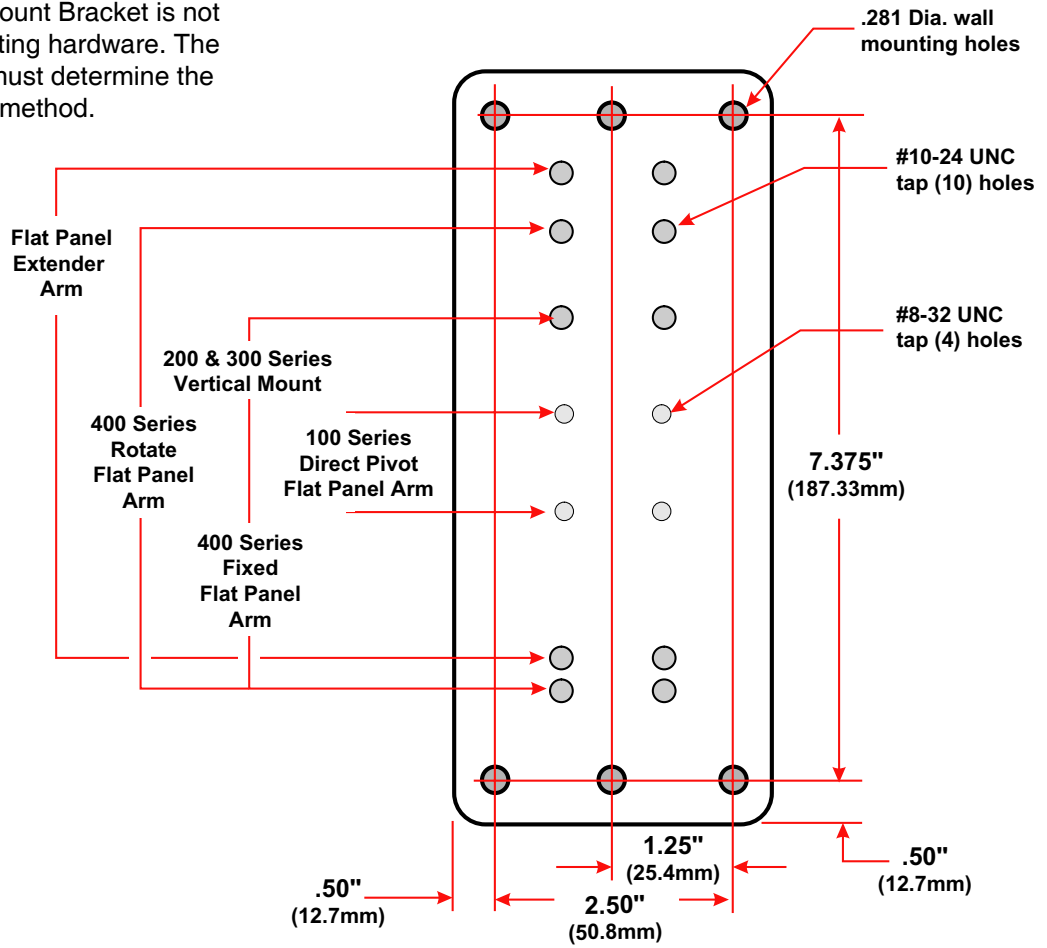


Ergonomics  
Ergonomia  
Ergonomie  
Ergonomi

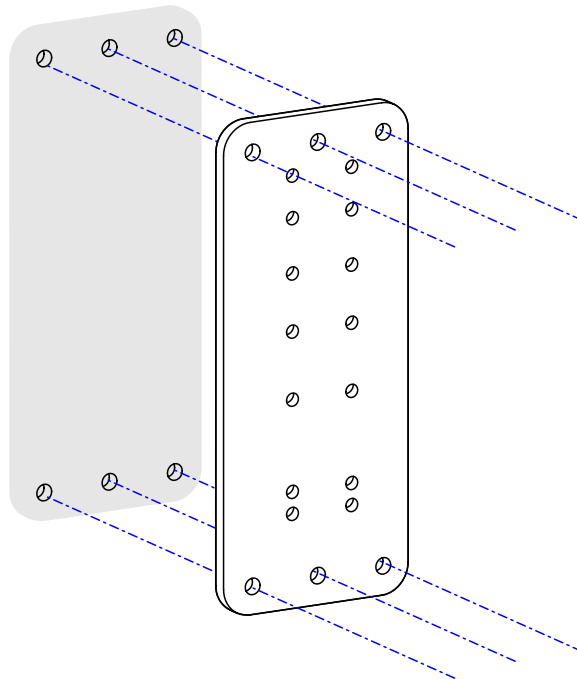


**888-99-014**

NOTE: The Wall Mount Bracket is not shipped with mounting hardware. The building engineer must determine the proper attachment method.

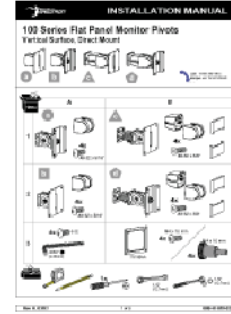
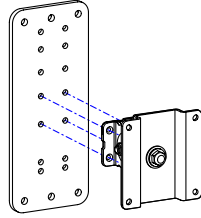


**WARNING:** The Ergotron Wall Mount Bracket must be securely attached to your wall. Because wall construction varies widely and your ultimate mounting method is out of Ergotron's control, it is imperative that you consult with appropriate local engineering, architectural, or construction personnel to ensure that the Wall Mount Bracket is mounted properly to handle applied loads.



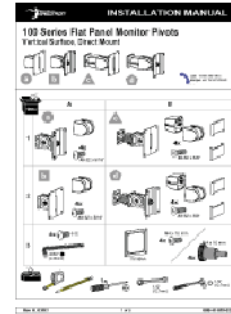
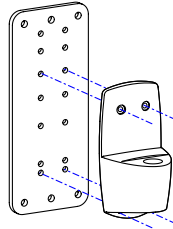
3

### 100 Series Direct Pivot



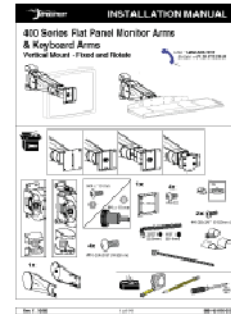
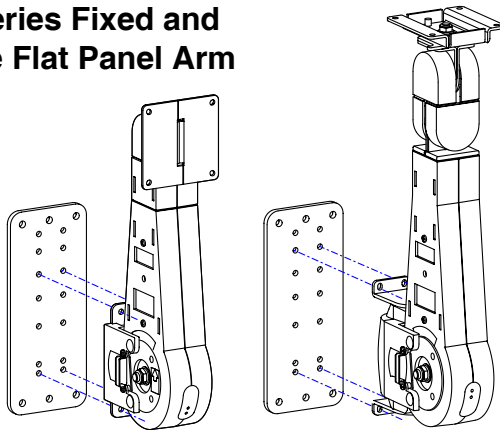
888-47-019

### 200/300 Series Vertical Mount



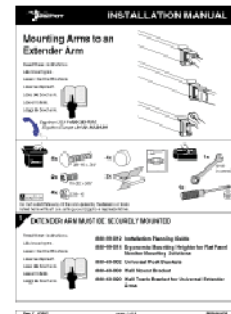
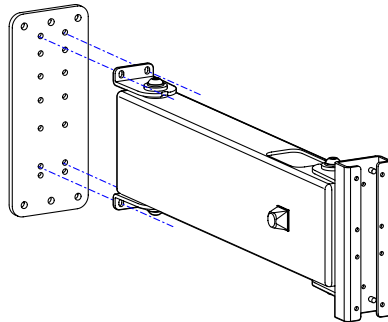
888-60-070

### 400 Series Fixed and Rotate Flat Panel Arm



888-45-016

### Flat Panel Extender Arm



888-44-024



1181 Trapp Road • St. Paul, MN 55121  
800-383-1916 • In Minnesota: 651-681-7600  
Fax: 651-681-7717 • www.ergotron.com

Patents Pending and Patented U.S. & Foreign.

Ergotron is a registered trademark of Ergotron, Inc.  
Reproduction of this material in whole or part for any purpose other than  
that authorized by Ergotron, Inc. is prohibited.  
© 2003 Ergotron, Inc. All rights reserved.