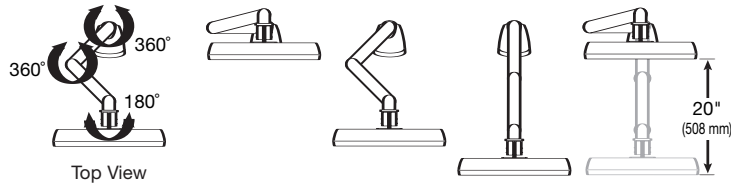


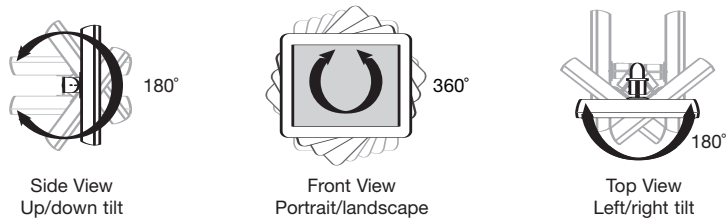
fixed height pivots and extensions

Rotation...

- Telescopic motion

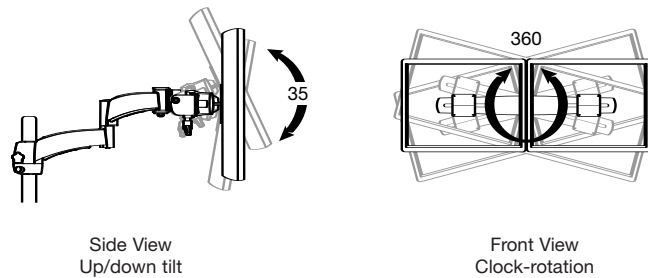


Monitor Pivot...

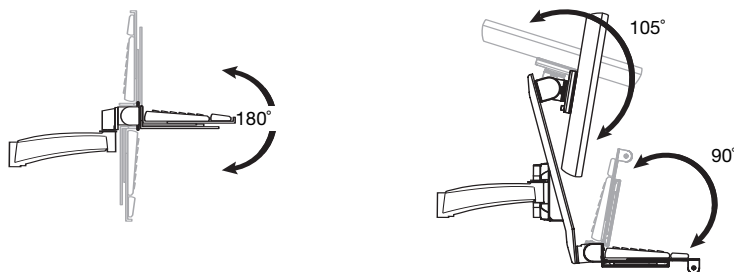


Bow Pivot...

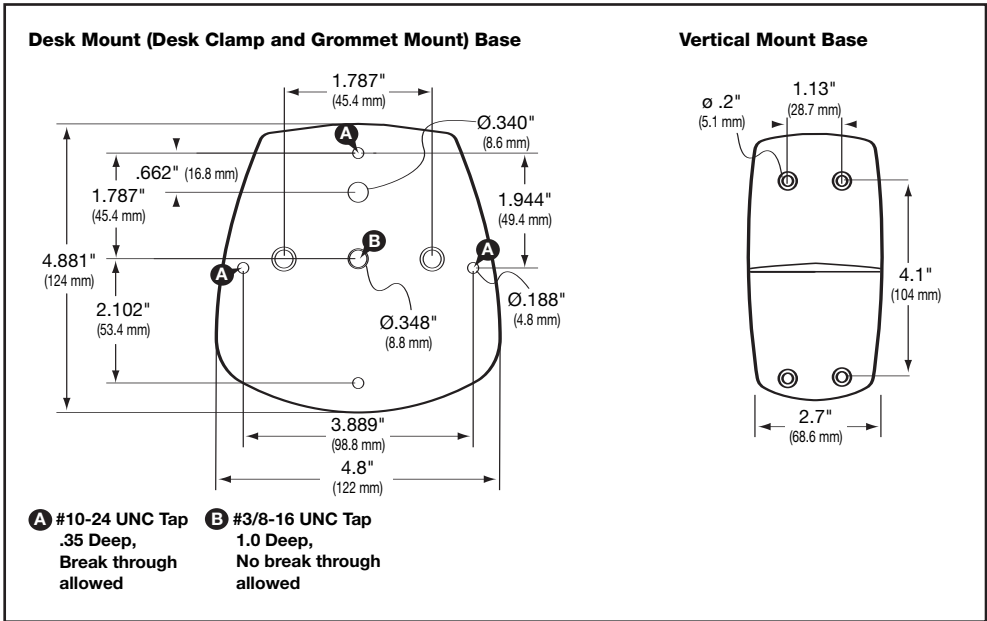
- Up/down tilt controlled by adjustment lever: +25°/-10°
- Portrait/landscape motion available with single-arm configurations only



Keyboard/Laptop and Combo Pivots...



200 SERIES



WALL MOUNT PLATE

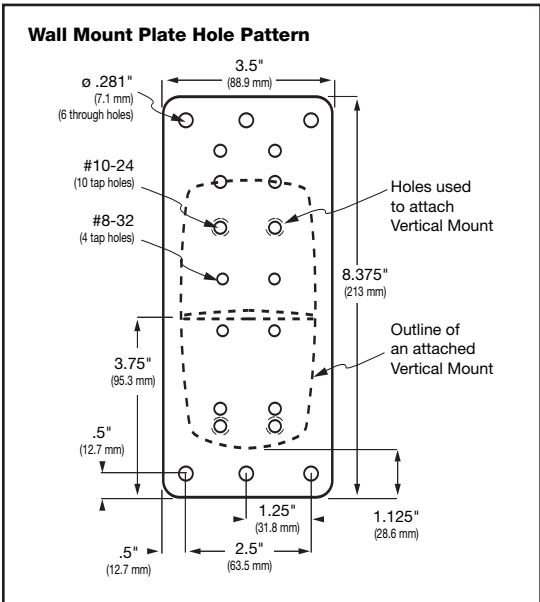


TABLE A: Weight Capacity When Adding Extensions

When adding Extensions to a 200 Series system, use the formula below to calculate the maximum allowable load:

D x L = maximum inch-lbs (not to exceed 900)

Distance (D) = The measurement in inches on a horizontal plane from the center-line of the mounting bracket to the center-of-gravity (C/G) of the monitor.

Load (L) = The weight in pounds of the monitor.

Example:

Monitor weighing 25 lbs using three 9" Extensions and a Single Pivot with P/L.

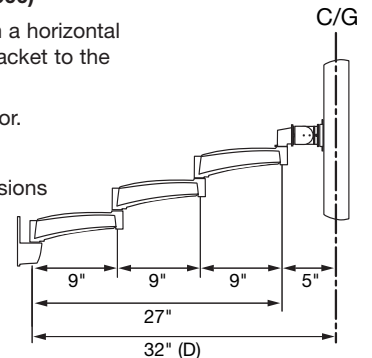
Therefore:

$D = (3 \times 9") + 5" = 32"$

$L = 25 \text{ lbs}$

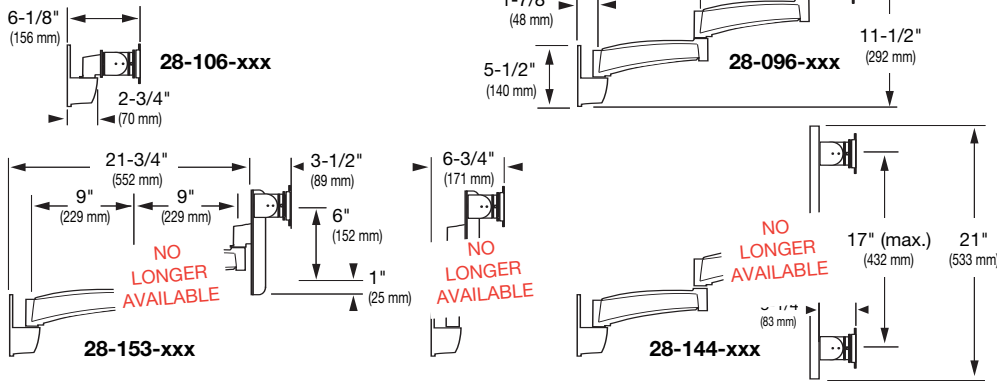
$32" \times 25 \text{ lbs} = 800 \text{ inch-lbs}$

As 800 is less than 900, your component can be used in this configuration.

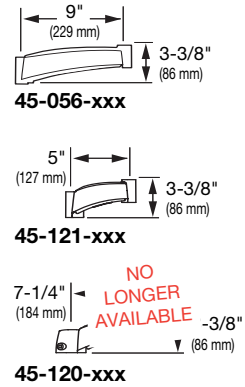


200 SERIES

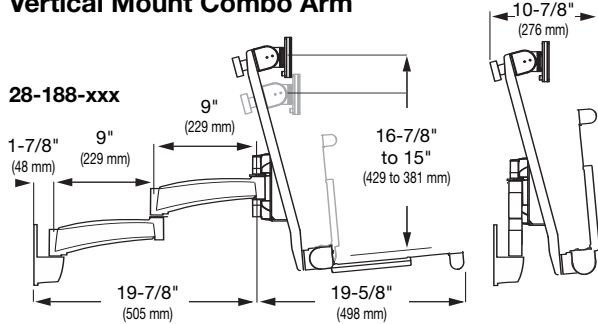
Vertical Mount Monitor Arms



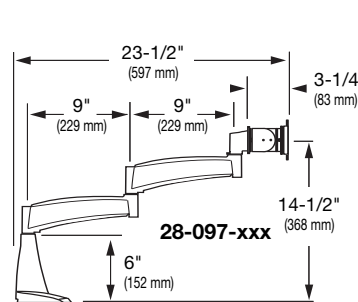
Extensions



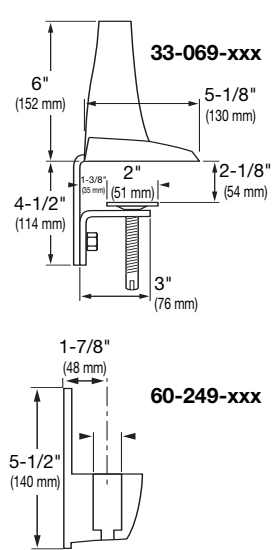
Vertical Mount Combo Arm



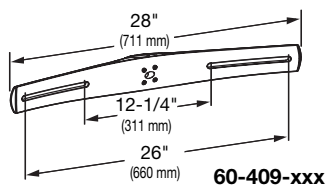
Desk Mount Monitor Arm



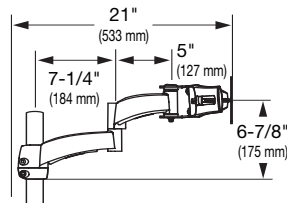
Mounts



Crossbar



Miscellaneous Slatwall Config.



Attention:

Listed allowable widths assume monitor thickness is 4" (102 mm). If monitor thickness is less, allowable width may be more. Contact Ergotron for details.

200 Series Pre-configurations that use Crossbars come standard with Sliding Pivots (i.e., without P/L).

Available Monitor Widths Using Crossbars

Number of Monitors (Horizontal Crossbar)	Sliding Pivots Allowable Monitor Width*	Single Pivots w/ P/L Allowable Monitor Width*
Dual-Monitor (28" Crossbar)	23-1/4" (590 mm)	23" (584 mm)
Triple-Monitor (46" Crossbar)	20" (508 mm)	19-1/2" (495 mm)
Triple-Monitor (55" Crossbar)	24-1/2" (622 mm)	24" (609 mm)
Quad-Monitor (55" Crossbar)	16" (406 mm)	15-1/2" (393 mm)

* Width refers to monitor's physical outside dimension – not screen size.

