

**Contemporary Gourmet
Double Bowl with Ribbed Area
18 Gauge - Type 302 - Self Rim
Model ILCGR-5322-R**



SPECIFICATIONS

GENERAL

Highest quality. Sink bowls and integral ribbed area seamlessly drawn of #18 gauge, type 302 (18-8) nickel bearing stainless steel. Self-rimming.

DESIGN FEATURES

Bowl Depth: 8" (Left Bowl), 6-7/16" (Right Bowl).
 Bowl and Ribbed Area Recessed: 1/2" below outside edge of sink.
 Finish: Exposed surfaces are hand blended to a lustrous highlighted Lasting Beauty satin finish.
 Underside: Fully protected by heavy duty Sound Guard undercoating to prevent condensation and deaden sound.

OTHER

Drain opening: 3-1/2".

OPTIONAL ACCESSORIES

Rinsing Baskets: LKRB-1614 and LKERB-SS.
 Cutting Board: CBT-2213.
 Colander: LC-1412.

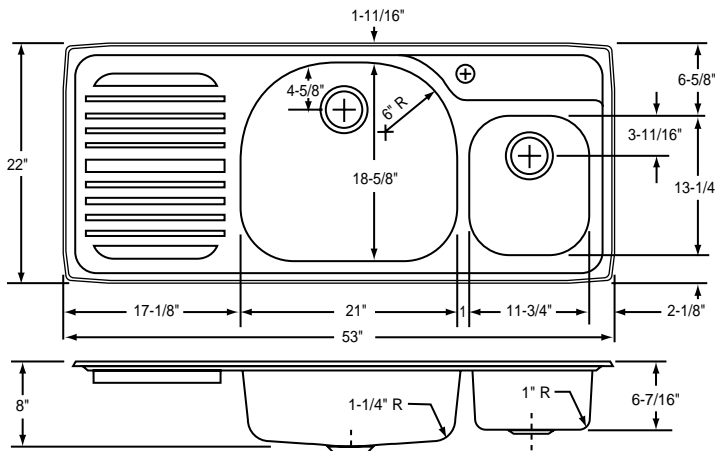
These sinks comply with ANSI Standard A112.19.3m.



These sinks are listed by the International Association of Plumbing and Mechanical Officials as meeting the requirements of the Uniform Plumbing Code.

SINK DIMENSIONS

Model Number	DIMENSIONS IN INCHES												Ship. Wt. Lbs.
	Length is left to right. Width is front to back.												
	Overall		Inside Each Bowl				Ribbed Area Length	Cutout in Countertop (1 1/2" Radius Corners)		No. of 1 1/2" Dia. Faucet Holes			
L	W	L	W	D	L	W		D					
ILCGR-5322-R1	53	22	21	18 5/8	8	11 3/4	13 1/4	6 7/16	17 1/8	52 3/8	21 3/8	1	40
ILCGR-5322-R2	53	22	21	18 5/8	8	11 3/4	13 1/4	6 7/16	17 1/8	52 3/8	21 3/8	2	40
ILCGR-5322-RS2	53	22	21	18 5/8	8	11 3/4	13 1/4	6 7/16	17 1/8	52 3/8	21 3/8	2	40
ILCGR-5322-R3	53	22	21	18 5/8	8	11 3/4	13 1/4	6 7/16	17 1/8	52 3/8	21 3/8	3	40
ILCGR-5322-R4	53	22	21	18 5/8	8	11 3/4	13 1/4	6 7/16	17 1/8	52 3/8	21 3/8	4	40

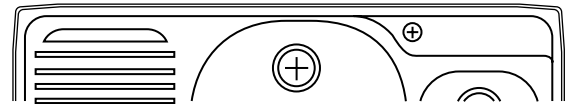


Model ILCGR-5322-R1 Illustrated

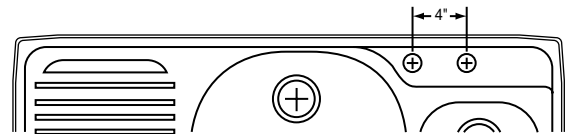


Model ILCGR-5322-R2 Shown

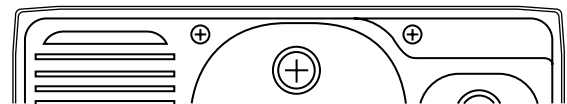
ALL FAUCET HOLES ARE 1-1/2" DIAMETER



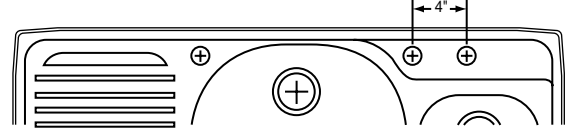
(ONE FAUCET HOLE CONFIGURATION)
Model ILCGR-5322-R1



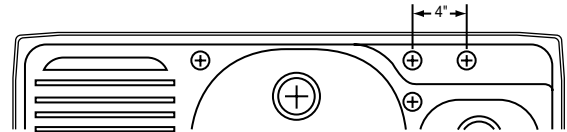
(TWO FAUCET HOLE CONFIGURATION)
Model ILCGR-5322-R2



(SPREAD TWO FAUCET HOLE CONFIGURATION)
Model ILCGR-5322-RS2



(THREE FAUCET HOLE CONFIGURATION)
Model ILCGR-5322-R3



(FOUR FAUCET HOLE CONFIGURATION)
Model ILCGR-5322-R4

ALL DIMENSIONS IN INCHES. TO CONVERT TO MILLIMETERS MULTIPLY BY 25.4.

In keeping with our policy of continuing product improvement, Elkay reserves the right to change product specifications without notice.

This specification describes an Elkay product with design, quality and functional benefits to the user. When making a comparison of other producers' offerings, be certain these features are not overlooked.