

**Dual Handle  
Bar Faucet  
Models LK24898 and LK24898BH**



**SPECIFICATIONS**

**GENERAL**

**LK24898** Dual handle, top mount mixing faucet with stainless steel escutcheon. Chrome plated lever handles. Tubular swing spout with aerator. Overall height 8". Removable Diacorel cartridges. A 150° turn of the handle controls water from drip-free **off** to full **on**. All operating parts are replaceable from above deck. Requires 2 faucet holes on 4" centers. Ship. Wt. 2-1/2 lbs.

**LK24898BH** Same as LK24898 except with 4" blade handles. Ship. Wt. 2-3/4 lbs.

**MAXIMUM FLOW RATE**

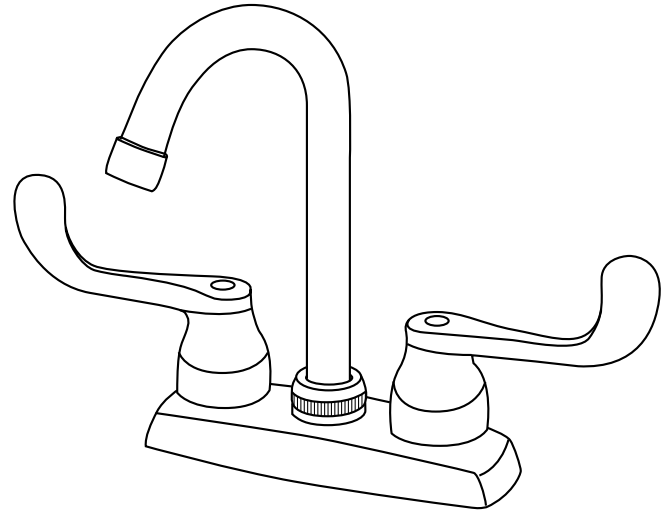
**2.5 GPM/9.5 L/min AT 80 P.S.I.G.**  
**2.2 GPM/8.3 L/min AT 60 P.S.I.G.**



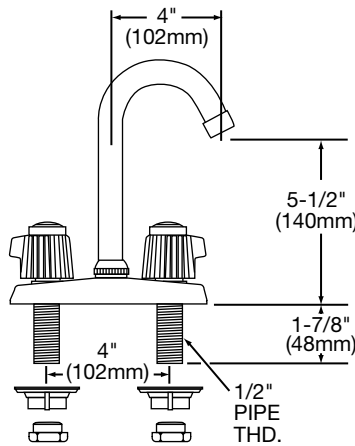
These faucets are ADA compliant.



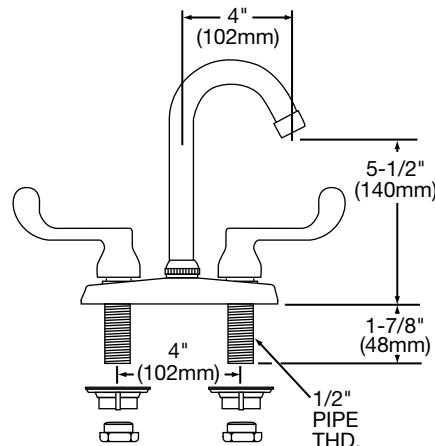
These faucets are classified by Underwriters Laboratories Inc. to **ANSI/NSF61**.



Model LK24898BH



LK24898 Illustrated



LK24898BH Illustrated

**CARTRIDGE**

Maintenance-free, drip-free washerless cartridge that is completely self-contained and easily removable.

A simple cam-activated movement of the diaphragm controls the flow of water with a feather-lite touch. Full **off** to full **on** with a 150° turn.

No springs. No wearing action and no moving parts exposed to water.

**ELKAY FAUCET/WATER DISPENSERS LIMITED WARRANTY**

Elkay warrants its faucet and water dispensers to be free of defects in workmanship and material for a period of one year from the date of purchase. Replacement parts are available from Elkay for a nominal charge. Upon return of a defective part to Elkay during the warranty period with written notice of the claimed defect, Elkay will refund the replacement charge.

**WASTE FITTINGS AND ACCESSORIES ARE NOT WARRANTED; OTHER WARRANTY CONDITIONS:**

Our warranty does not cover product failure caused by abusive treatment, misuse, or damage due to handling or faulty installations. This warranty is extended only to the original consumer purchaser of the product. This warranty does not cover shipping costs, labor costs, or any other charges for such items as installation or replacement of the sink, diagnosis or replacement of any faucet or component part, or any other expense or loss.

ALL INCIDENTAL OR CONSEQUENTIAL DAMAGES ARE SPECIFICALLY EXCLUDED. NO ADDITIONAL WARRANTIES, EXPRESS OR IMPLIED, ARE GIVEN. ANY IMPLIED WARRANTY, INCLUDING ONE OF MERCHANTABILITY OR FITNESS FOR A PARTICULAR PURPOSE, IS LIMITED TO THE DURATION OF THIS WRITTEN WARRANTY.

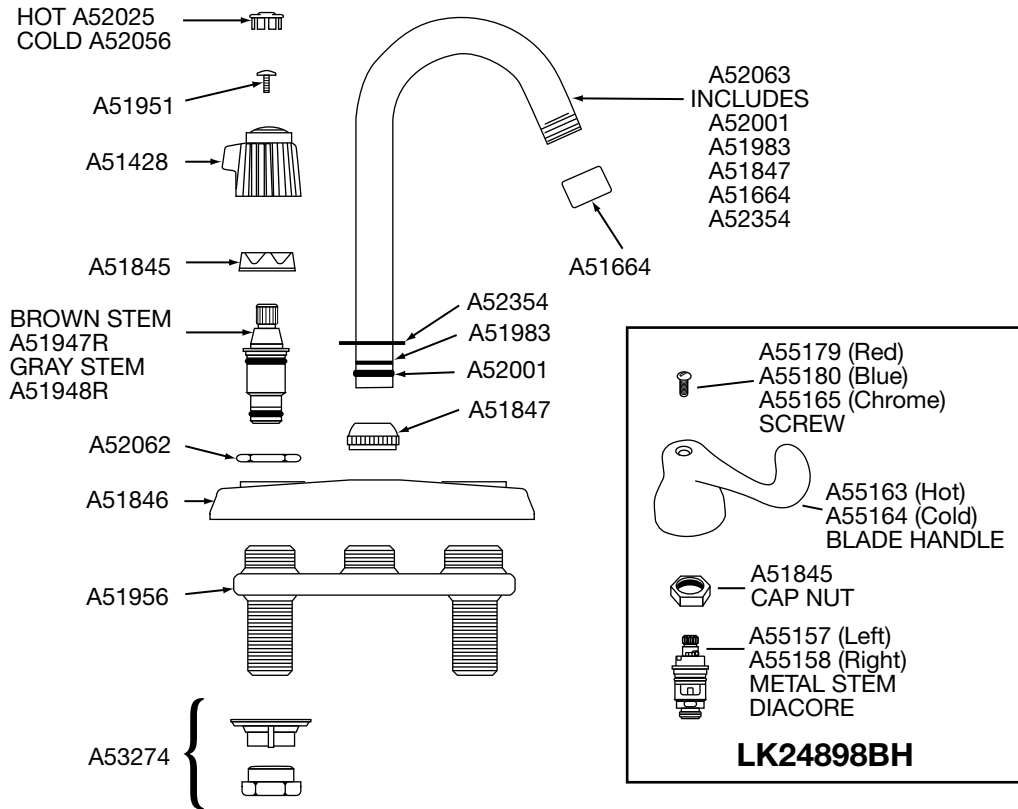
Some states do not allow the exclusion or limitation of incidental or consequential damages or limitations on how long an implied warranty lasts, so the above limitations or exclusions may not apply to you.

This warranty gives you specific legal rights, and you may also have other rights which vary from state to state.

**TO OBTAIN SERVICE UNDER WARRANTY**

1. Write to: Elkay Manufacturing Company  
Attention: Consumer Service  
2222 Camden Court  
Oak Brook, Illinois 60523
2. Include a letter containing the following information:
  - a. Date of purchase and installation
  - b. Description of nature of defect
  - c. Model number or description of model and/or component part if possible.

**PARTS LIST**



**PARTS FOR BAR FAUCETS**

PART NUMBER	PART DESCRIPTION	PART NUMBER	PART DESCRIPTION
A51428	Chrome Plated Handle (LK24898)	A52056	Plug Button (Cold)
A51664	Aerator	A52062	Nut
A51845	Cap Nut (2)	A52063	Spout (Includes A52001, A51983, A51664, A51847 and A52354)
A51846	Escutcheon	A52354	Brass Washer
A51847	Spout Nut	A53274	Mounting Hardware (1 Bag)
A51947R	Diacore Cartridge (Brown Stem) Handle Turns Counterclockwise to Open	A55157	Metal Stem Diacore (Left)
A51948R	Diacore Cartridge (Gray Stem) Handle Turns Clockwise to Open	A55158	Metal Stem Diacore (Right)
A51951	Handle Screw (2)	A55163	Blade Handle (Hot)
A51956	Body	A55164	Blade Handle (Cold)
A51983	Snap Ring	A55165	Screw (Chrome)
A52001	"O" Ring	A55179	Screw (Red)
A52025	Plug Button (Hot)	A55180	Screw (Blue)

Warning: Blade handles must only be used with A55157 and A55158 Metal Stem Diacore Cartridges.