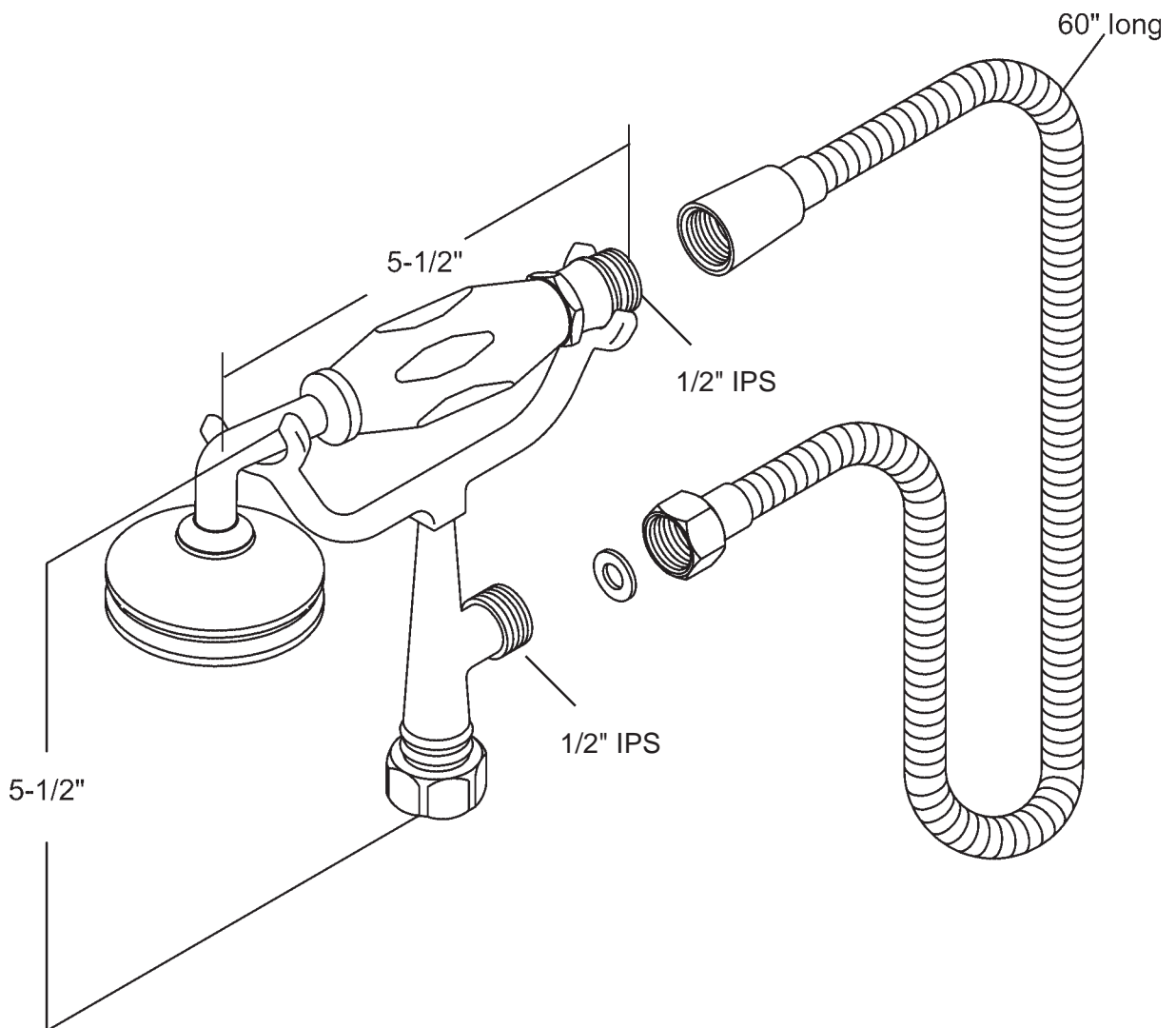




Specification for HSWC



Revised 1/18/03