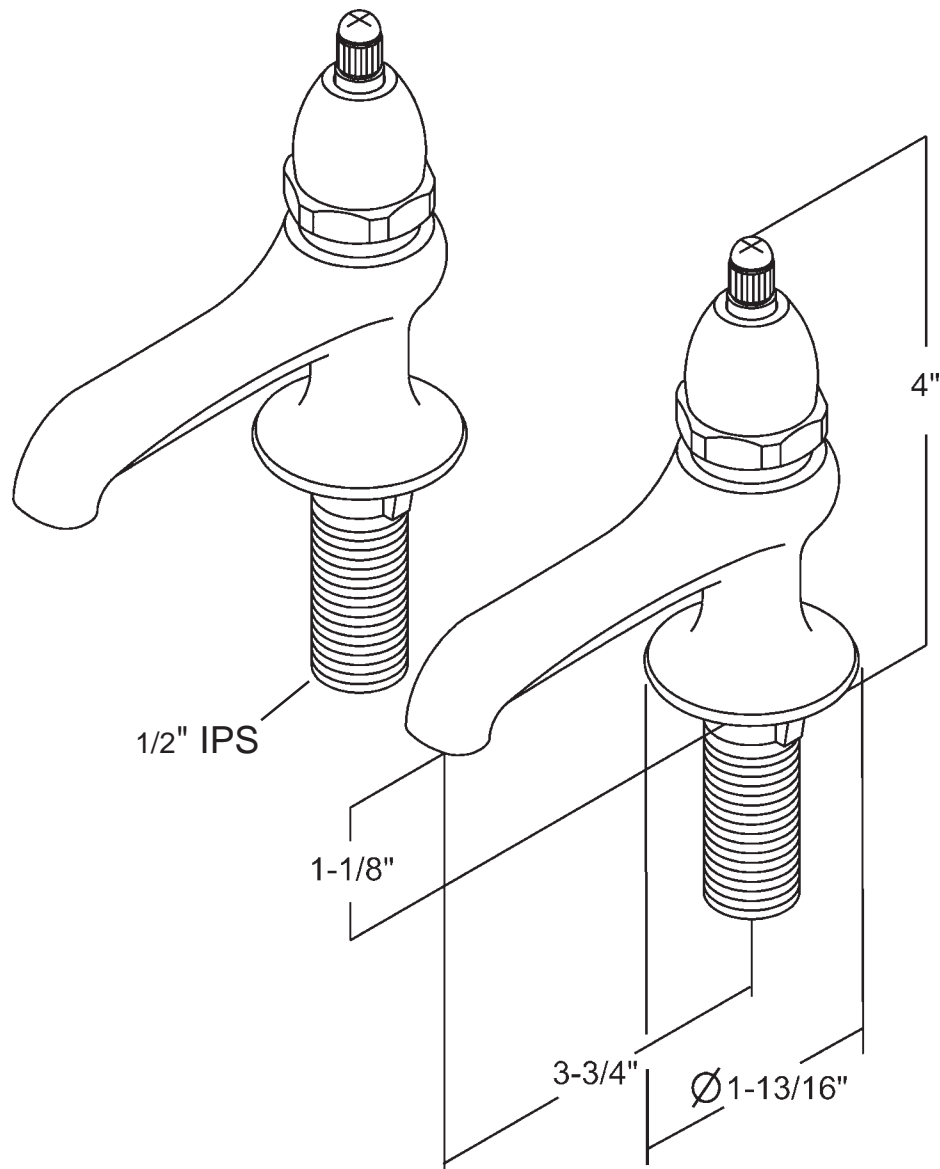




Specification for BF01 - BF05

Inlet Shank Length $25/16''$

Maximum Deck Thickness $13/4''$



Revised 9/17/03