

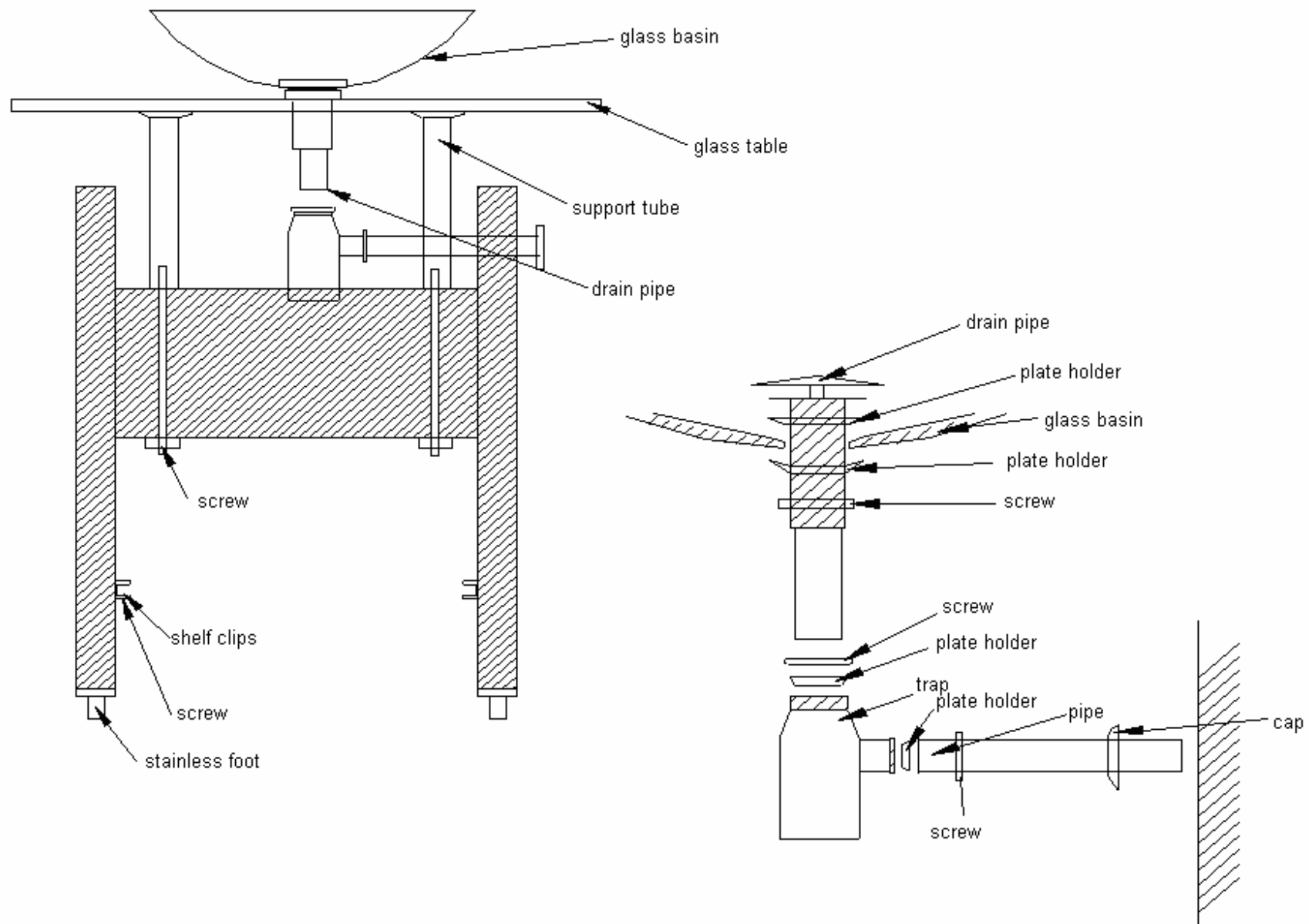


DLVG-107 Installation Instructions



Mounting Process:

1. Secure the support tubes and the stainless feet with screws.
2. Place the glass bottom shelf on the clips.
3. When placing the glass countertop on the metal pads make sure there are rubber gaskets in between the pads and the glass to prevent glass from scratching.
4. Place the mounting ring, washer and the glass basin on top of the glass countertop.
5. Connect trap to drain assembly. Hand tight to check alignment.
6. Secure the faucet in place. Connect hot and cold water lines.
7. Mount the mirror at desired position.



Product Description

Model No. G107

- (1) 12mm transparent oval glass bowl
- (2) 19mm clear glass counter top and shelf
- (3) Solid oak wood bracket
- (4) Matching mirror
- (5) Black walnut color cabinet
- (6) Pop-up drain and T-trap
- (7) Optional faucet
- (8) Mirror dimensions: 35.43" x 31.5"

Note: Dimensions shown for location of supplies and waste are suggested.

