

CLUB LAVATORY SERIES

Lavatory Self-Rimming Sink Model CVT-1645



CVT-1645

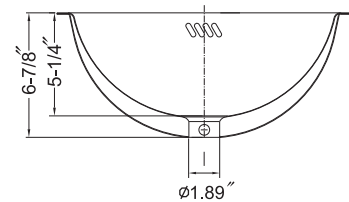
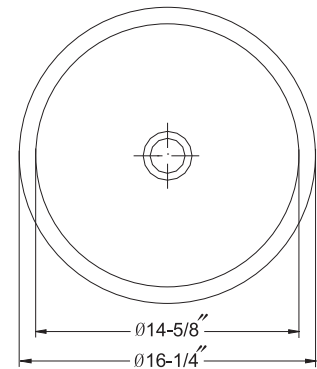
FEATURES

- Premium grade T-304 stainless steel
- 5-1/4" depth • 19 gauge
- Topmount or Undermount
- Double layer with overflow
- High polished
- 1-1/2" drain opening
- Supplied with fasteners and instructions
- Complies with ASME A112.19.3-2000, UPC®
- Lifetime Limited Warranty

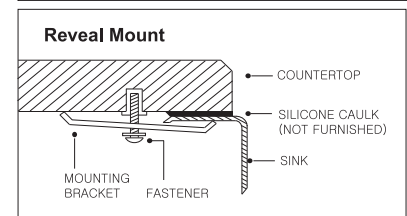
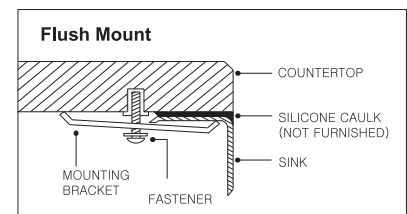


OPTIONAL ACCESSORIES

Pop-up Drain : PD-10



Installation profile



OVERALL DIMENSIONS	EACH BOWL	CUTOUT SIZE	PACKAGING*	WEIGHT*
Ø16-1/4"	Ø14-5/8"	n/a	1/32 pcs.	10/320 lbs.

*Standard packaging: Single boxed / Pallet of single boxed
All dimensions are in inches. Specifications subject to change without notice.

Project/Job name _____

Architect/Engineer _____

Contractor _____

Model _____ Q'ty _____

Notes _____