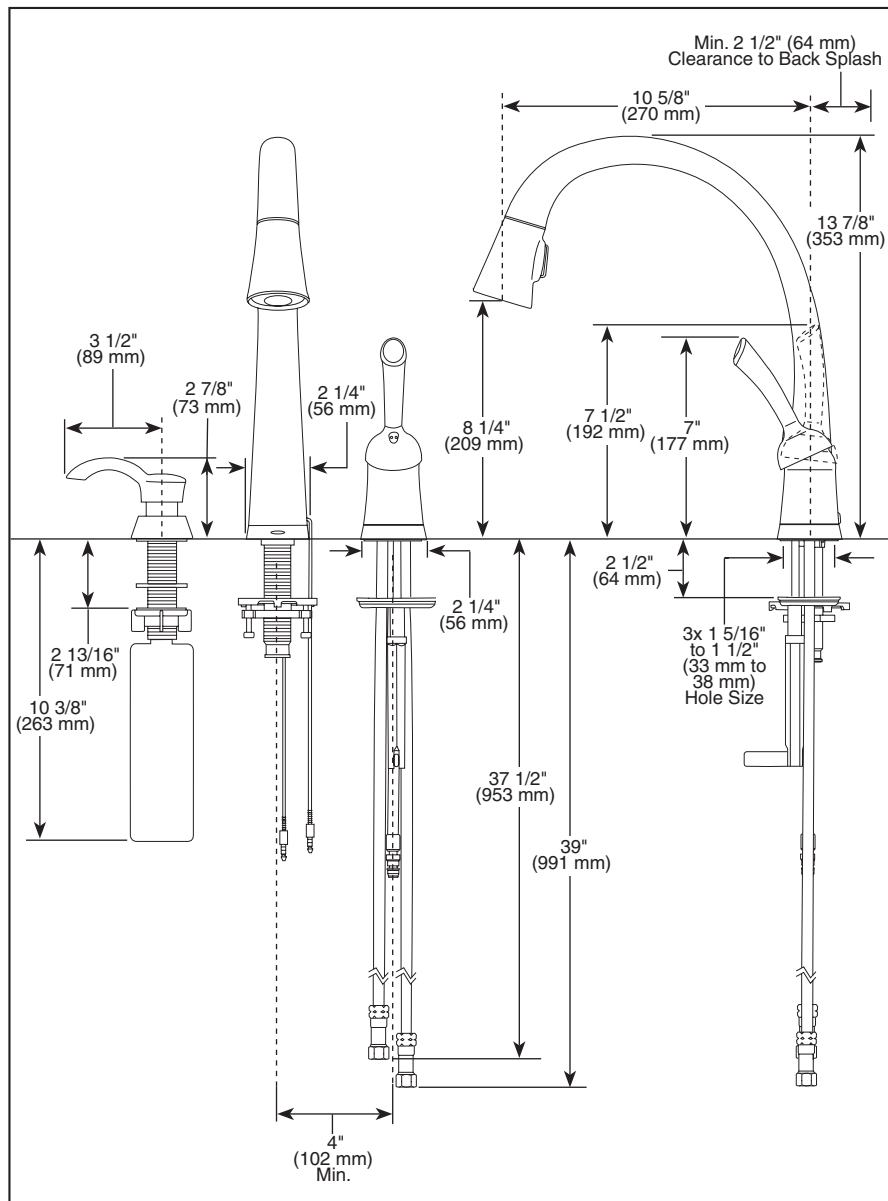


Submitted Model No.: _____

Specific Features: _____



▲ Designate Proper Finish Suffix



KITCHEN FAUCETS

- Pilar® Collection
- Single Handle Widespread
- 2-Function Pull-Down
- 2 or 3 Hole Sink Applications
- Optional Soap Dispenser
- DIAMOND™ Valve with Innoflex® Waterways
- Integrated Supply Tubes
- MagnaTite™ Docking System
- Touch20® Technology

STANDARD SPECIFICATIONS:

- Single handle, 2-function pull-down kitchen faucets for exposed mounting on two and three hole sinks.
- Delta Touch20® Technology controls water flow.
- On-off indicator light also signals when batteries run low.
- 13 7/8" (353 mm) high, 10 5/8" (270 mm) long, spout swings 360°.
- Pull-down wand operates in an aerated or spray mode via a two function toggle control.
- Red/blue graphics on handle button to indicate hot/cold temperature.
- Magnetic docking system secures sprayer to spout.
- Accommodates stops 32" below the top of the deck.
- Accommodates 2 1/2" max. deck thickness.
- Integral double check valves in sprayer assembly.
- Disposable hose lead to aid installation.
- Mounting wrench to assist in tightening mounting nut securely.
- Hose travels inside mounting shank so it will not interfere with deck edges.

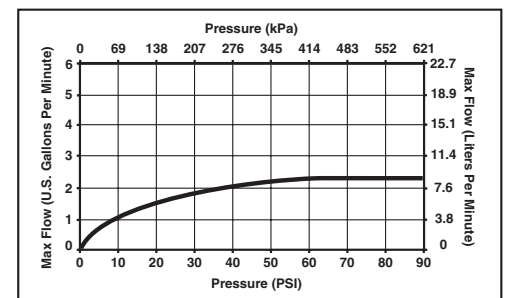
WARRANTY

- 5 Year Limited Warranty on faucet, finish and electronics.



COMPLIES WITH:

- ASME A112.18.1 / CSA B125.1
- Indicates compliance to ICC/ANSI A117.1
- Verified compliant with .25% weighted average Pb content regulations.



Delta reserves the right (1) to make changes in specifications and materials, and (2) to change or discontinue models, both without notice or obligation. Dimensions are for reference only. See current full-line price book or www.specselect.com for finish options and product availability.

DSP-K-980T-DST Rev. D

55 E. 111th Street, Indianapolis, Indiana 46280
 395 Matheson Blvd. E., Mississauga, ON L4Z 2H2
 © 2009 Masco Corporation of Indiana