

Below Deckmount Sink Faucets 8" Centers

TECK®

DELTA
COMMERCIAL

Specification: (example)

- Below deckmount sink faucet
 - 203mm (8") centers, two handle
 - Polished chrome plated finish trim
 - **CAST BRASS** bodies
 - **BRASS** swing spout or 3/8" IPS **BRASS PIPE** Rigid/Swivel Gooseneck Spout
 - Metal hold-down package
 - Color indexed metal handles with vandal resistant screws
- and ... with ... (add **CER-TECK™** 1/4 turn ceramic structures
or **TUF-TECK™** compression structures)
with ... Hose Spray and Diverter (if applicable)
with ... (add spout required)
with ... (add outlet required)
with ... (add handle required)
with ... (add suffix **-LS** if required – See Back Page)














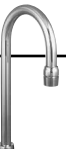
Engineer/Architect Approval

Model Specified: _____

Approval: _____ Date: _____

DESCRIPTION		PRODUCT NO.		
WITH hose and spray	CER-TECK™	27C1		
LESS hose and spray	CER-TECK™	27C2		
WITH hose and spray	TUF-TECK™	27T1		
LESS hose and spray	TUF-TECK™	27T2		



SPOUT		OUTLET		HANDLE	
0	<input type="checkbox"/>	0	<input type="checkbox"/>	0	<input type="checkbox"/>
1	203mm (8") Wallform (S2) Swing Spout (2)  <input type="checkbox"/>	1	<input type="checkbox"/>	1	Five Flute Handles  <input type="checkbox"/>
2	203mm (8") Tubular (S5) Swing Spout (2)  <input type="checkbox"/>	2	Vandal Resistant 1.5 USGPM (5.7 L/min.) Laminar w/Antimicrobial By AglON™  <input type="checkbox"/>	2	102mm (4") Hooded Blade Handles  <input type="checkbox"/>
3	<input type="checkbox"/>	3	Vandal Resistant 1.5 USGPM (5.7 L/min.) Flow Control Aerator  <input type="checkbox"/>	3	76mm (3") Lever Blade Handles  <input type="checkbox"/>
4	<input type="checkbox"/>	4	Standard 1.5 USGPM (5.7 L/min.) Flow Control Aerator  <input type="checkbox"/>	4	102mm (4") Blade Handles, Sanitary Hoods  <input type="checkbox"/>
5	<input type="checkbox"/>	5	<input type="checkbox"/>	5	152mm (6") Wrist Handles, Sanitary Hoods  <input type="checkbox"/>
6	<input type="checkbox"/>	6	<input type="checkbox"/>	6	<input type="checkbox"/>
7	<input type="checkbox"/>	7	Smooth End, Laminar Flow Control in Base of Gooseneck Spout 1.1 USGPM (4.2L/min.) (3)  <input type="checkbox"/>	7	<input type="checkbox"/>
8	<input type="checkbox"/>	8	<input type="checkbox"/>	8	<input type="checkbox"/>
9	Heavy Duty 152mm (6") Bend Rigid/Swivel (R4) Gooseneck Spout (1) (4)  <input type="checkbox"/>	9	<input type="checkbox"/>	9	<input type="checkbox"/>

(1) See Page 9.C.1 for **Optional Rigid/Swivel Spouts**. These spouts can ONLY be added to **SPOUT Option No. 9**.
 (2) See Page 9.C.2 for **Optional Swing Spouts**. These spouts can ONLY be added to **SPOUT Option No. 2**. Flowrates are at 60 PSI. (4) 120° Limited Swing Spout Available. Add Suffix **-LS**
 (3) This outlet can ONLY be added to **SPOUT Option No. 9**. Note: Use this page front and back as a product submittal sheet. Refer to www.specselectonline.com for individual models.

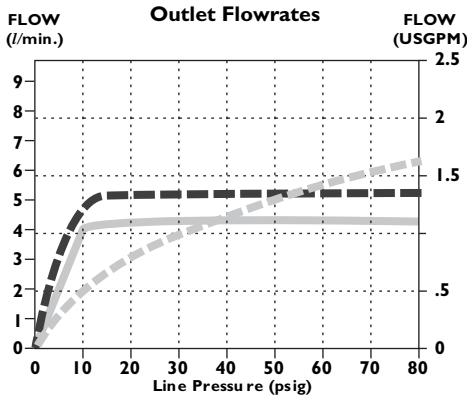
Delta reserves the right (1) to make changes in specifications and materials, and (2) to change or discontinue models, both without notice or obligation. Dimensions are for reference only. See current full-line price book or www.specselectonline.com for finish options and product availability.

Approvals:

- CSA certified
- Complies to ASME A112.18.1
- Lever Blade Handles No. 2, 3, 4, and 5, ADA Compliant and meet Handicapped Accessibility Standard ASME A117.1 of less than 5 lbs. operating force.
- IAPMO listed

(Contact Delta Representative for State and/or Local Approvals.)

FLOWRATE vs PRESSURE



Spout Outlets

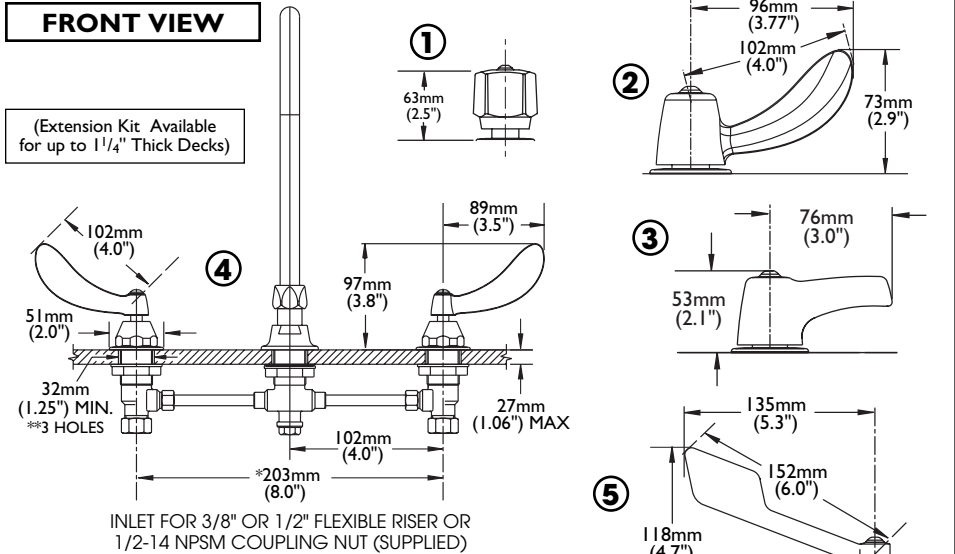
- No. 3 & 4 Aerator
- No. 2 Laminar Flow Outlet
- No. 7 Flow Control

OUTLET NO.	"D"	
	mm	in.
2	18	0.69
3	18	0.69
4	17	0.67

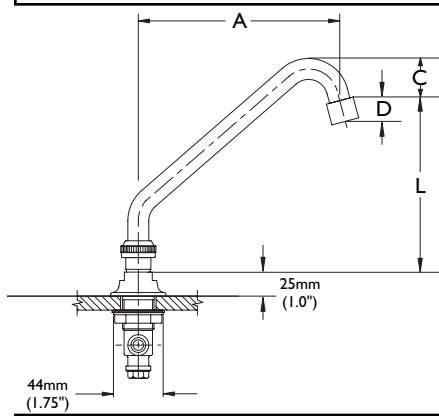
LIMITED SWING GOOSENECK

Add suffix "- LS" to Product Number for 120° Limited Swing

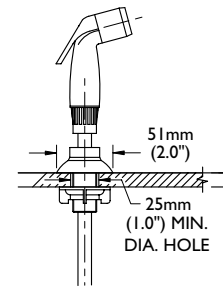
FRONT VIEW



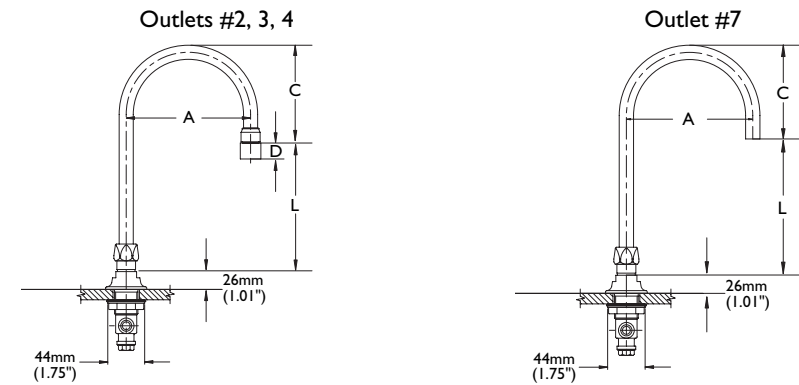
SWING SPOUT



SPRAY



GOOSENECK SPOUT



GOOSENECK SPOUT ASSEMBLIES

SPOUT/OUTLET	"A"		"C"		"L"	
	mm	in.	mm	in.	mm	in.
Gooseneck-Standard (R4) for outlets #2, 3, 4	152	6	124	4.9	146	5.8
Gooseneck-Standard (R4) for outlets #7	152	6	117	4.6	152	6.0

See Page 9.C.1 for additional optional spouts.

INLETS - 1/2" MIP/Coupling Nuts

Note: Measurements may vary ± 6mm (0.25")

SWING SPOUT ASSEMBLIES

Spout No.	SPOUT TYPE	"A"		"C"		"L"	
		mm	in.	mm	in.	mm	in.
1	8" Wallform Spout (S2)	206	8.1	15	0.6	130	5.1
2	8" Tubular Spout (S5)	185	7.3	41	1.6	147	5.8

See Page 9.C.2 for additional optional spouts.

Refer to www.specselectonline.com for individual models.

Note: Use this page front and back as a product submittal sheet.