

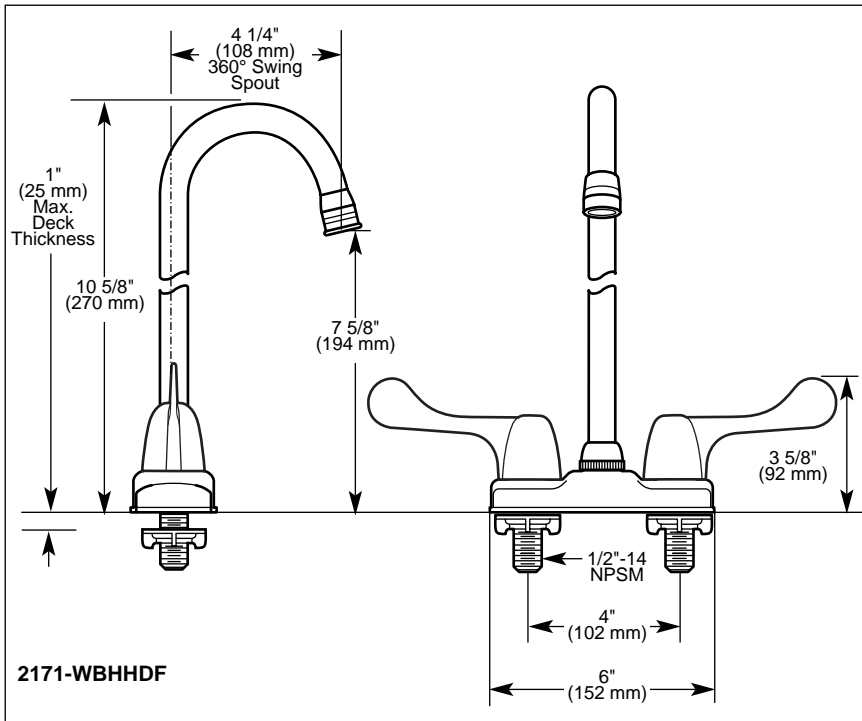


Submitted Model No.: _____
 Specific Features: _____

- Two Handle
- Deck Mount
- 2 Hole Applications
- 4" (102 mm) Centerset

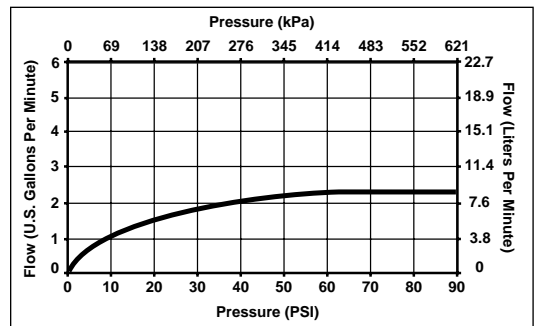
STANDARD SPECIFICATIONS:

- Two-handle deck faucet for exposed mounting on two hole sinks.
- Solid brass fabricated body.
- 4 1/4" (108 mm) long, 10 5/8" (270 mm) high gooseneck spout swings 360°.
- 4" (102 mm) centerset.
- 2.2 gpm (8.3 L/min) vandal resistant aerator.
- Vandal resistant wrist blade handles. Red/blue colored graphics indicate hot/cold temperature.
- Hot and cold brass stems are interchangeable.
- Control mechanism shall be of the rotating cylinder type with stainless steel plate and 1/4 turn stops, with replaceable non-metallic seats operating in stainless steel lined sockets.
- 1/2"-14 NPSM threaded male shanks.



COMPLIES WITH:

- ASME A112.18.1
- CSA B125
- Indicates ADA compliance to CABO/ANSI A117.1
- IAPMO Listed
- CSA Certified



Delta reserves the right (1) to make changes in specifications and materials, and (2) to change or discontinue models, both without notice or obligation. Dimensions are for reference only. See current full-line price book or www.specselectonline.com for finish options and product availability.