

ANASTASIA CRIB ASSEMBLY & OPERATION MANUAL

ALL RIGHTS RESERVED © 2003

4801.RV.03.4

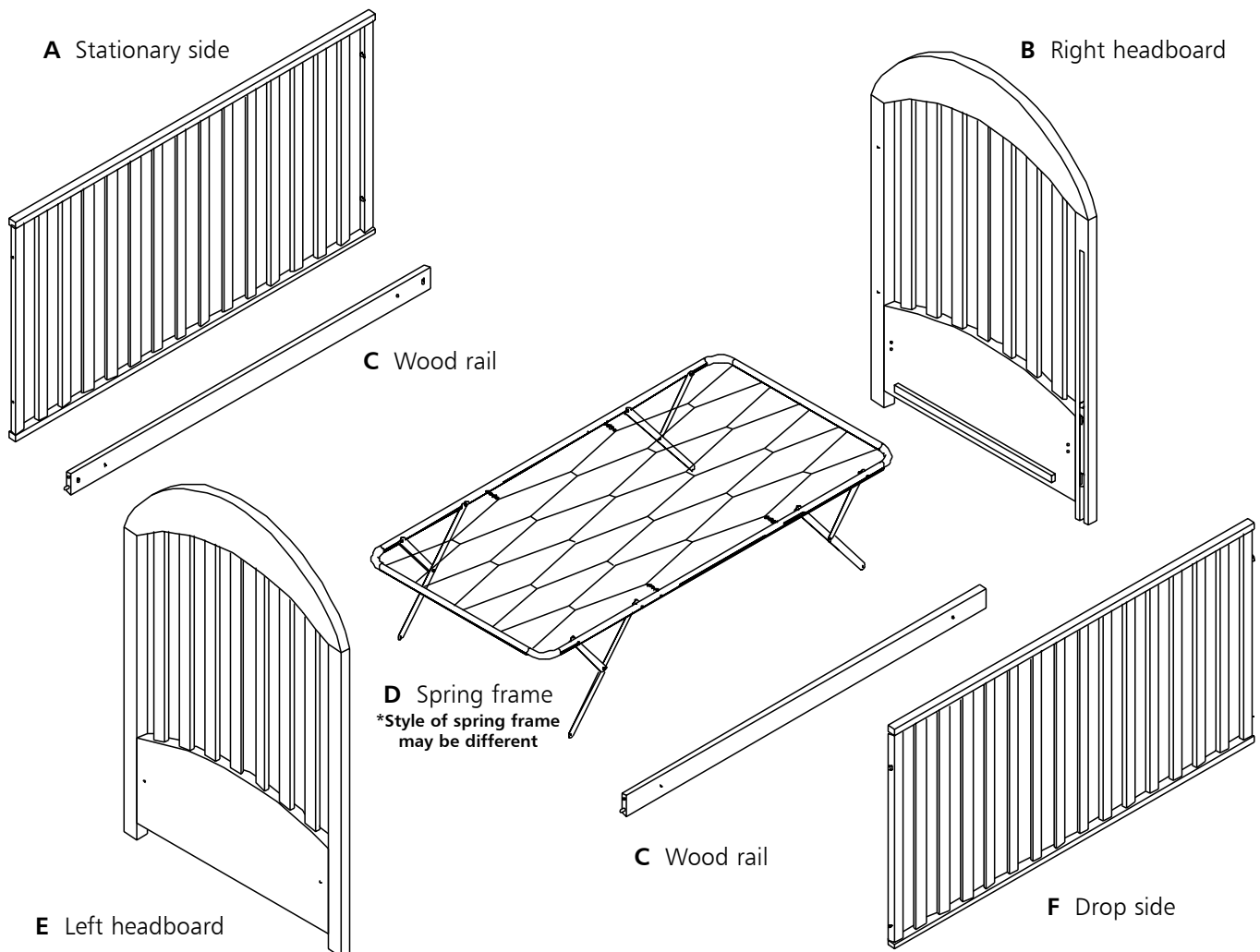
Congratulations on your purchase from Million Dollar Baby. This crib will provide many years of service if you adhere to the following guidelines for assembly, maintenance and operation. This crib is for residential use only. Any institutional use is strictly prohibited.

Please be sure to follow the instructions for proper assembly. Use a Phillips and flathead screwdriver for assembling the crib in addition to the allen wrench included in the hardware box. **Do not use electric drills or power screw drivers.** Do not overtighten screws and bolts. Please understand that natural woods have color variations which are the result of nature and are not defects in workmanship. Please note: 2 people recommended for assembly.

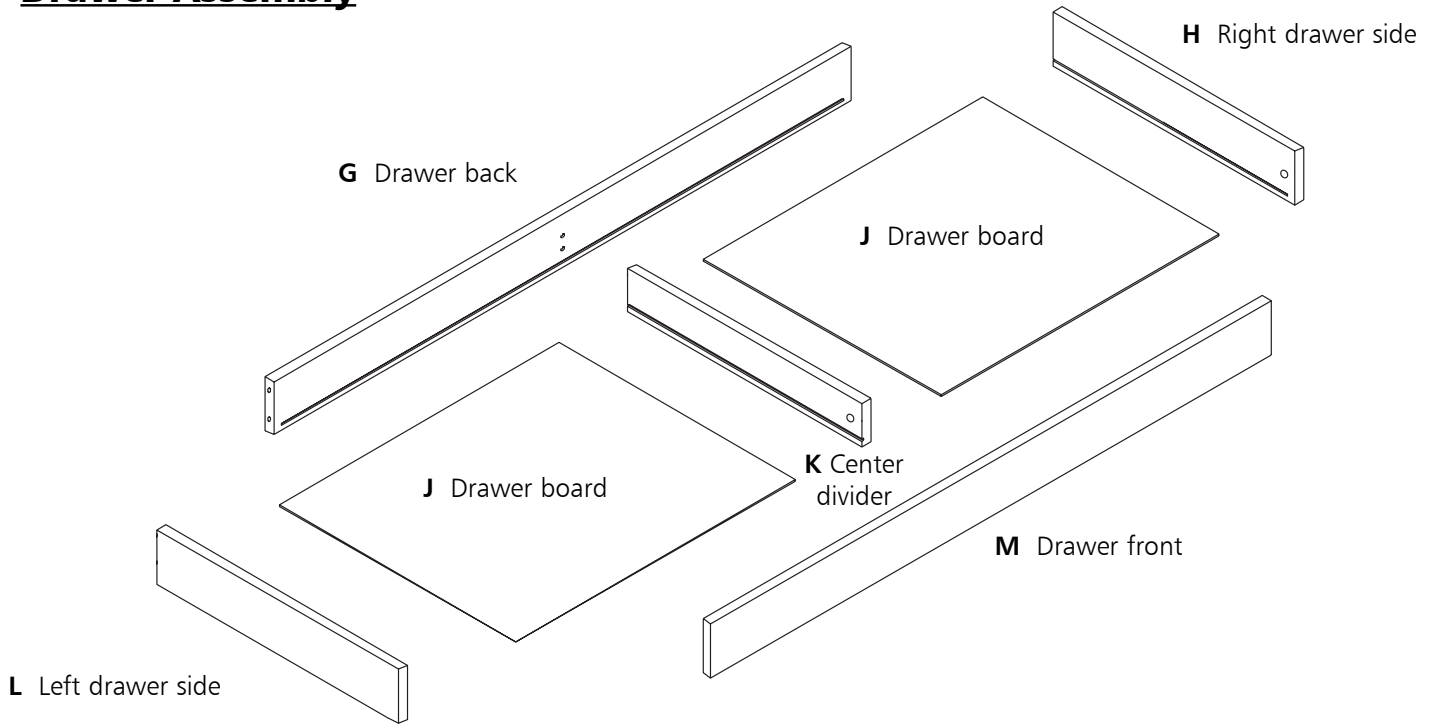
Do not substitute parts. All models have the same quantity of parts and hardware. Your model may look different from the one illustrated due to stylistic variations.

Unpack and separate all parts and different size bolts. All fastener holes have been pre-drilled or have metal inserts. No drilling by the customer is necessary. Be sure to tighten all bolts firmly. Ask your dealer or contact us for replacement of missing parts if needed.

Crib Assembly



Drawer Assembly



Hardware



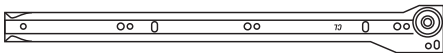
N Right headboard guide
Quantity: 1



R Allen wrench
Quantity: 1



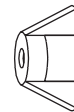
S 2 1/4" Machine Bolts & Barrel nuts
Quantity: 4 each



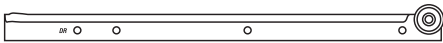
O Left headboard guide
Quantity: 1



T 1 3/4" allenhead bolts
Quantity: 4



U Wing nuts
Quantity: 8



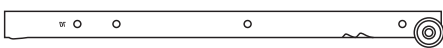
P Right drawer guide
Quantity: 1



V 1 3/8" allenhead bolts
Quantity: 8



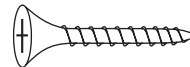
W Cam lock bolts
Quantity: 3



Q Left drawer guide
Quantity: 1



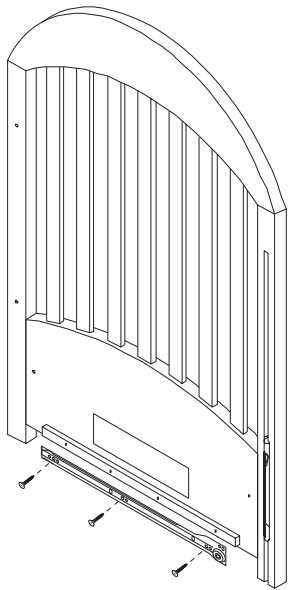
X 5/8" Wood screws
Quantity: 12



Y 1 1/4" Wood screws
Quantity: 6



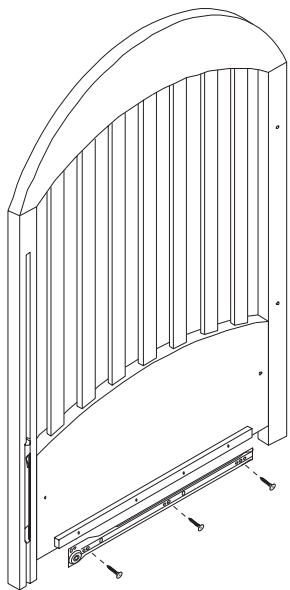
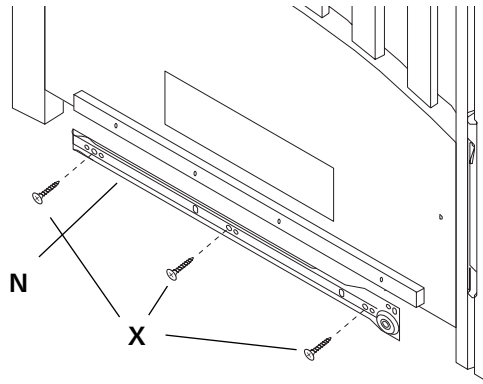
Z Cam locks
Quantity: 3



- 1 Attach headboard guide **N** using 3 wood screws 5/8" **X** to the bottom of right headboard **B**.

Make sure that the guide wheel faces the drop side of the headboard.

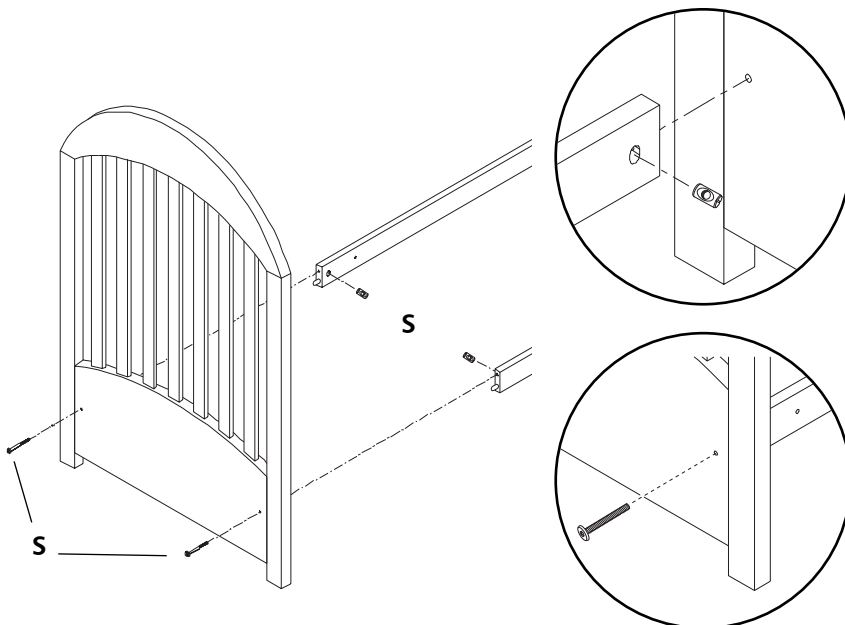
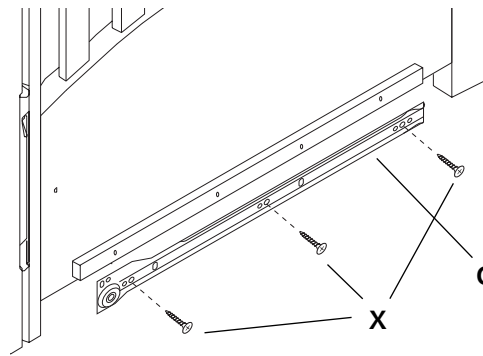
Do not overtighten.



- 2 Attach headboard guide **O** using 3 wood screws 5/8" **X** to the bottom of right headboard **E**.

Make sure that the guide wheel faces the drop side of the headboard.

Do not overtighten.

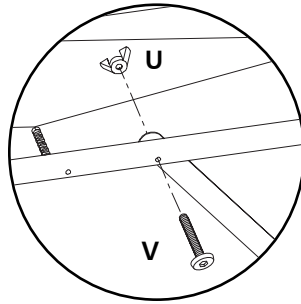
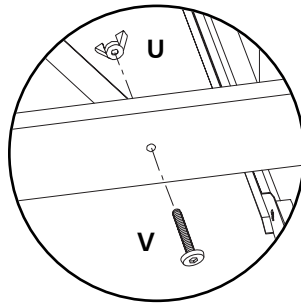
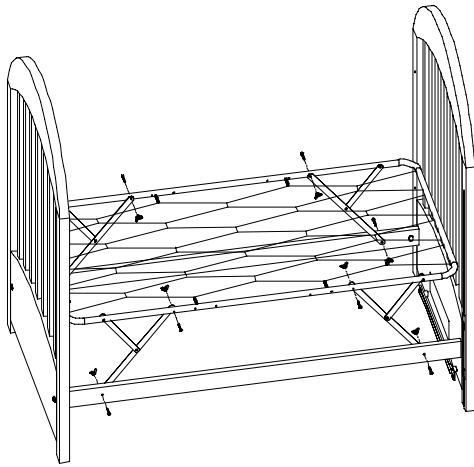


- 3 Please Note: Two people recommended for assembly.

Insert 4 barrel nuts **S** into the holes at the end of the two wood rails **C**.

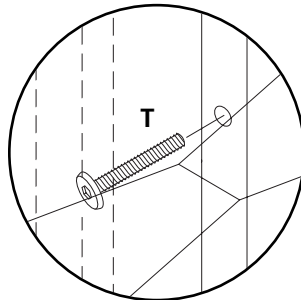
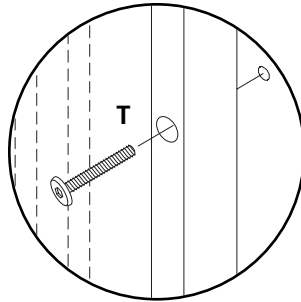
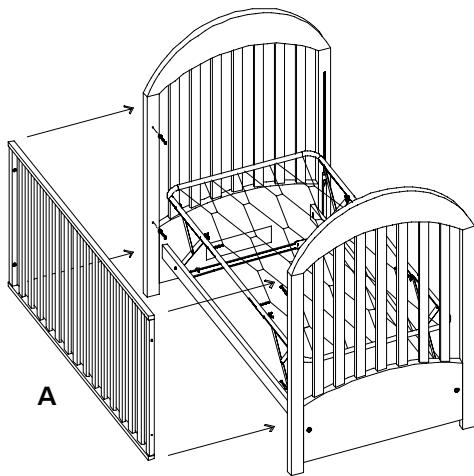
Attach the rails to the headboards **B** & **E** with four 2 1/4" allenhead bolts **S**. Use the allen wrench **R**.

Do not tighten the bolts yet. This will help the attachment of the drop side **F later.**



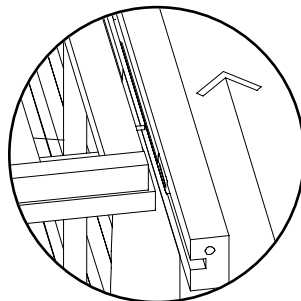
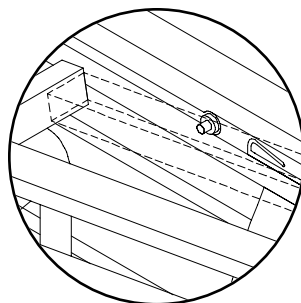
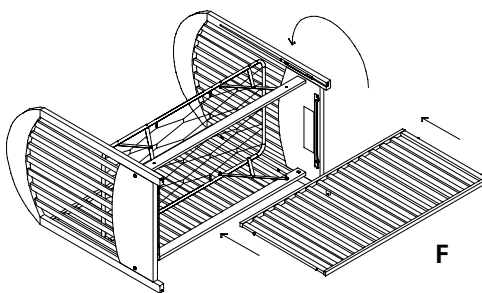
4 Align the hole of each support arm on the spring frame **D** with each hole located on the inside of wood rails **C**. Secure the spring frame to the rails using four allen head bolts **V** and wing nuts **U**. Adjust the height of the spring frame **D** by aligning the holes at the other end of the support arms with the holes at the spring frame. Start at the highest position and adjust accordingly. Fix the support arms to the spring frame using four Phillips head bolts **V** and wing nuts **U**. As the child grows, it is important to lower the spring.

Make sure the spring frame is level.



5 Align the holes on the stationary side **A** with the matching holes on the corner post of each headboard **B & E**. Insert each 1 3/4" allen-head bolt **T** into the holes of the stationary side. Fasten with the allen wrench **R**.

Do not tighten the stationary side to the head boards yet.

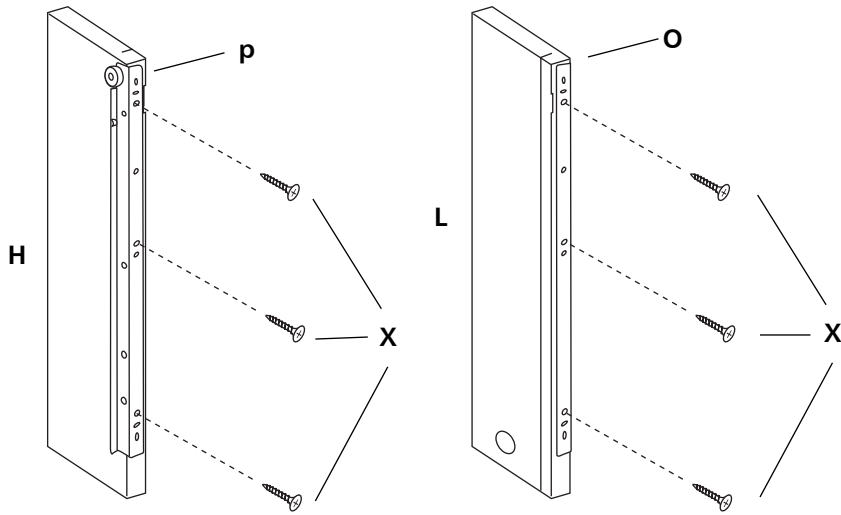


6 Turn the crib on its side. Be sure to lay it on a debris-free surface to prevent scratching of finish.

Align the upper knobs on the drop side **F** with the holes along the recessed tracks at each headboard. Slightly rotate the drop side and slide it upwards. Fit the lower pins of the stationary side into the plastic glides. Continue to slide the drop side along the direction of the arrow until it stops.

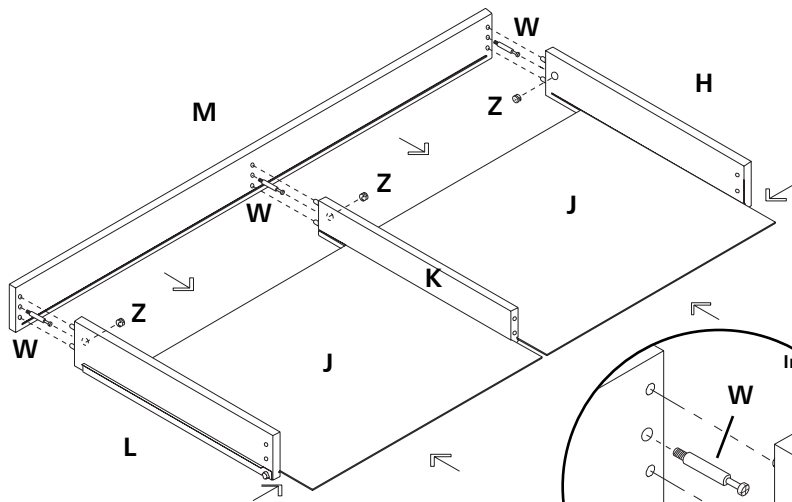
Tighten all the bolts at the wood rails from step 3 and stationary side from step 5.

Do not overtighten bolts.

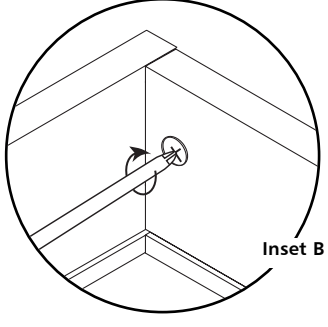
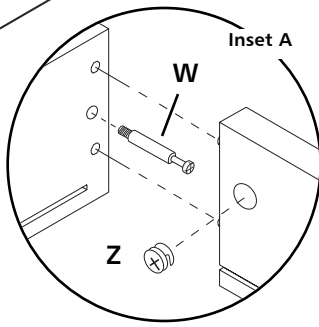


7 Attach drawer glide **P** to the bottom of right drawer side **H** using three wood screw 5/8" **X**.

Attach drawer glide **O** to the bottom of left drawer side **L** using three wood screw 5/8" **X**.

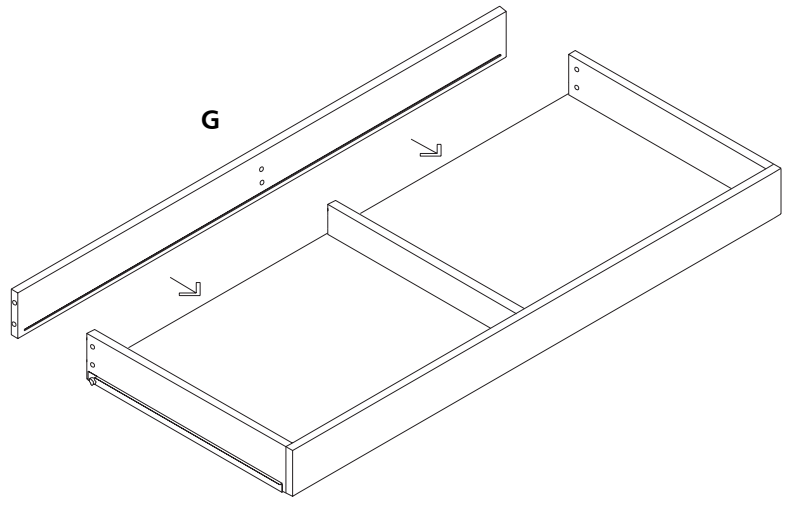


8 Attach 3 cam lock bolts **W** to drawer front **M** using a phillips head screwdriver. Insert cam locks **Z** into the holes of the left, right, and center drawer pieces. Assemble the drawer front as shown in **inset A** and lock the front drawer piece by turning the cam locks clockwise with a phillips screwdriver until it is secured as shown in **inset B**. Slide in drawer boards **J** into the grooves.



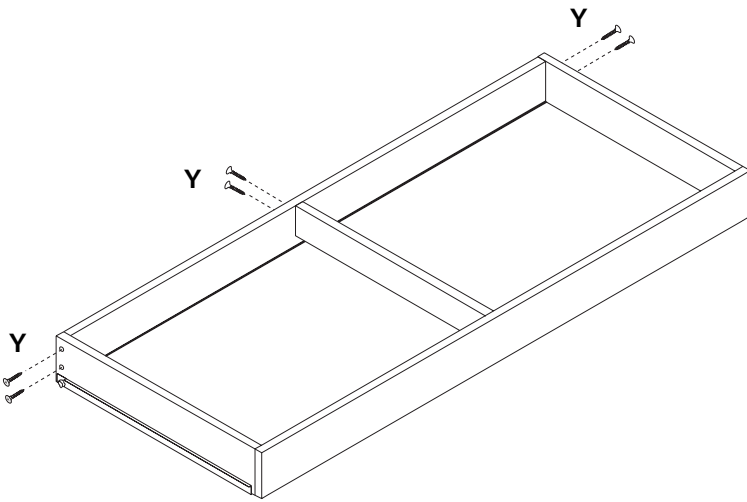
Make sure the wheels on the metal tracks are on the back of the drawer.

9 Place drawer back **G** in position to the drawer.



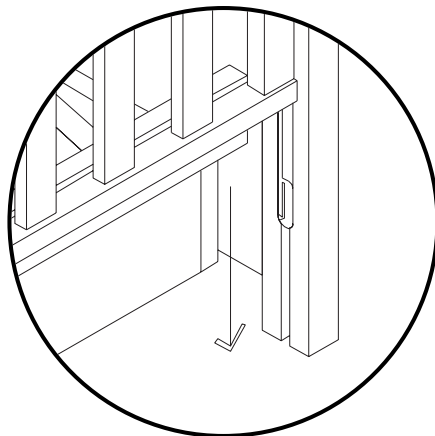
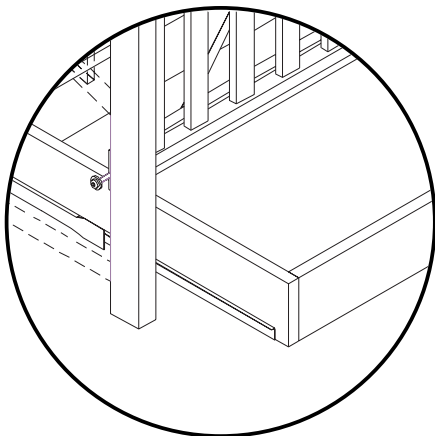
- 9** Use six 1 1/4" wood screws **Y** to attach drawer back **G** to the drawer assembly as shown.

Do not overtighten.



- 10** Stand the crib upright on its legs. Align the headboard drawer guides **N** and **O** with the metal tracks at the bottom edge of the drawer. Tip the drawer up slightly and slide it into place.

Slide the drawer in and out to make sure it glides smoothly. Test the drop side by pulling it up and pressing on the bottom edge to unlock. Hold on to the drop side and lower it to the bottom position.





11 Before placing your mattress in the crib, you can make your own mattress protector by cutting the cardboard packing insert into a 27"x51" board and placing it on the spring frame under the mattress. This will extend the life of your mattress and provide additional support.

12 Your crib is now ready.

Please refer to the label (figure below) on the inside face of the headboard. Record the model/item number and serial number of your crib, name of store where you made the purchase, date of purchase and wood finish in the box to the lower right.

YOU WILL BE ASKED FOR YOUR SERIAL NUMBER WHEN REQUESTING WARRANTY AND REPLACEMENT PARTS. PLEASE REFER TO THE BACK OF THIS INSTRUCTION SHEET FOR WARRANTY INFORMATION. KEEP THIS MANUAL IN A SAFE PLACE FOR FUTURE REFERENCE.



SAMPLE LABEL

Model/Item #:	_____
Serial Number:	_____
Store Purchased From:	_____
Date of Purchase:	_____
Wood Finish:	_____

Please read the Caution and Warning Statements on the back of this manual before using your crib.

WARNING: Failure to follow these warnings and assembly instructions could result in serious injury or death.

READ ALL INSTRUCTIONS BEFORE ASSEMBLING CRIB. KEEP THE MANUAL FOR FUTURE USE.

• **WARNING:** Strings can cause strangulation! Do not place items with a string around a child's neck, such as hood strings or pacifier cords. Do not suspend strings over a crib or attach strings to toys.

- **DO NOT** place a crib near a window where cords from blinds or drapes may strangle a child.
- Keep wall decorations, especially those with strings, completely out of a child's reach.
- Before each usage or assembly, inspect crib for damaged hardware, loose joints, missing parts or sharp edges. **DO NOT** use the crib if any parts are missing or broken. Ask your dealer or contact manufacturer for replacement parts and instructional literature if needed. **DO NOT** substitute parts.
- Check fasteners periodically for tightness. Do not overtighten. This may cause distortion or breakage.
- After raising the moving drop side, make sure it is locked in place.
- When a child is able to climb out, reaches the height of 35 in. (90 cm) or when the height of the side rail is less than 3/4 of the child's height, the crib shall no longer be used.
- If refinishing, use a non-toxic finish specified for children's products.
- **DO NOT** leave a child in a crib with the side lowered. Be sure the moving drop side is in the raised and locked position whenever a child is in the crib.
- When a child is able to pull to a standing position, set the mattress to the lowest position and remove bumper pads, large toys and other objects that could serve as steps for climbing out.
- Never use plastic shipping bags or other plastic films as mattress covers because they can cause suffocation.
- Do not tie pacifiers, necklaces, or any other items around a child's neck or on crib parts. This could cause strangulation.
- **DO NOT** use a water mattress with this crib.
- Replace teething rail(s) if damaged or loose.
- **CAUTION:** Any mattress used in this crib must be at least 27 1/4 in by 51 5/8 in (69 cm x 131 cm) with a thickness not exceeding 6 in (15 cm).
- Use a crib as a crib, not as a play pen. Remember that a crib is not a substitute for a parent's supervision.
- Parents should ensure a safe environment for their child by checking the crib regularly before placing the child in the product. Please make sure that every component is properly and securely in place.
- When re-assembling the crib for your second child, please keep in mind that the screw holes will need to be filled in order for the screws to grip to the wood. Talk to your local hardware store or lumber yard about how to do this properly.

ONE YEAR LIMITED WARRANTY:

We will replace any missing parts at the time of purchase or any defective items within a one year period from the date of original purchase. Please keep your receipt so that we may process your warranty request. This warranty only covers new units with original packaging and ownership, and is not transferable. It does not cover any used, secondhand or demo models.

This warranty does not cover any damaged or defective parts that result from installation and assembly, normal wear and tear, abuse, negligence, improper use or alteration to the finish, design, and hardware of the crib. The specific legal rights of this warranty may vary from state to state. Some states do not allow any exclusion or limitation of incidental or consequential damages. Some states do not allow limitation on how long an implied warranty lasts.

Care and cleaning:

Do not scratch or chip the finish. Do not use abrasive chemicals for cleaning. Clean with mild soap on a soft rag. Rinse and dry thoroughly, and wax occasionally. If you ever refinish this furniture, be sure to use only a non-toxic finish specified for children's products.

IF YOU WOULD LIKE TO ORDER REPLACEMENT OR MISSING PARTS PLEASE VISIT US AT:

WWW.MILLIONDOLLARBABY.COM

OR YOU CAN CONTACT US BY MAIL.

**MILLION DOLLAR BABY
855 WASHINGTON BLVD.
MONTEBELLO, CA 90640**