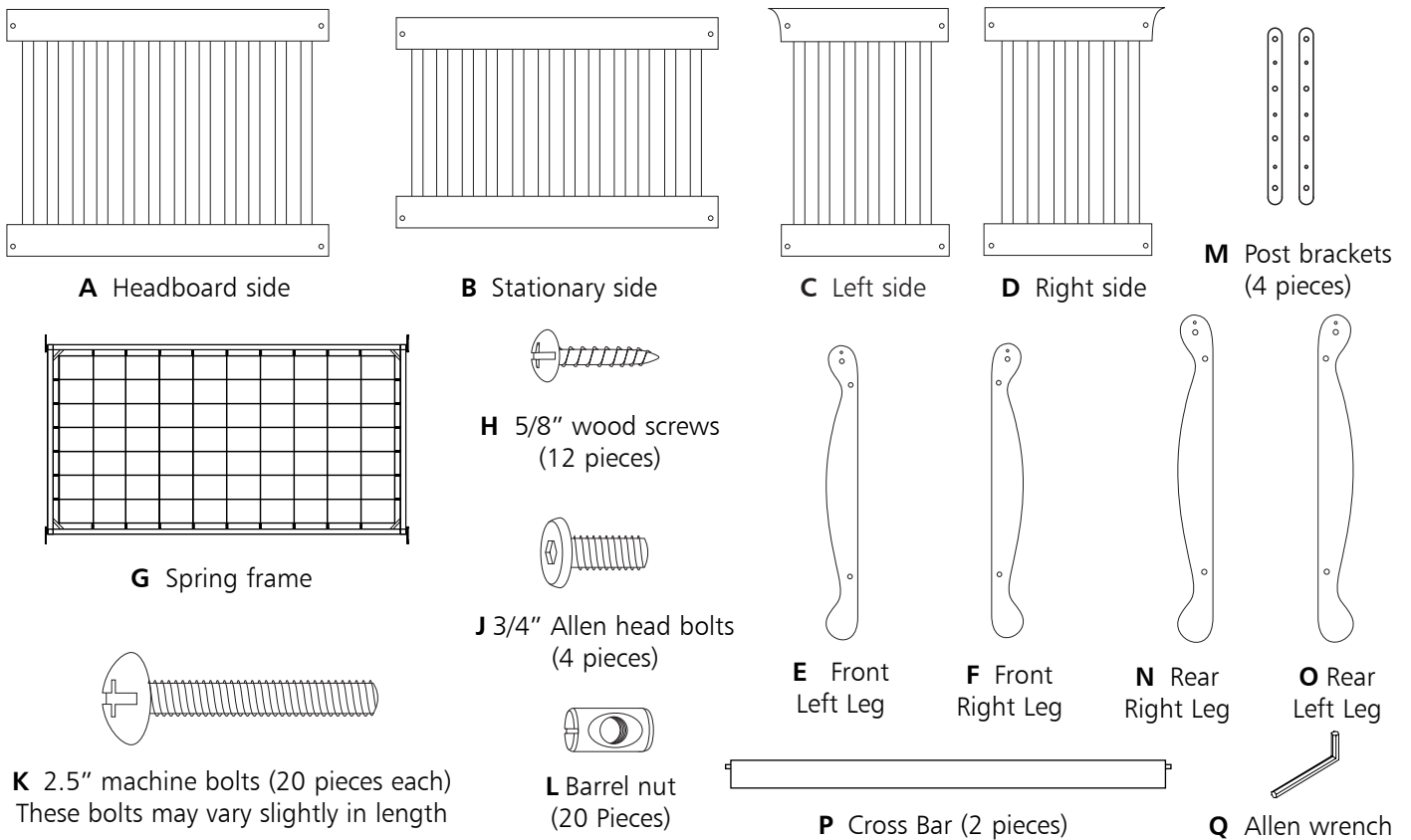


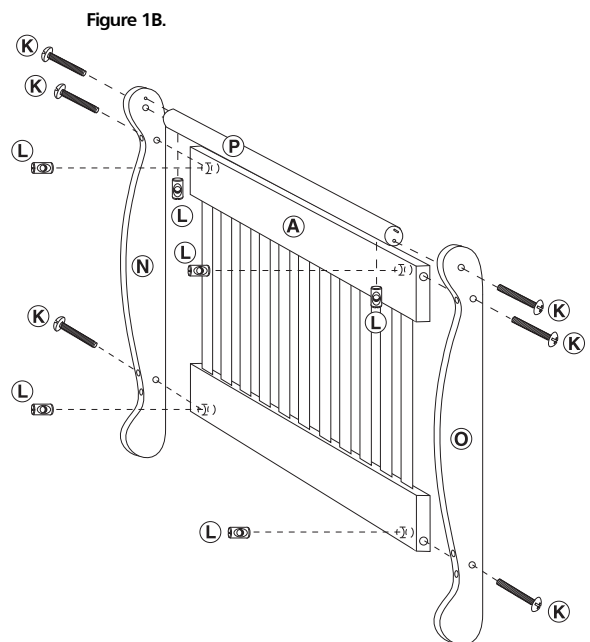
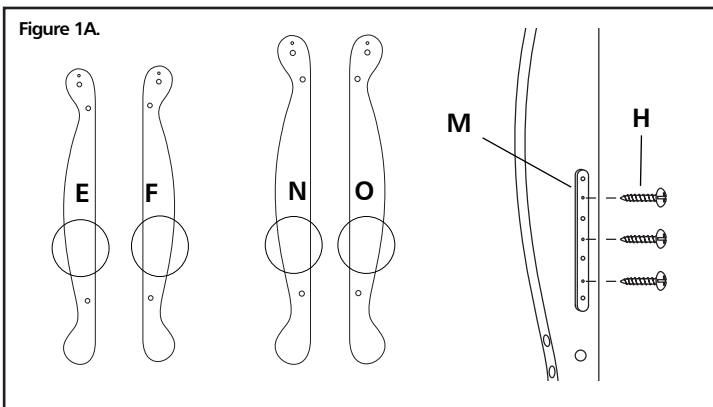
# CRIB ASSEMBLY & OPERATION MANUAL

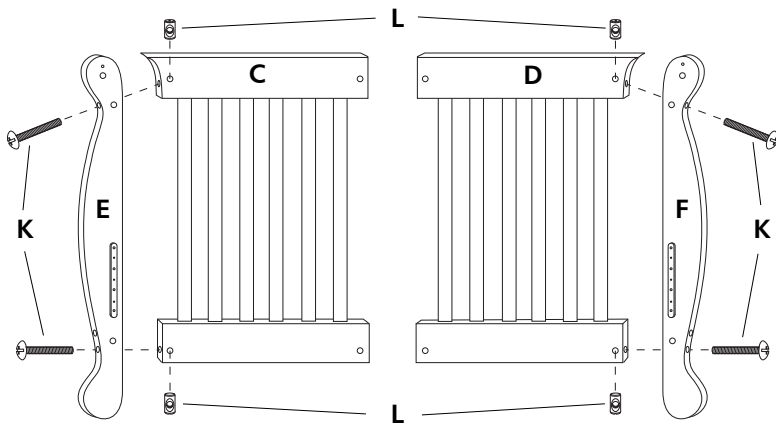
This crib will provide many years of service if you adhere to the following guidelines for assembly, maintenance and operation. This crib is for residential use only. Any institutional use is strictly prohibited. Ask your dealer or visit our website for replacement of missing parts if needed. Please be sure to follow the instructions for proper assembly. Do not use power screw drivers. All screw holes have been pre-drilled or have metal inserts. Be sure to tighten all screws firmly. All of our cribs are made from natural hardwoods. Please understand that natural woods have color variations which are the result of nature and are not defects in workmanship. **Do not substitute parts. All models have the same quantity of parts and hardware. Your model may look different from the one illustrated due to stylistic variations.**



**1** 1A - Attach one post bracket **M** to each mid-section of front and rear left legs **E & N** and right leg **F & O**. Use three 5/8" wood screws **H** for each post bracket **M**.

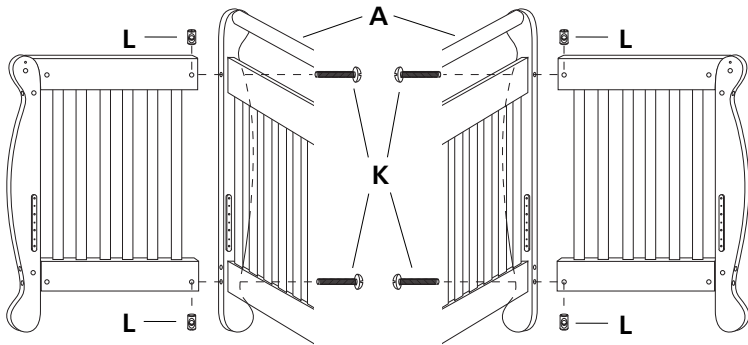
1B - The headboard assembly consists of rear left leg **N**, and rear right leg **O**, headboard side **A**, and cross bar **P**.





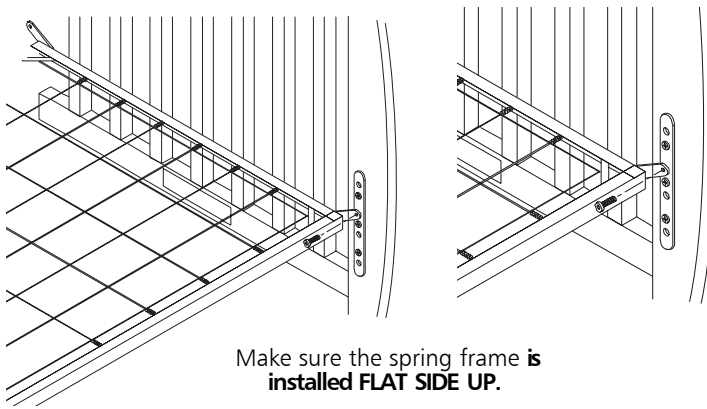
**2** Attach left leg **E** to left side **C** using 2 machine bolts **K** and 2 barrel nuts **L**.

Attach right leg **F** to left side **D** using 2 machine bolts **K** and 2 barrel nuts **L**.



**3** Attach the completed left and right sides to the headboard **A** using 2 machine bolts **K** and 2 barrel nuts **L** for each headboard.

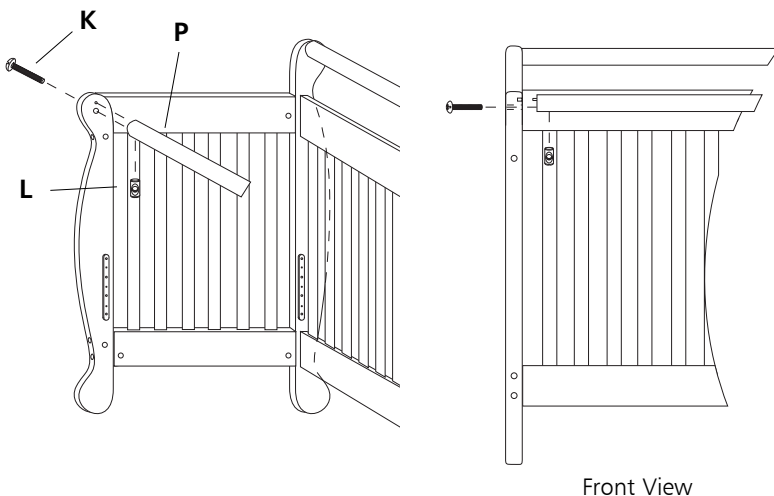
Make sure the sides are installed correctly with the metal post brackets facing towards the inside of the crib.



**4** Swing out four hangers at corner of the spring frame **G** carefully. Attach spring frame **FLAT SIDE UP**. Choose the height of the spring frame. Start at the highest level and adjust accordingly.

Bolt the spring frame **G** to the brackets using allen head bolts **J** and allen wrench **Q**. As the child grows, it is important to lower the spring.

**Make sure the spring frame is level.**



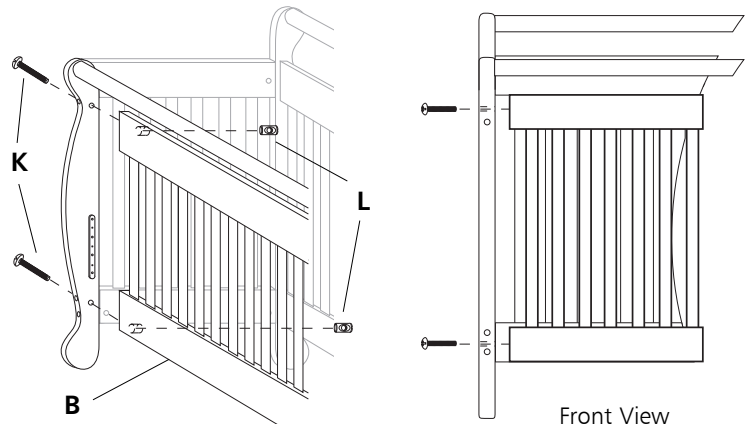
**5** Attach cross bar **P** to the left and right side with 2 machine bolts **K** and 2 barrel nuts **L**. Make sure to insert the cross bar dowel into the correct hole on the left and right legs before inserting the machine bolts.

**Do not tighten the screws as you will need to install the stationary side.**

- 6** Attach stationary side **B** to the left and right sides with 4 machine bolts **K** and 4 barrel nuts **L**.

**Be sure to tighten the cross bar screws now that you have installed the stationary side.**

Recheck all screws and bolts to be sure they are fastened securely. **Do not overtighten.**



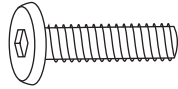
Before placing your mattress in the crib, you can make your own mattress protector by cutting the cardboard packing insert into a 27"x51" board and placing it on the spring frame under the mattress. This will extend the life of your mattress and provide additional support.

**Before using your crib, please read all cautionary statements on the insert sheet.**

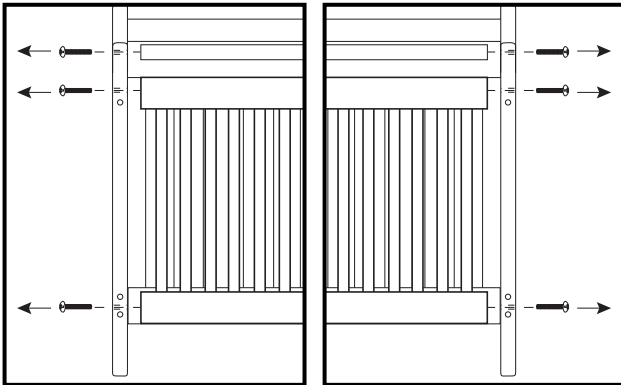
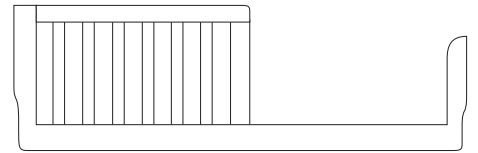
**KEEP THIS MANUAL INSIDE THE PLASTIC BAG (N) AND NYLON TIES PROVIDED AND TIE IT PERMANENTLY TO THE MATTRESS SUPPORT FOR FUTURE REFERENCE.**

## DAY BED ASSEMBLY

**W** 4 x 1 3/8" Allenhead bolts

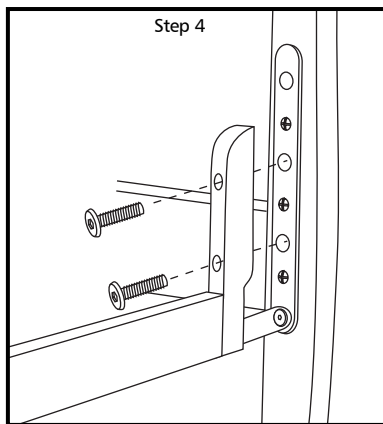
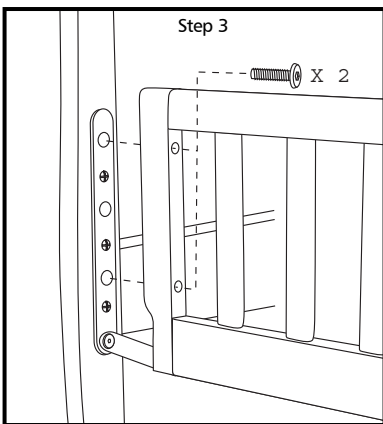
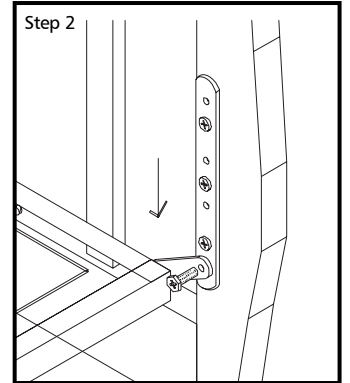


**Y** Guard rail



- 1** Unscrew the 6 machine bolts **K** and barrel nuts **L** and remove the cross bar **P** and stationary side **B**.

- 2** Next, move the spring frame **G** to the lowest level.



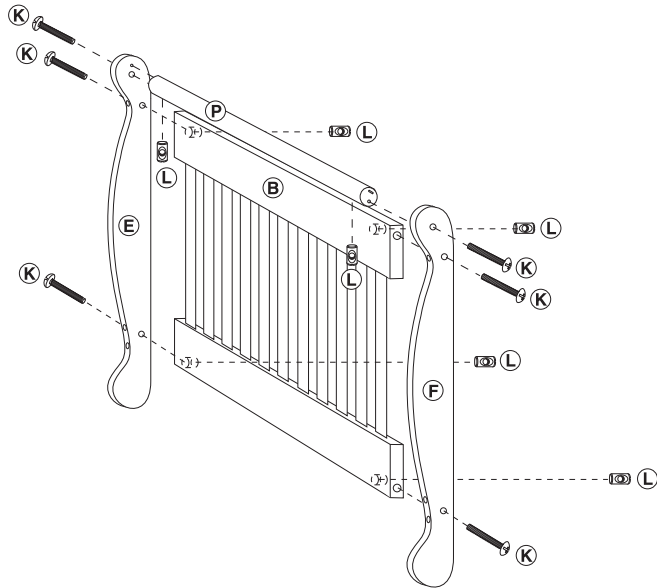
- 3** Attach guard rail **Y** to each post bracket on the drop side with 2 allen head bolts **W**.

**The guard rail illustrated here is installed with the high end on the left side. It can be reversed with the high end on the right.**

- 4** Attach the other two 2 allen head bolts **W** to the other side of the guard rail.

Recheck all screws and bolts to be sure they are fastened securely. **Do not overtighten.**

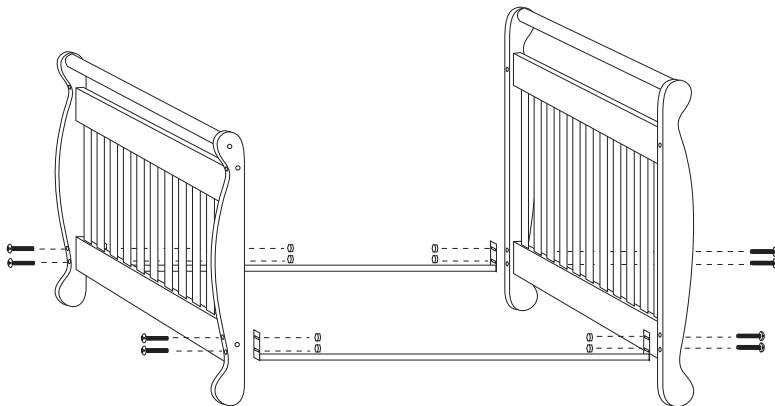
# FULL SIZE CONVERSION ASSEMBLY



**1** The footboard assembly consists of left leg **E**, right leg **F**, stationary side **B**, and cross bar **P**.

Use 3 machine bolts **K** and 3 barrel nuts to attach left leg **E** to stationary side **B** and cross bar **P**.

Complete the assembly by attaching right leg to stationary side **B** and cross bar **P** using 3 machine bolts **K** and 3 barrel nuts.



**2** Attach the headboard and footboard assembly with the full size rail conversion kit\* (sold separately). Attach the rails using 8 machine bolts and 8 nuts provided.

\*Rails shown are standard full size metal rail kits sold in any mattress store. We carry matching full size wood rails.

You can order the Emily Wood Full Size Bed Rails from our web site's accessory store.

Visit us at  
<http://www.milliondollarbaby.com>

Please refer to the label (figure below) on the inside face of the headboard. Record the model/item number and serial number of your crib, name of store where you made the purchase, date of purchase and wood finish in the box to the lower right.

**WE WILL ASK YOU FOR YOUR SERIAL NUMBER FOR ALL WARRANTY AND REPLACEMENT PART REQUESTS. PLEASE REFER TO THE BOTTOM OF THIS INSTRUCTION SHEET FOR WARRANTY INFORMATION. KEEP THIS MANUAL INSIDE THE PLASTIC INSERT TIED TO THE MATTRESS SUPPORT FOR FUTURE REFERENCE.**

**"CAUTION: ANY MATTRESS USED IN THIS CRIB MUST BE AT LEAST 27 1/4 INCHES BY 51 5/8 INCHES WITH A THICKNESS NOT EXCEEDING 6 INCHES."**

ITEM NUMBER	XXXX	THIS PRODUCT CONFORMS TO THE APPLICABLE REGULATIONS OF THE CONSUMER PRODUCT SAFETY COMMISSION.	 <b>Million Dollar Baby</b> <i>Exclusively Yours</i> 855 WASHINGTON BLVD. MONTEBELLO, CALIFORNIA
SERIAL NUMBER	XX XXXXXX		

SAMPLE LABEL

Model Number:	_____
Serial Number:	_____
Store Purchased From:	_____
Date of Purchase:	_____
Wood Finish:	_____

**Please read the Caution and Warning Statements insert before using your crib.**

**WARNING:** Failure to follow these warnings and assembly instructions could result in serious injury or death.

**READ ALL INSTRUCTIONS BEFORE ASSEMBLING CRIB. KEEP THE MANUAL FOR FUTURE USE.**

• **WARNING:** Strings can cause strangulation! Do not place items with a string around a child's neck, such as hood strings or pacifier cords. Do not suspend strings over a crib or attach strings to toys.

- **DO NOT** place a crib near a window where cords from blinds or drapes may strangle a child.
- Keep wall decorations, especially those with strings, completely out of a child's reach.
- Before each usage or assembly, inspect crib for damaged hardware, loose joints, missing parts or sharp edges. **DO NOT** use the crib if any parts are missing or broken. Ask your dealer or contact manufacturer for replacement parts and instructional literature if needed. **DO NOT** substitute parts.
- Check fasteners periodically for tightness. Do not overtighten. This may cause distortion or breakage.
- After raising the moving drop side, make sure it is locked in place.
- When a child is able to climb out, reaches the height of 35 in. (90 cm) or when the height of the side rail is less than 3/4 of the child's height, the crib shall no longer be used.
- If refinishing, use a non-toxic finish specified for children's products.
- **DO NOT** leave a child in a crib with the side lowered. Be sure the moving drop side is in the raised and locked position whenever a child is in the crib.
- When a child is able to pull to a standing position, set the mattress to the lowest position and remove bumper pads, large toys and other objects that could serve as steps for climbing out.
- Never use plastic shipping bags or other plastic films as mattress covers because they can cause suffocation.
- Do not tie pacifiers, necklaces, or any other items around a child's neck or on crib parts. This could cause strangulation.
- **DO NOT** use a water mattress with this crib.
- Replace teething rail(s) if damaged or loose.
- **CAUTION:** Any mattress used in this crib must be at least 27 1/4 in by 51 5/8 in (69 cm x 131 cm) with a thickness not exceeding 6 in (15 cm).
- Use a crib as a crib, not as a play pen. Remember that a crib is not a substitute for a parent's supervision.
- Parents should ensure a safe environment for their child by checking the crib regularly before placing the child in the product. Please make sure that every component is properly and securely in place.
- When re-assembling the crib for your second child, please keep in mind that the screw holes will need to be filled in order for the screws to grip to the wood. Talk to your local hardware store or lumber yard about how to do this properly.

**ONE YEAR LIMITED WARRANTY:**

We will replace any missing parts at the time of purchase or any defective items within a one year period from the date of original purchase. Please keep your receipt so that we may process your warranty request. This warranty only covers new units with original packaging and ownership, and is not transferable. It does not cover any used, secondhand or demo models.

This warranty does not cover any damaged or defective parts that result from installation and assembly, normal wear and tear, abuse, negligence, improper use or alteration to the finish, design, and hardware of the crib. The specific legal rights of this warranty may vary from state to state. Some states do not allow any exclusion or limitation of incidental or consequential damages. Some states do not allow limitation on how long an implied warranty lasts.

**Please keep your receipt so that we may process any parts request.**

**Registering your product is even easier than before. You can register your product on our website at [www.milliondollarbaby.com](http://www.milliondollarbaby.com).**

**Care and cleaning:**

Do not scratch or chip the finish. Do not use abrasive chemicals for cleaning. Clean with mild soap on a soft rag. Rinse and dry thoroughly. If you ever refinish this furniture, be sure to use only a non-toxic finish specified for children's products. If you choose to refinish this furniture, the warranty will be voided.

IF YOU WOULD LIKE TO ORDER REPLACEMENT OR MISSING PARTS PLEASE VISIT US AT:

**[WWW.MILLIONDOLLARBABY.COM](http://WWW.MILLIONDOLLARBABY.COM)**

OR YOU CAN CONTACT US BY MAIL.

**MILLION DOLLAR BABY  
855 WASHINGTON BLVD.  
MONTEBELLO, CA 90640**