






M4722 Emily 4 Drawer Dresser Package Contents


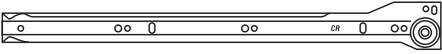
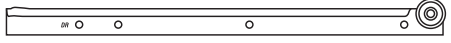

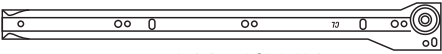

!!PLEASE READ!!: Assembly of this furniture is easier with two people. Assemble furniture on debris free carpets or on the enclosed foam sheets to prevent scratching of finish. Do not overtighten screws.

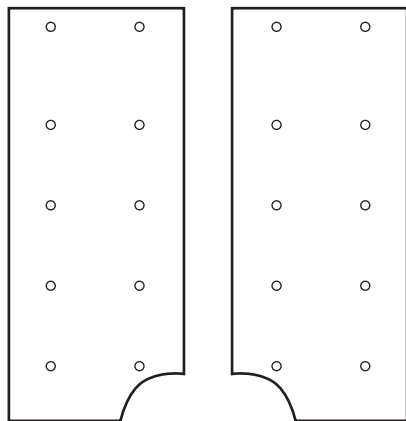
WARNING: USING ANY POWER TOOLS TO ASSEMBLE THIS FURNITURE MAY POTENTIALLY STRIP THE WOOD. DO NOT USE.

Hardware

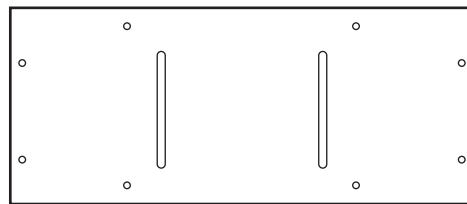
Tools required: Phillips screwdriver, Flat-head screwdriver.

				
(H1) 1 1/8" Machine Bolt X 32	(H2) Cam Bolts X 8	(H3) Cam Lock X 8	(H4) Knob X 8	(H5) Knob Screw X 8

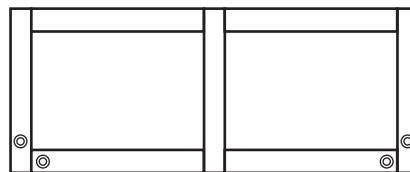
		
(H6) Small Wood Screw X 68	(H8) Right Panel Glide X 4	(H10) Right Drawer Glide X 4
		
(H7) Large Wood Screw X 16	(H9) Left Panel Glide X 4	(H11) Left Drawer Glide X 4



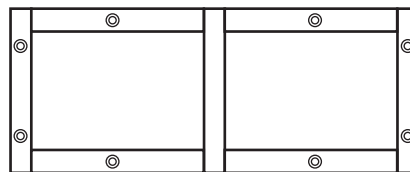
(A) Right End Panel X 1 **(B)** Left End Panel X 1



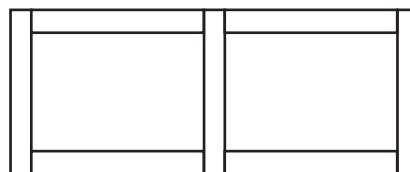
(E) Dresser Top X 1



(F) Bottom Support Frame X 1



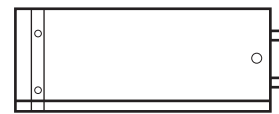
(G) Top Support Frame X 1



(H) Support Frame X 3



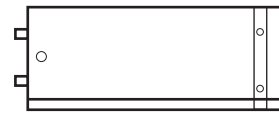
(I) Back Panel Cross Bar X 1



(J) Left Drawer Panel X 4



(L.1) Left Feet



(K) Right Drawer Panel X 4



(L.2) Right Feet



(M) Front Drawer Panel X 3



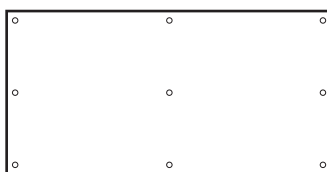
(N) Bottom Drawer Panel X 1



(O) Back Drawer Panel X 4



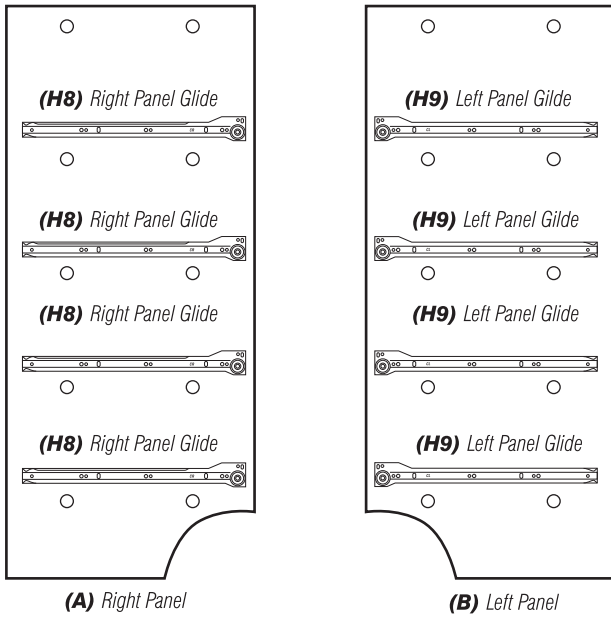
(C) Drawer Bottom Board X 4



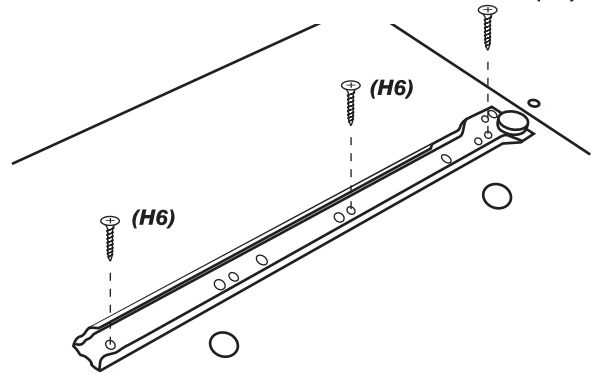
(D) Back Panels X 2 (Top is smaller than Bottom)



(Step 1) Installing the Rail Glides

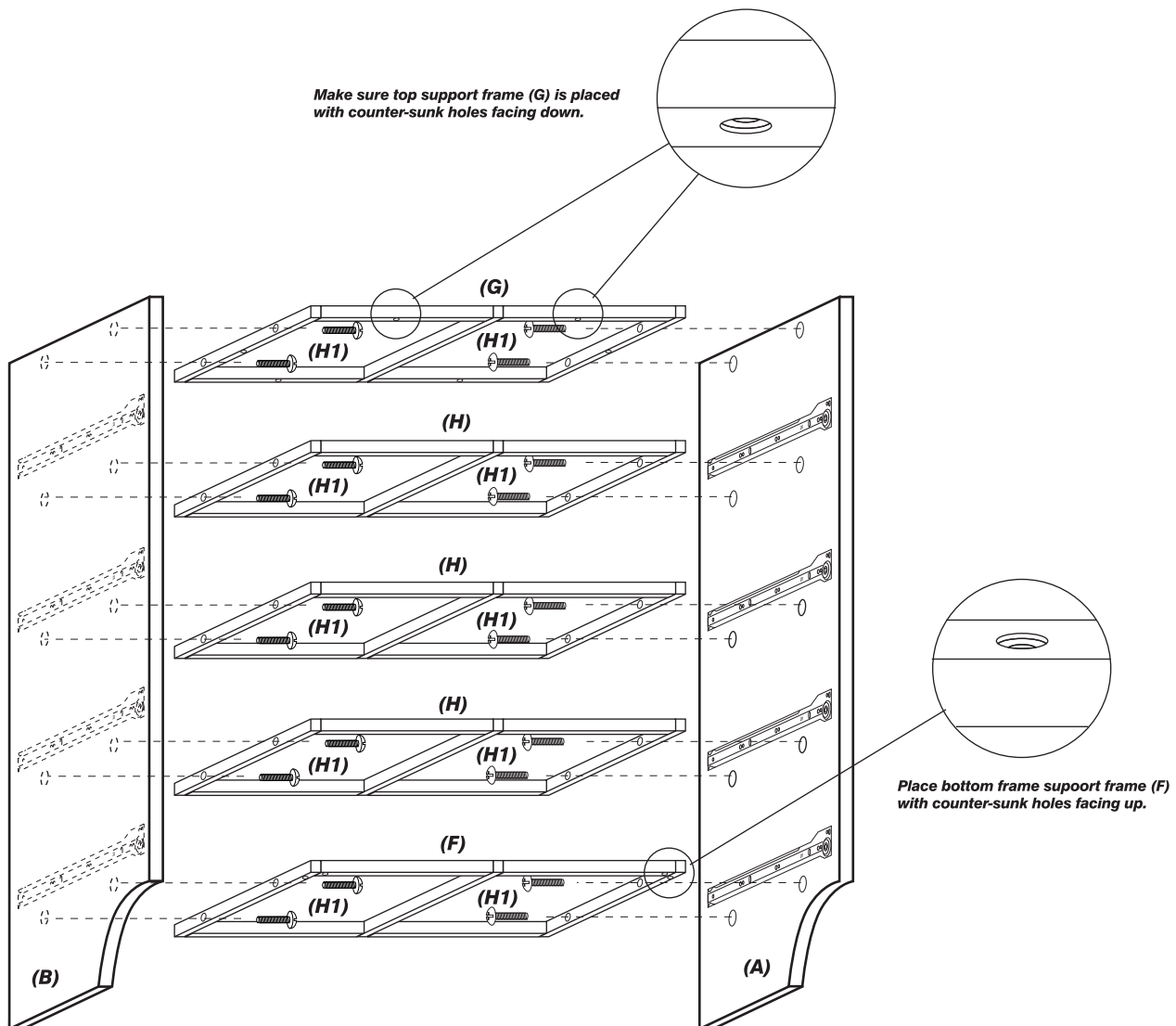


- Close-up of rail H8 installed onto Panel (H6)



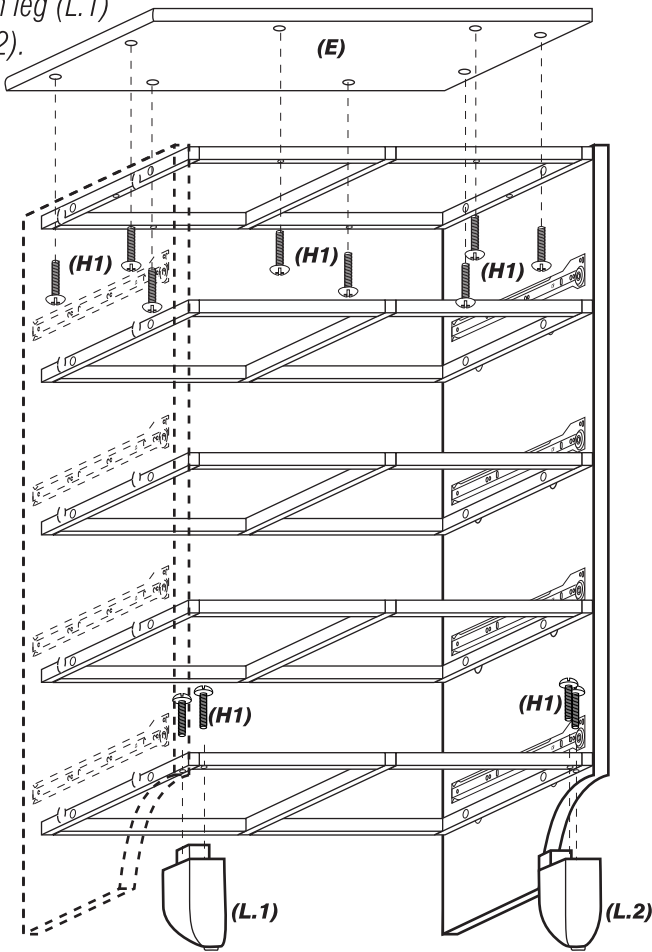
Install the rail glides (H8) and (H9) onto the end panels (A) and (B). Use 3 wood screws (H6) for each glide.

DO NOT OVER TIGHTEN.



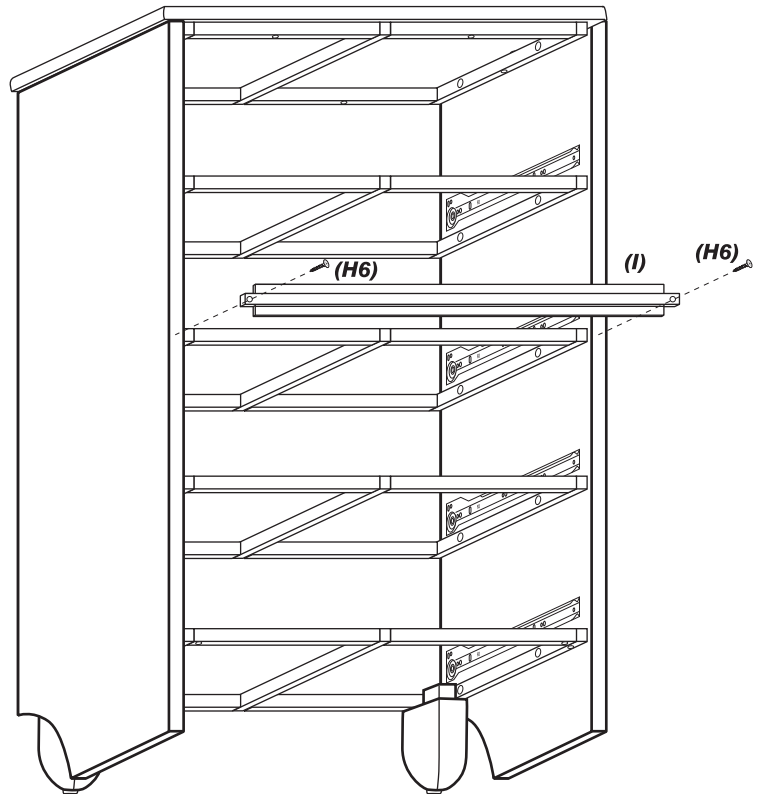
Assemble Dresser Top

:: Use 8 (H1) bolts to install the dresser top (E) and 2 (H1) bolts for each leg (L.1) and (L.2).



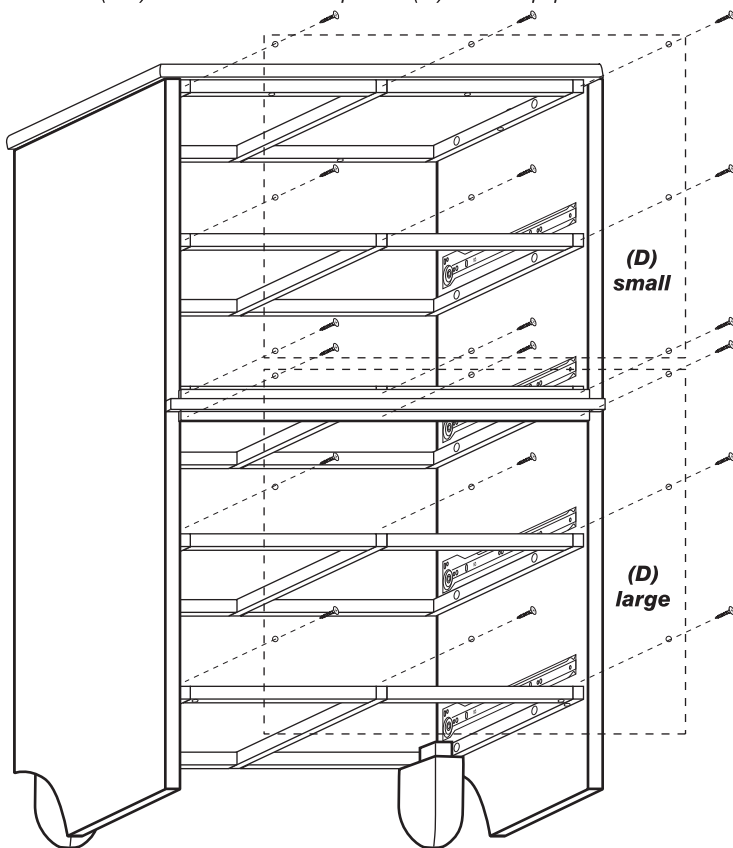
Back Panel Assembly (A)

:: Turn dresser around and install back panel cross bar (I) using 2 screws (H6).



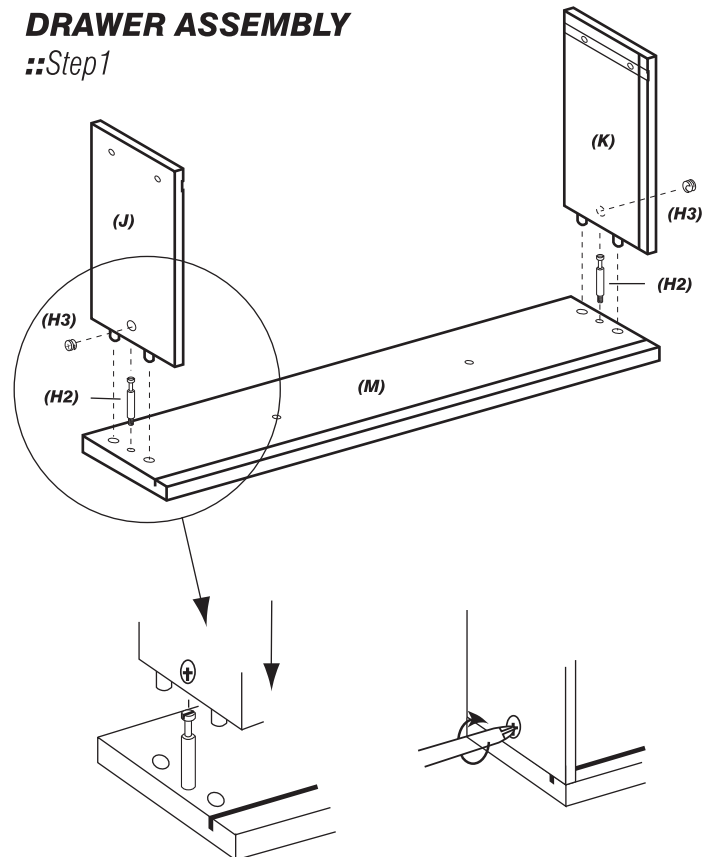
Back Panel Assembly (B)

:: Use 18 (H6) screws for back panel (D). The top panel is smaller.



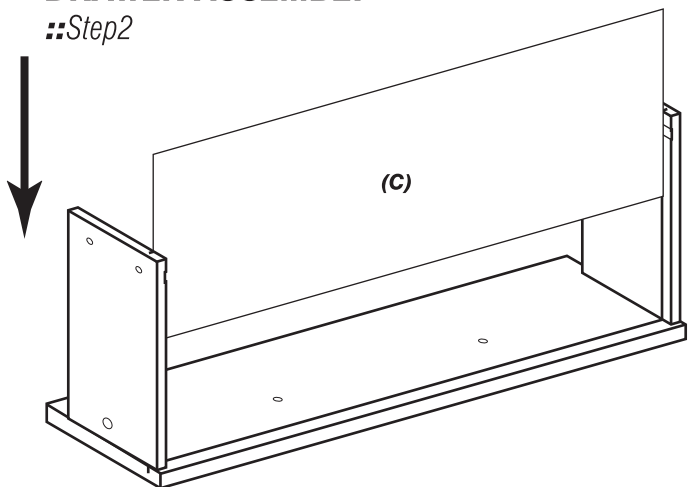
DRAWER ASSEMBLY

:: Step 1



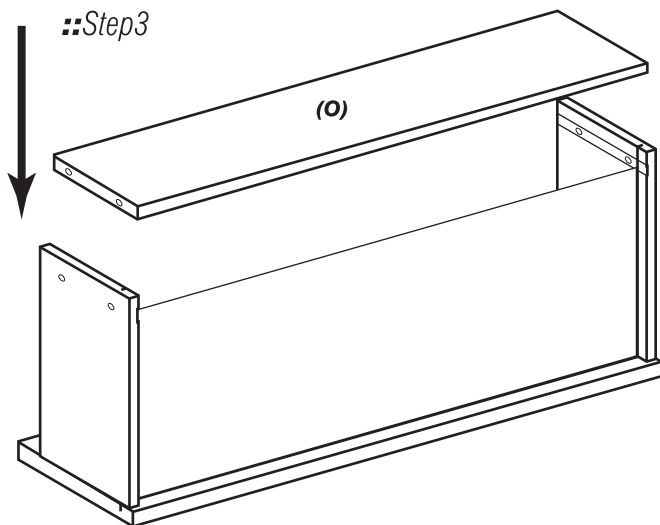
DRAWER ASSEMBLY

::Step2



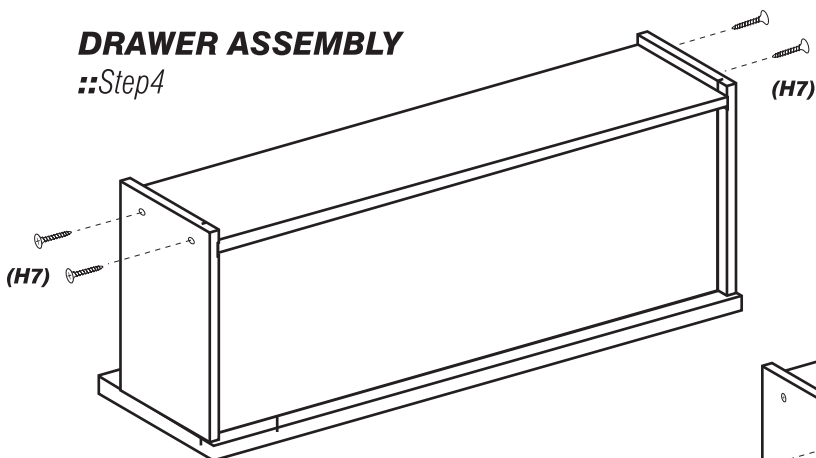
DRAWER ASSEMBLY

::Step3



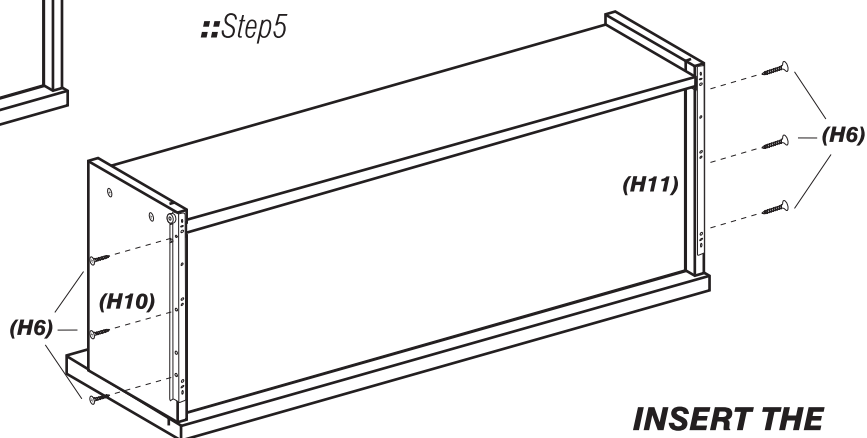
DRAWER ASSEMBLY

::Step4



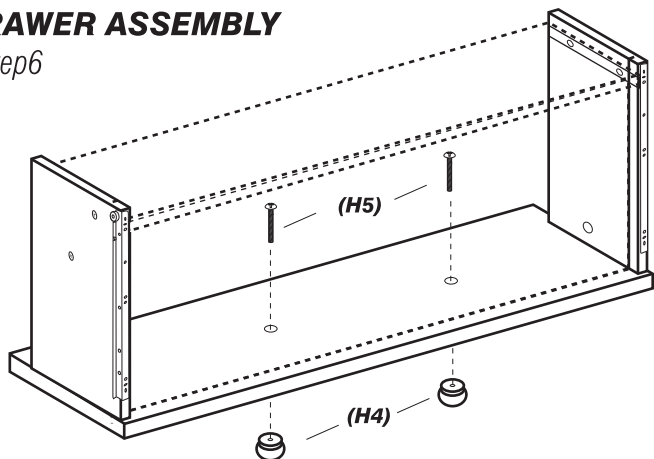
DRAWER ASSEMBLY

::Step5



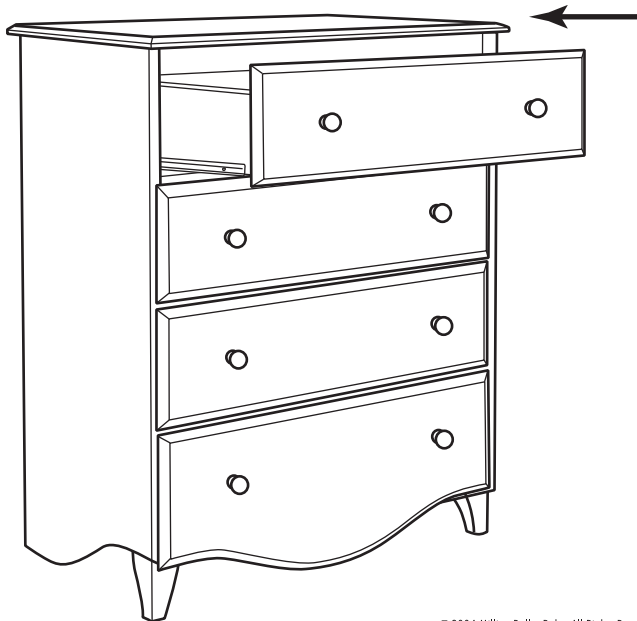
DRAWER ASSEMBLY

::Step6



INSERT THE ASSEMBLED DRAWERS

Remove protective sheeting from Left and Right Panels after completing assembly of the dresser.



IMPORTANT: As with all infant and baby furniture, it is important to check fasteners, screws, and bolts periodically for tightness. Do not over-tighten.

This item has a manufacturer's limited one year warranty. Visit our web site at www.milliondollarbaby.com for more information.