

# M4755 Emily 3 Drawer Changer Package Contents

**!!PLEASE READ!!:** Assembly of this furniture is easier with two people. Assemble furniture on debris free carpets or on the enclosed foam sheets to prevent scratching of finish. Do not overtighten screws.

**WARNING:** USING ANY POWER TOOLS TO ASSEMBLE THIS FURNITURE MAY POTENTIALLY STRIP THE WOOD. DO NOT USE.

## Hardware

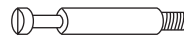
**Tools required: Phillips screwdriver, Flat-head screwdriver.**



**(H1)** 2.5" Machine Bolt - Quantity: 4



**(H2)** 1.75" Machie Bolt - Quantity: 12



**(H3)** Cam Bolts- Quantity: 6



**(H4)** Cam Lock - Quantity: 6



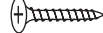
**(H5)** Barrel Nut - Quantity: 4



**(H6)** Nylon Dowel  
Quantity: 16



**(H7)** Wood screw  
Quantity: 36



**(H8)** Wood screw  
Quantity: 12



**(H9)** Knob - Quantity: 6



**(H10)** Knob Screw- Quantity: 6



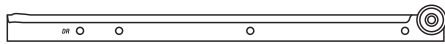
**(SS)** Safety Strap Assembly Quantity: 1



**(H11)** Right Panel Glide - Quantity: 3



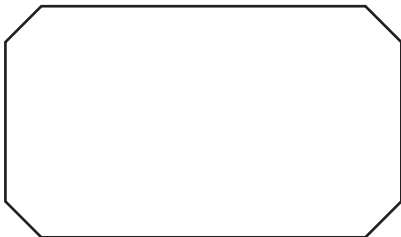
**(H12)** Left Panel Glide - Quantity: 3



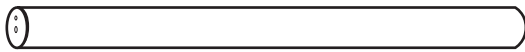
**(H13)** Right Drawer Glide - Quantity: 3



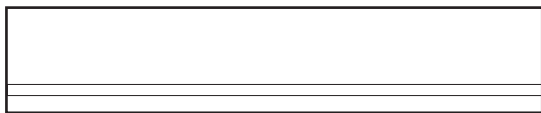
**(H14)** Left Drawer Glide - Quantity: 3



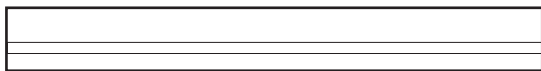
**(C)** Changer Top Shelf - Quantity: 1



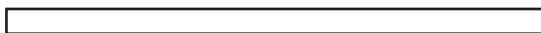
**(D)** Top Round Bars - Quantity: 2



**(E)** Top Back Panel Rail- Quantity: 1



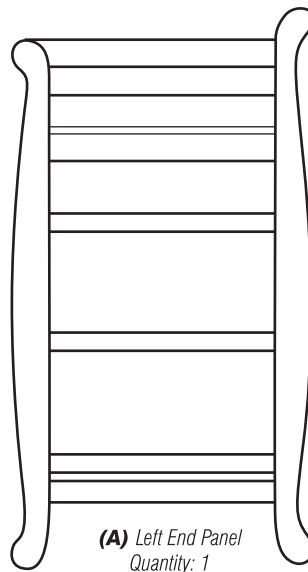
**(F)** Top Front Panel Rail - Quantity: 1



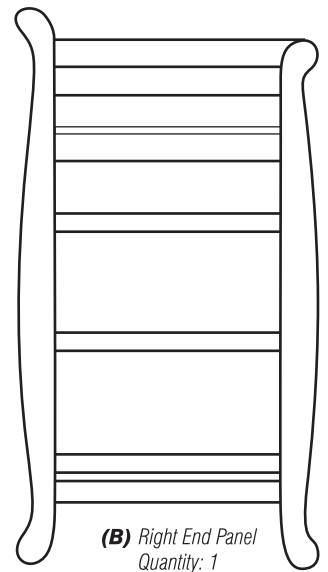
**(G)** Mid-Support Rail - Quantity: 3



**(H)** Bottom Back Panel Support Rail - Quantity: 1



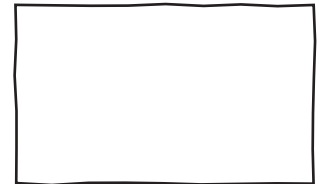
**(A)** Left End Panel  
Quantity: 1



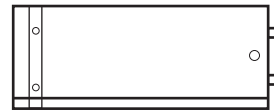
**(B)** Right End Panel  
Quantity: 1



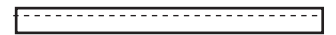
**(J)** Back Panel - Quantity: 1



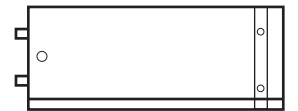
**(K)** Changer Pad - Quantity: 1



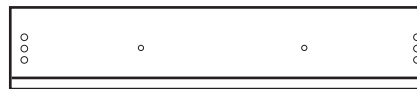
**(D1)** Left Drawer Panel - Quantity: 3



**(L)** Panel Support Piece - Quantity: 2



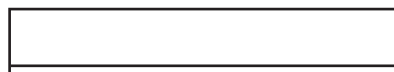
**(D2)** Right Drawer Panel - Quantity: 3



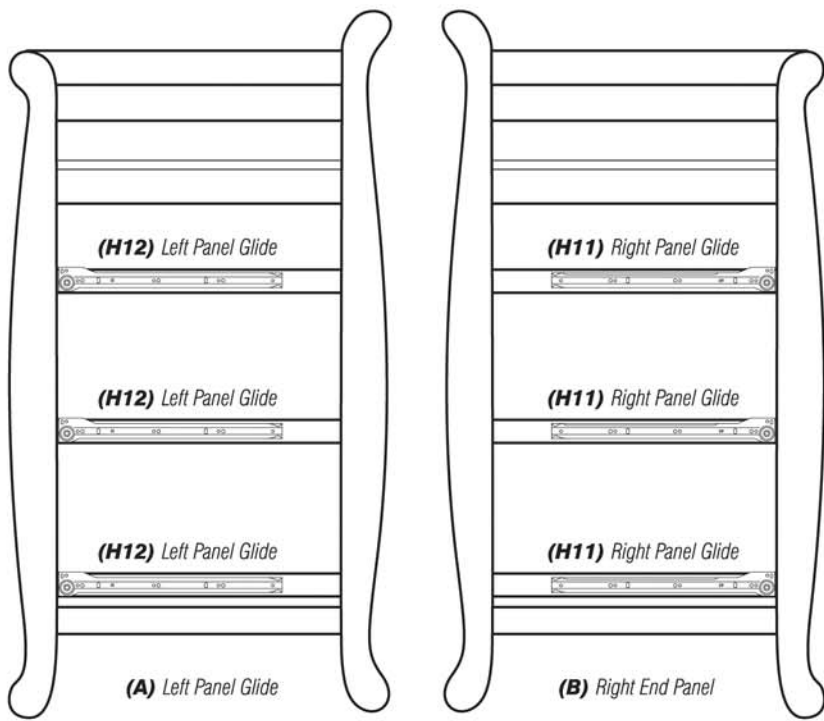
**(D3)** Front Drawer Panel - Quantity: 3



**(D5)** Drawer Bottom Board- Quantity: 3

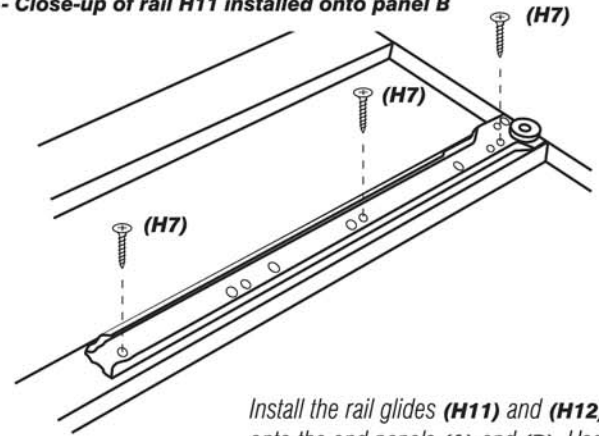


**(D4)** Back Drawer Panel - Quantity: 3



**(Step 1) Installing the Rail Glides**

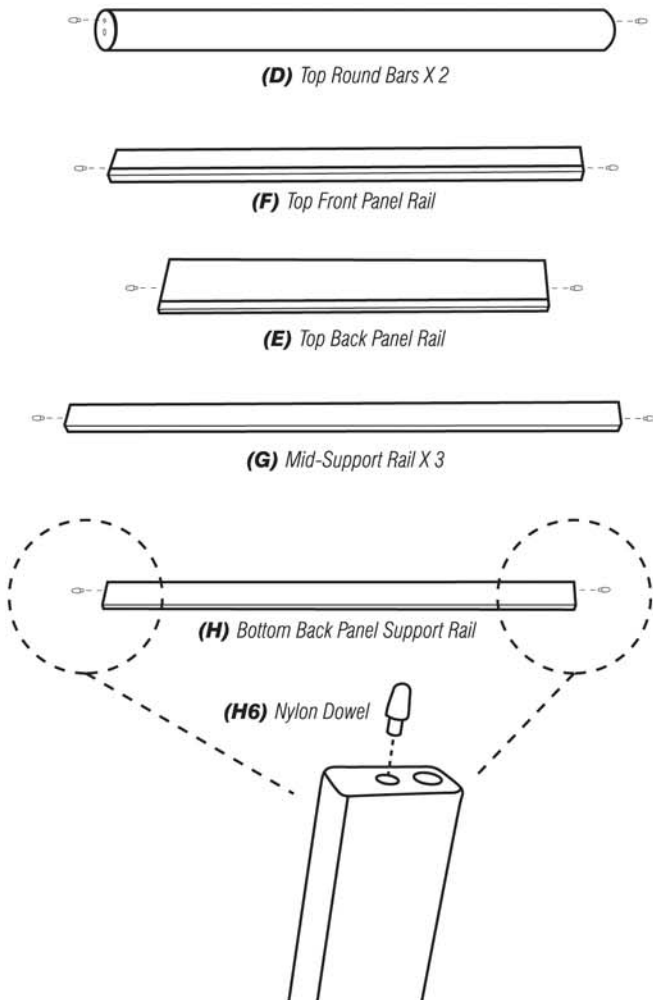
- Close-up of rail H11 installed onto panel B



Install the rail glides (H11) and (H12) onto the end panels (A) and (B). Use 3 wood screws (H7) for each glide.

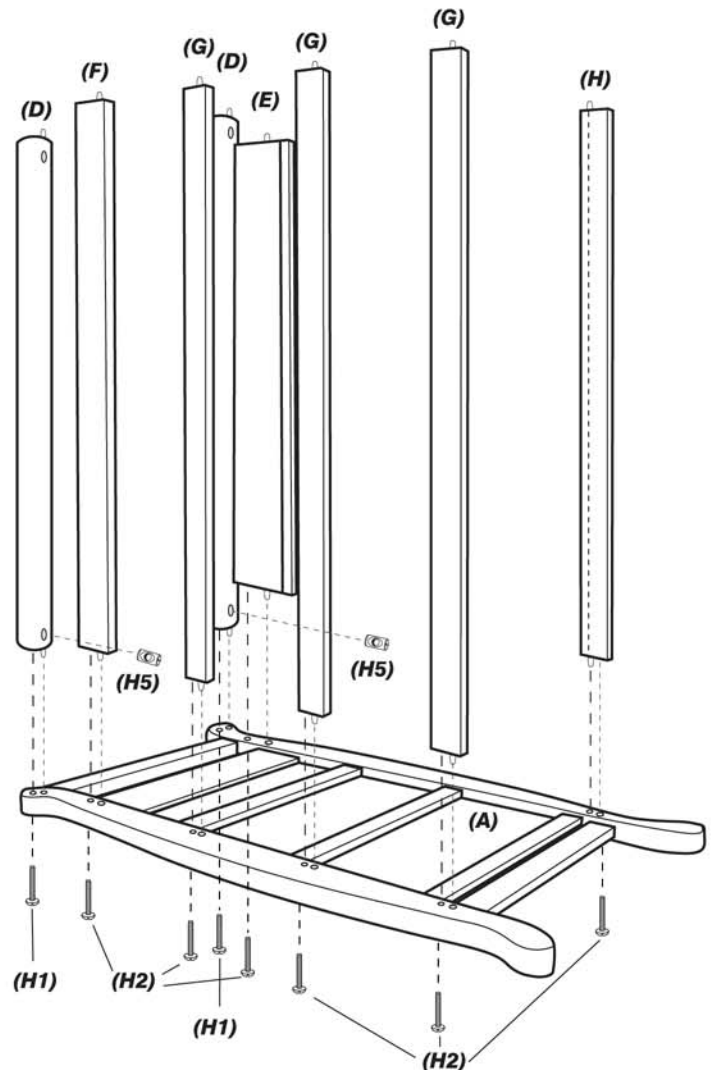
DO NOT OVER TIGHTEN.

**(Step 2) Insert Nylon Dowels H6 into the rails and bars**

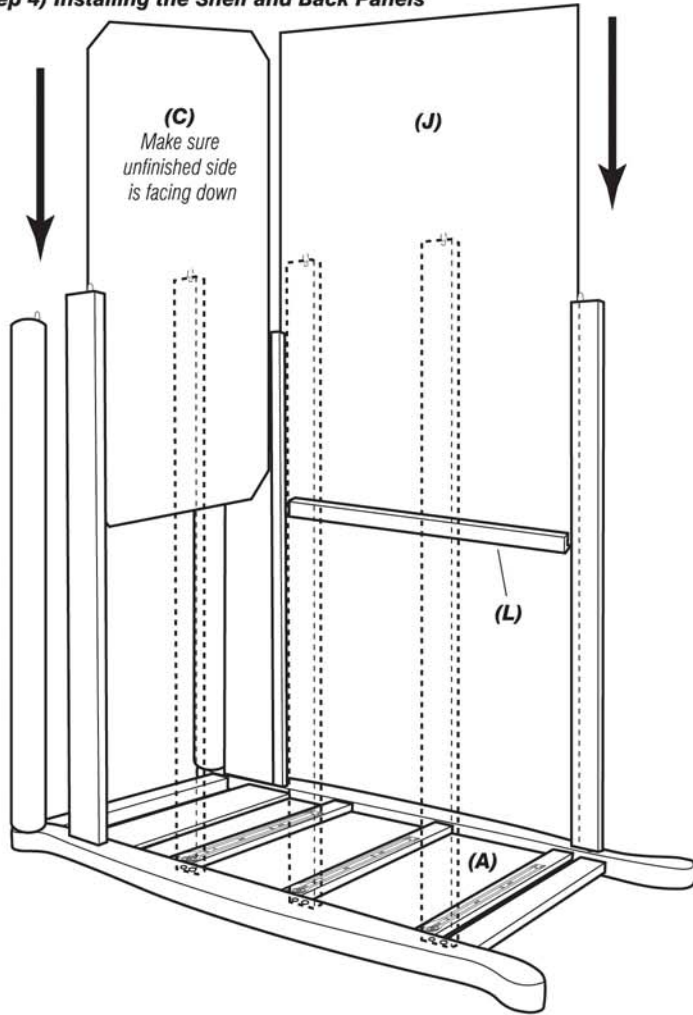


**(Step 3) Installing the Wood Rails**

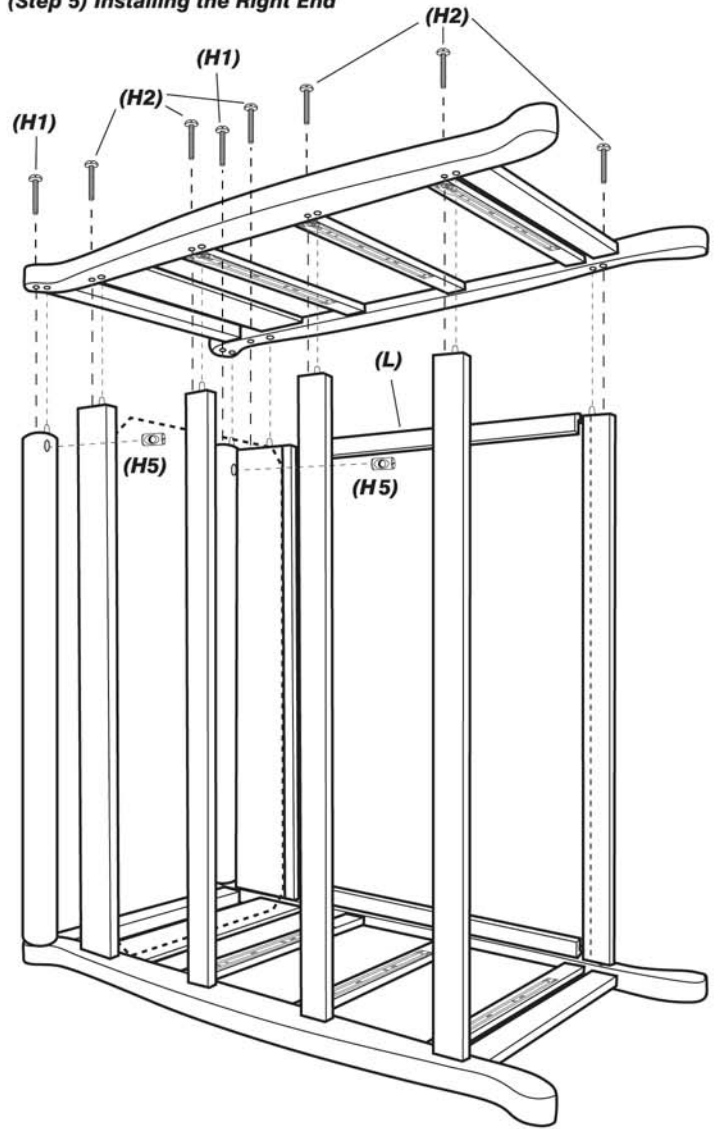
- Attach the wood rails to the end panel as shown. Assembly is much easier with two people.



**(Step 4) Installing the Shelf and Back Panels**

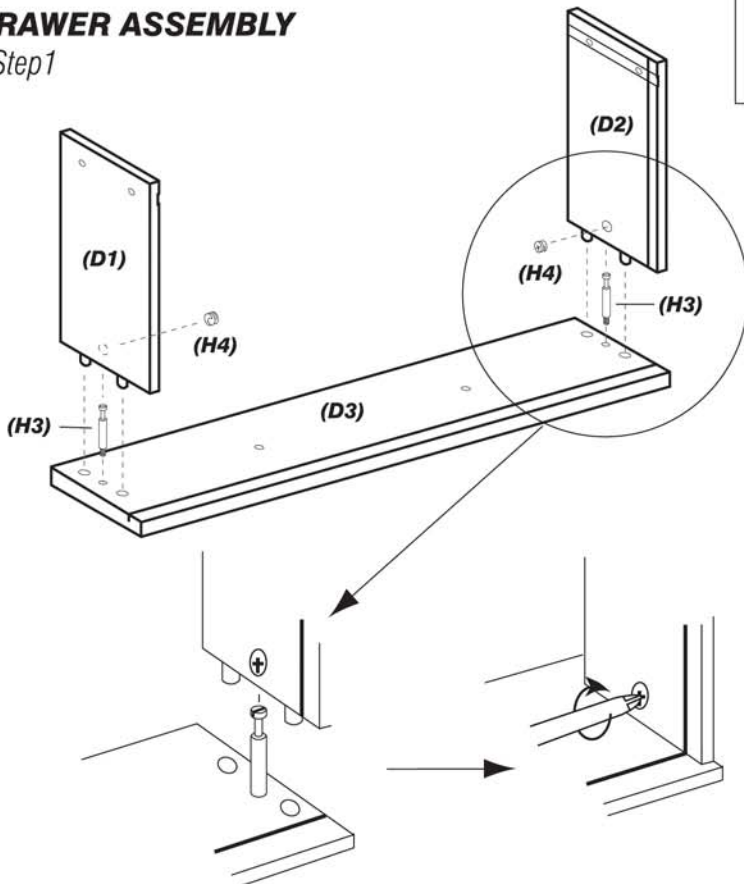


**(Step 5) Installing the Right End**



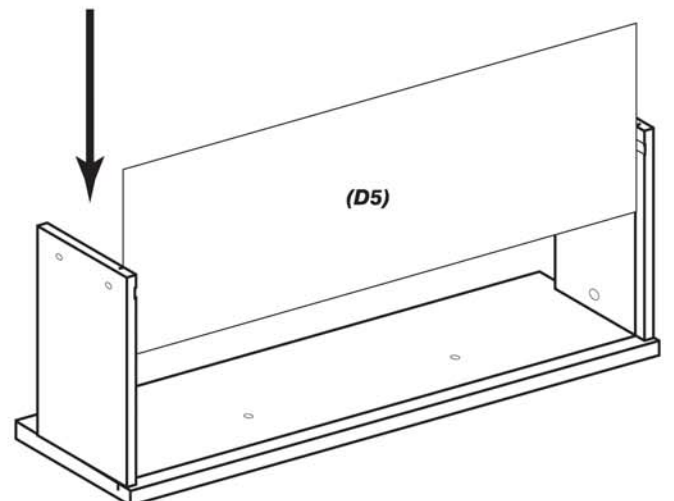
**DRAWER ASSEMBLY**

**::Step 1**



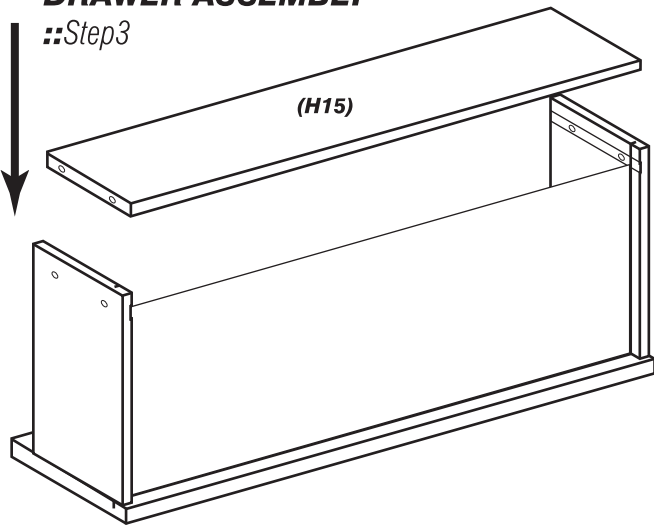
**DRAWER ASSEMBLY**

**::Step 2**



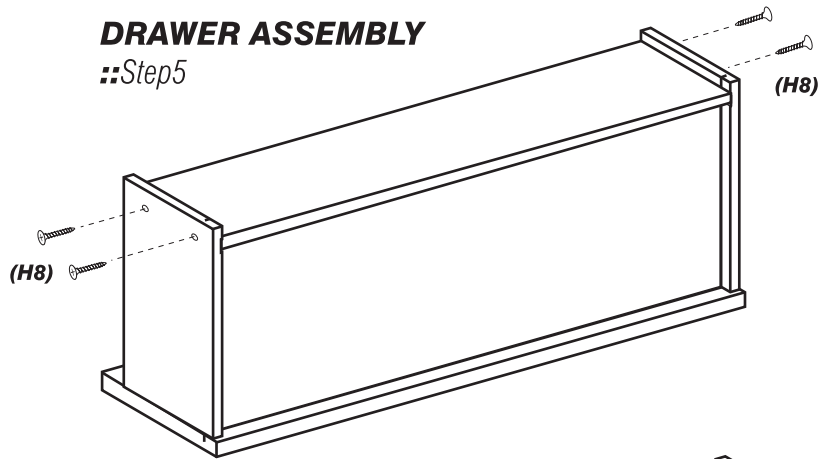
**DRAWER ASSEMBLY**

::Step3



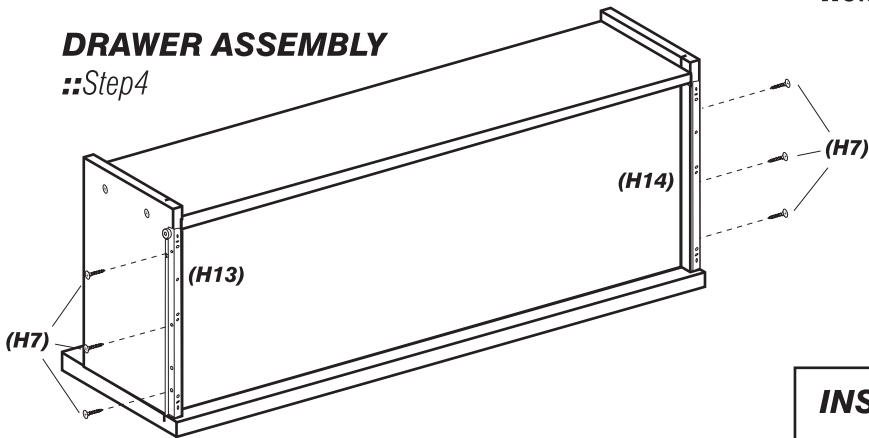
**DRAWER ASSEMBLY**

::Step5



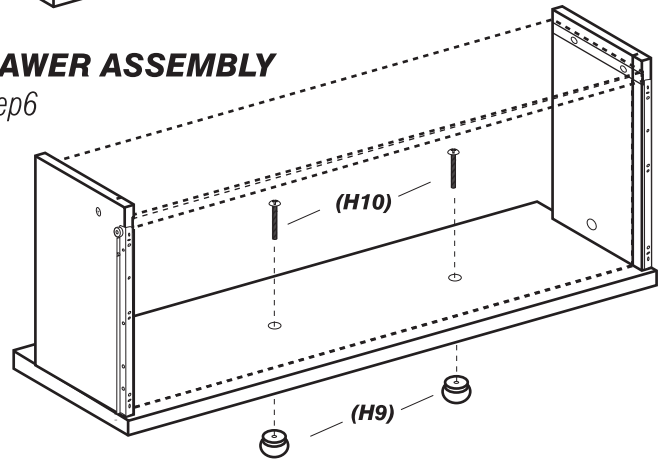
**DRAWER ASSEMBLY**

::Step4



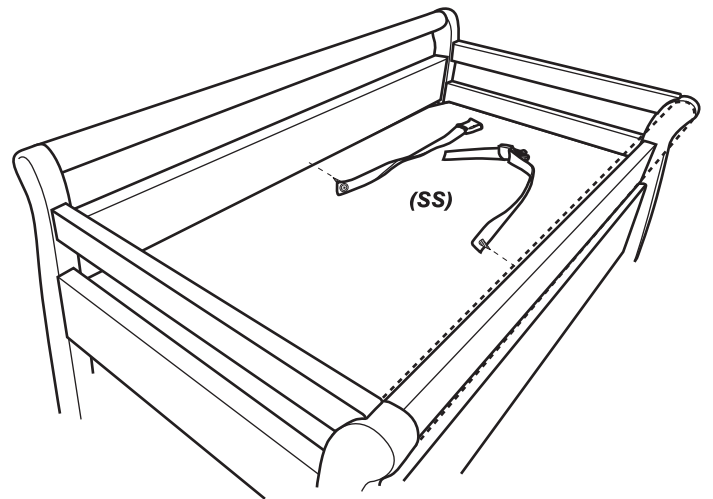
**DRAWER ASSEMBLY**

::Step6

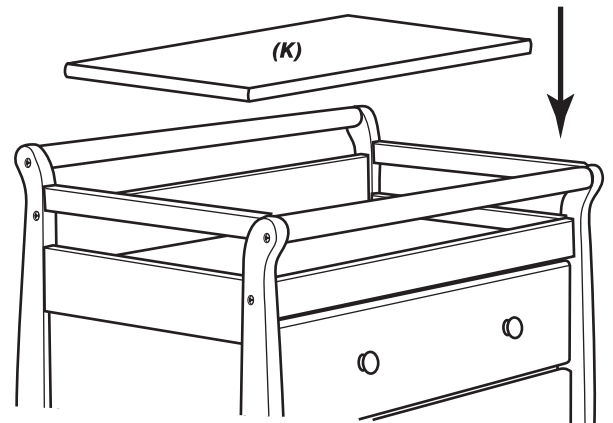


**INSERT THE ASSEMBLED DRAWERS**

**INSTALL THE SAFETY STRAPS**



**PLACE PAD INTO CHANGER**



**IMPORTANT: As with all infant and baby furniture, it is important to check fasteners, screws, and bolts periodically for tightness. Do not over-tighten.**

**⚠️ !!WARNING!! PREVENT SERIOUS INJURY OR DEATH FROM FALLS ⚠️**

- Never leave the child unattended
- Secure the child in the restraint when using changer
- Keep the child in view while child is in the changer.

Parents should ensure a safe environment for their child by checking the furniture regularly before placing child in the product. Please make sure every component is properly and securely in place.

This item has a manufacturer's limited one year warranty. Visit our web site at [www.milliondollarbaby.com](http://www.milliondollarbaby.com) for more information.