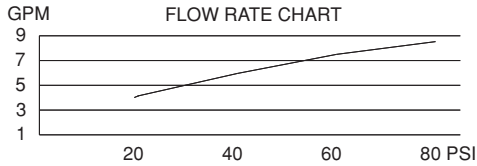


### SINGLE HANDLE PRESSURE BALANCE TUB & SHOWER FAUCET

#### Description

- Single handle with 6" octagon showerhead
- Cast slip-fit spout
- Diverter on valve (Tub & Shower only)
- Back to back installation capabilities

#### Flow & Valving



#### Standards

- ASME A112.18.1
- CSA B125
- ASSE 1016
- Listed IAPMO/UPC
- Energy policy act of 1992
- ADA Accessibility Guidelines for Buildings and Facilities - 4.27.4 Controls and Mechanisms (lever handle only)

#### Warranty

Danze products are covered by a manufacturer's limited "lifetime" warranty for manufacturing defects.



D503066 (shown)  
BRANDYWOOD™

#### With Diverter & Stops:

D503066 (Tub/Shower)  
D503068 (Tub/Shower)

#### With Stops:

D503566 (Shower only)  
D503568 (Shower only)

#### Available Colors & Finish

- Chrome
- Brushed Nickel (BN)

#### Handle Suffix:

66 : cross handle    68 : lever handle

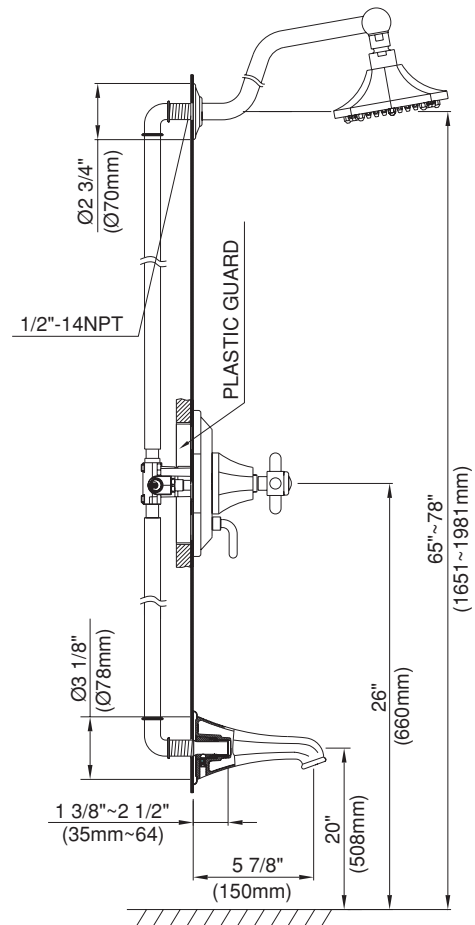
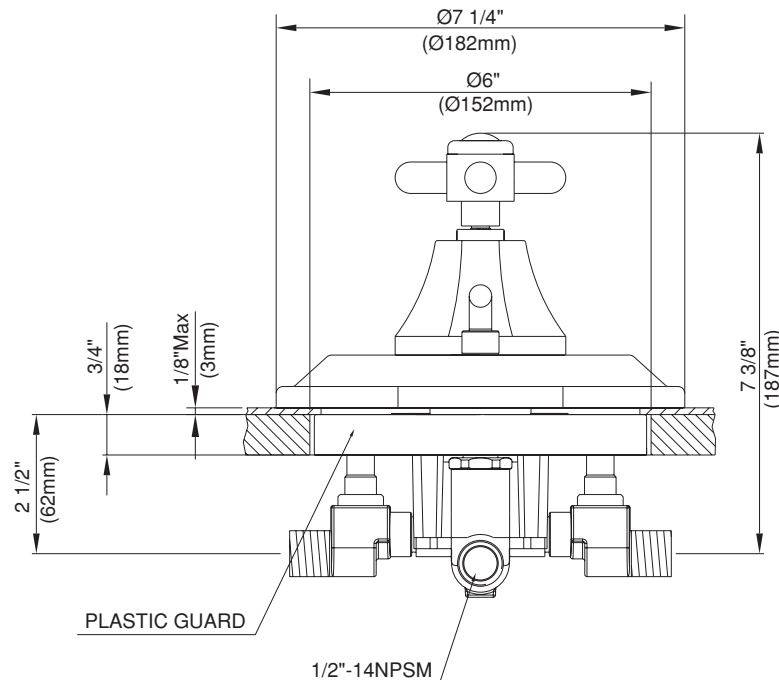


#### Trim Kits: (for use w/pressure balance valves)

- D503066T (Tub/Shower trim)
- D503068T (Tub/Shower trim)
- D503566T (Shower only trim)
- D503568T (Shower only trim)
- D500666T (Tub trim w/valve escutcheon)
- D500668T (Tub trim w/valve escutcheon)

#### Special Packaging

- This product also available with valve packaged separate from trim.
- Tub & Shower Trim Kit - use w/valve: D113000BT (w/diverter & stops)
- Shower Only & Tub Trim Kit - use w/valve: D112000BT (w/stops) or D115000BT (w/o stops)
- Pressure Balance Valves are combination 1/2" copper sweat, 1/2" NPT threaded connectors for all ports.



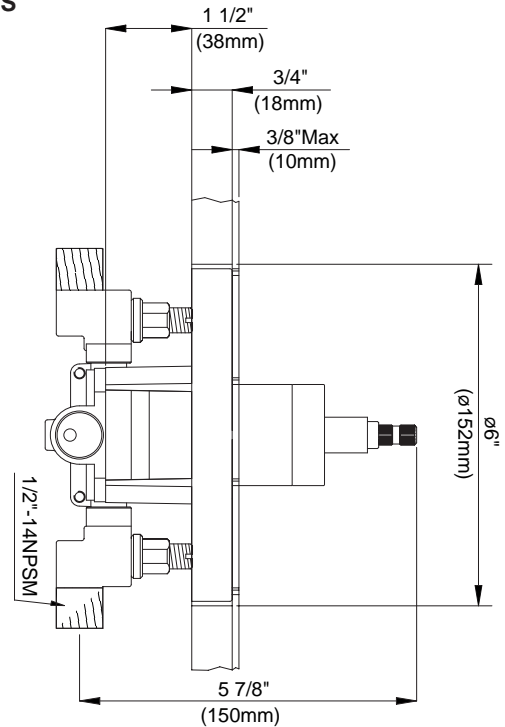
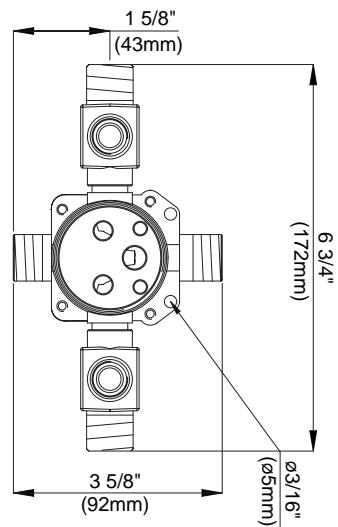
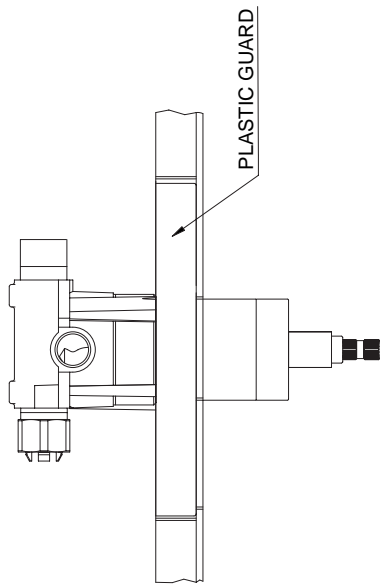
Specific Features: \_\_\_\_\_ Submitted Model No.: \_\_\_\_\_

SD503066/03-06.01

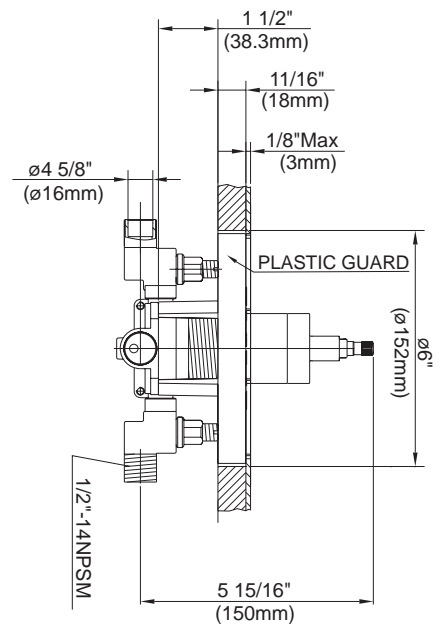
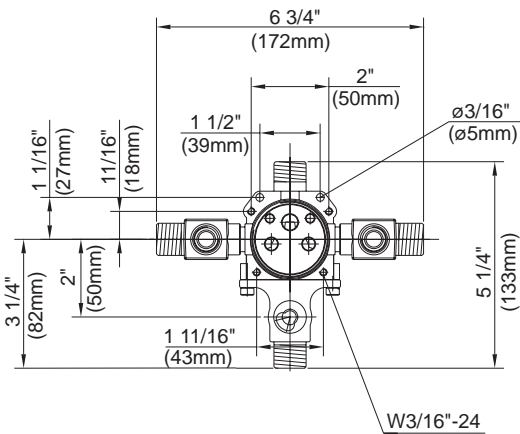
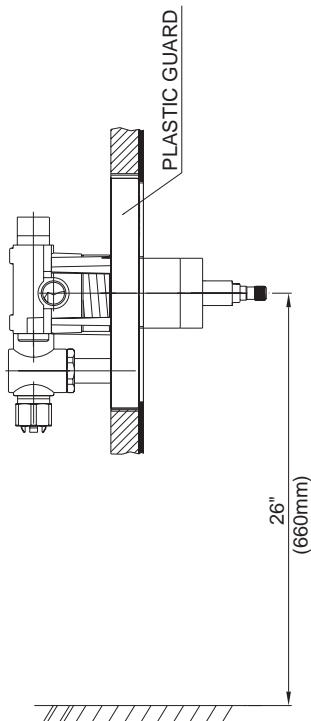
**SINGLE HANDLE PRESSURE BALANCE TUB & SHOWER VALVES**

Critical Dimensions : Rough-in valve D112000BT (w/stops) & D115000BT (w/o stops)

**W/SCREWDRIVER STOPS**



**W/DIVERTER & STOPS**



Specific Features: \_\_\_\_\_ Submitted Model No.: \_\_\_\_\_