

TWO HANDLE CENTERSET LAVATORY FAUCET


Description

- 2 handle with all brass pop-up drain assembly
- Solid brass high-rise spout

Flow & Valving

- See Chart

Standards

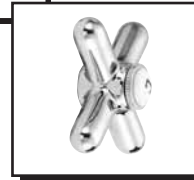
- ASME A112.18.1
- CSA B125
- NSF 61-9
- Listed IAPMO/UPC
- Energy policy act of 1992
- ADA Accessibility Guidelines for Buildings and Facilities - 4.27.4 Controls and Mechanisms (lever handles only) 

Warranty

Danze faucets are covered by a manufacturer's limited "lifetime" warranty for manufacturing defects.



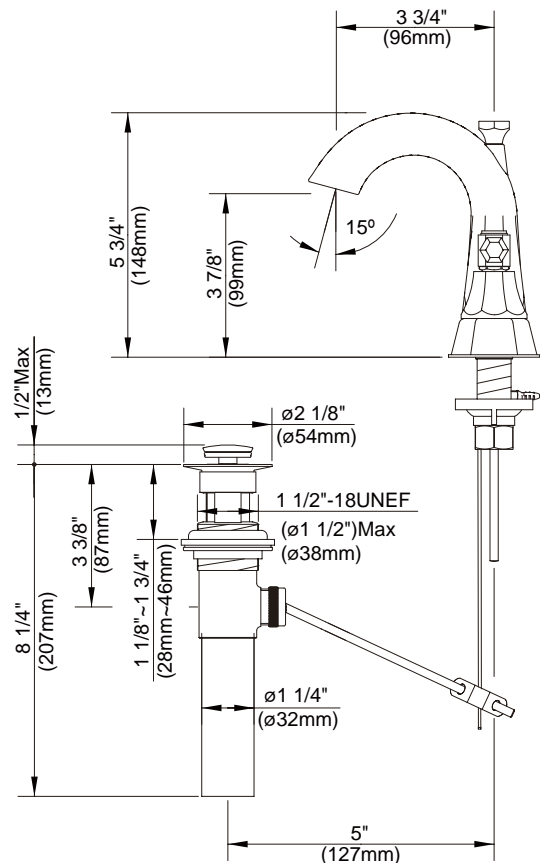
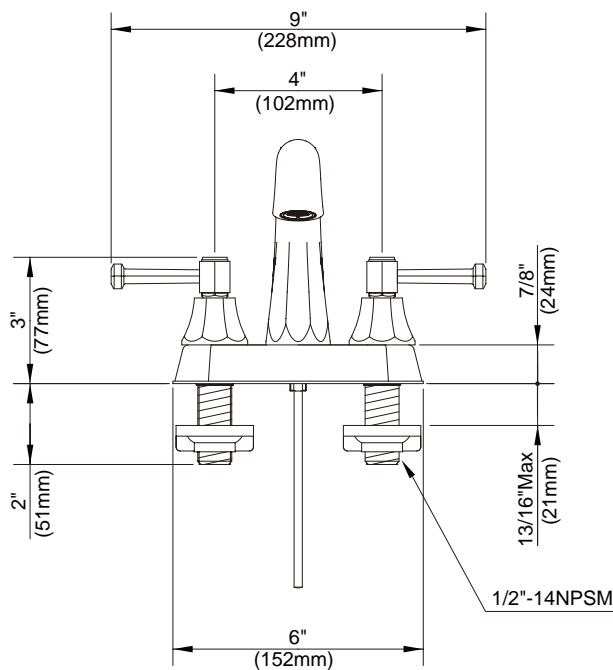
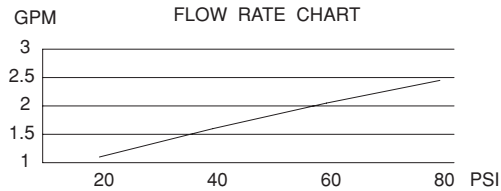
D314168
BRANDYWOOD™



D314166
BRANDYWOOD™

Available Colors & Finish

- Chrome
- Brushed Nickel (BN)



Specific Features: _____ Submitted Model No.: _____

SD314168/03-06.01