


ROMAN TUB FAUCET WITH SOFT TOUCH PERSONAL SHOWER™

Description

- 2 handle with solid brass spout
- Soft Touch Personal Shower™ with integral diverter system*
- Spout plug for pressure testing & plaster guard

Standards

- ASME A112.18.1
- CSA B125
- Listed IAPMO/UPC
- ADA Accessibility Guidelines for Buildings and Facilities - 4.27.4 Controls and Mechanisms (lever handle only) 

Warranty

Danze faucets are covered by a manufacturer's limited "lifetime" warranty for manufacturing defects.



D304766 (shown)
BRANDYWOOD™

With widespread rough-in valve:
D304766 (w/Personal Shower)
D304768 (w/Personal Shower)

Available Colors & Finish

- Chrome
- Brushed Nickel (BN)

Handle Suffix:

- 66: cross handle



- 68: lever handle

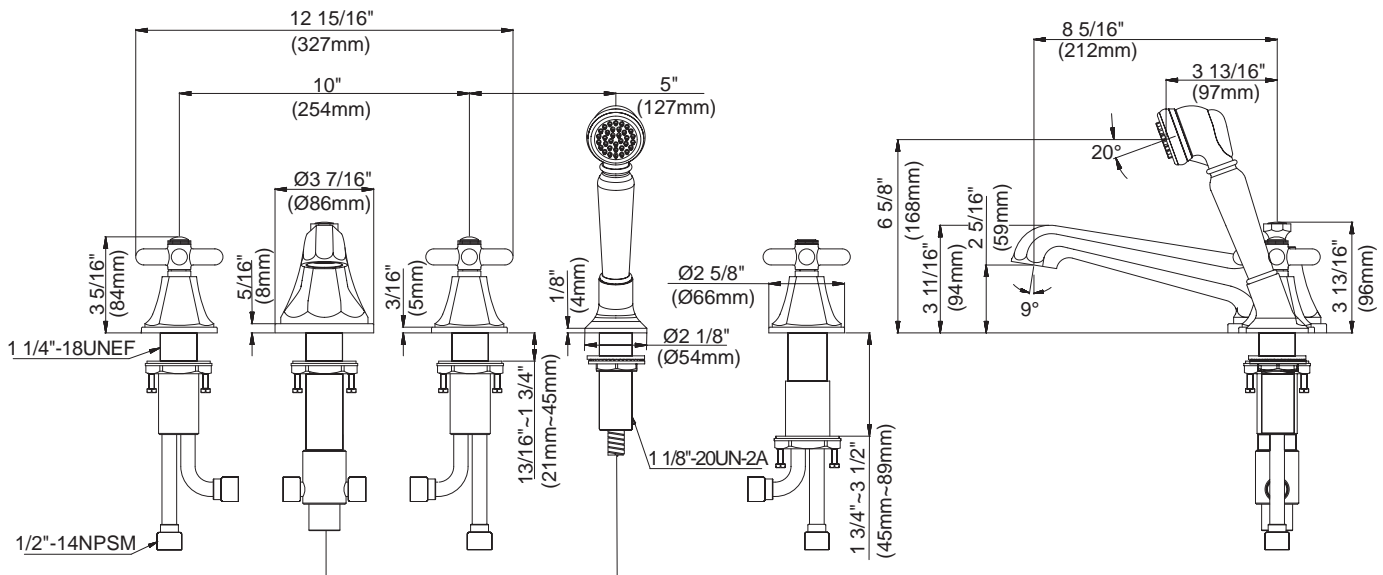


Trim Kits: (for use w/ rough-in valves)

- D304666T (w/o Personal Shower)
- D304668T (w/o Personal Shower)

Special Packaging

- This product also available with valve packaged separate from trim.
- Use with rough-in valve:
D210000BT (10" CC fixed) OR
D215000BT (widespread)
- Valves are combination 1/2" copper sweat, 1/2" NPT threaded connectors for all ports



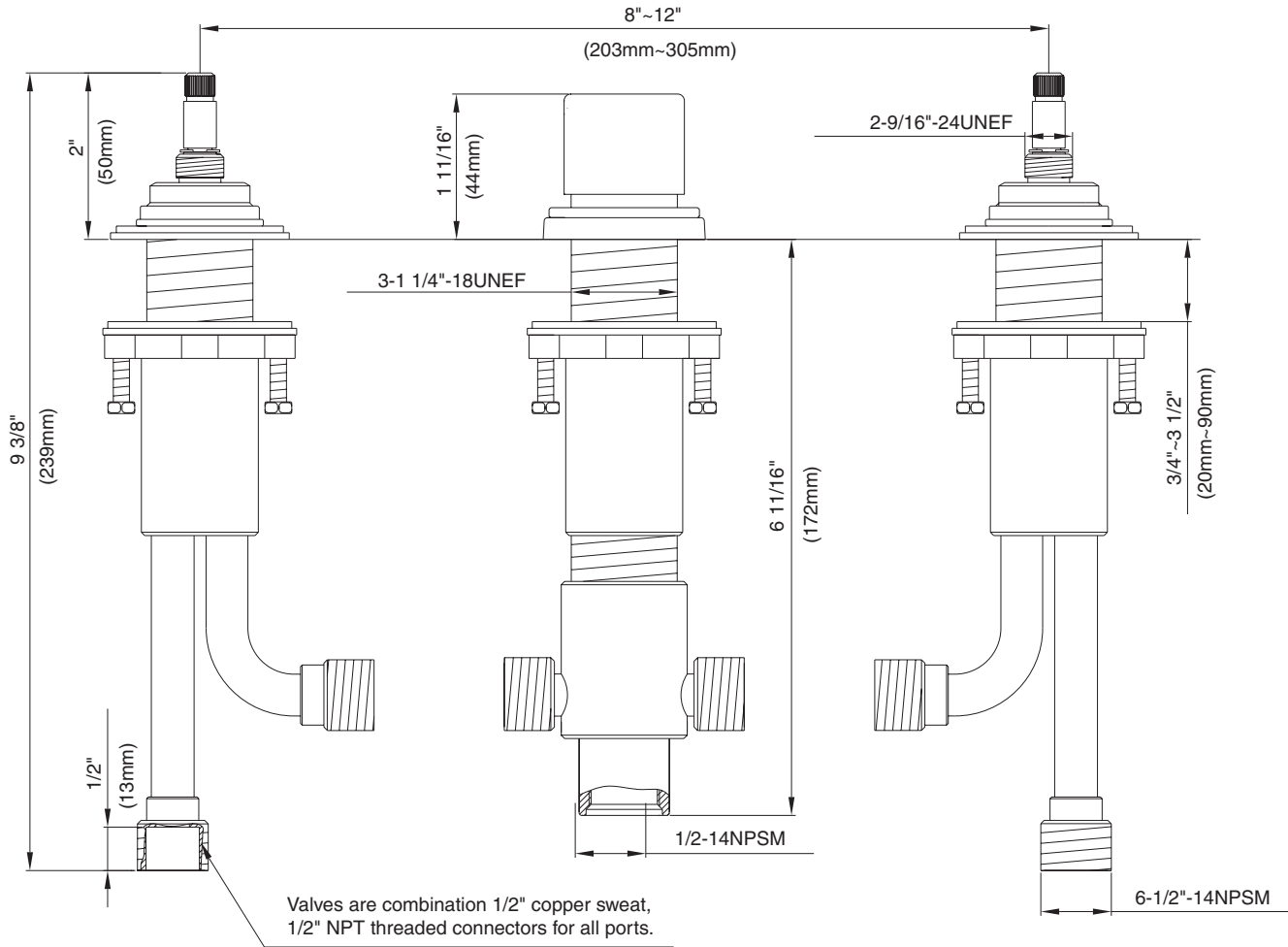
* Danze Soft Touch Personal Shower™ is designed to operate only when the button is pressed; water will flow to the spout whenever pressure is released from the button.

Specific Features: _____ Submitted Model No.: _____

SD304766/03-06.01

ROMAN TUB FAUCET ROUGH-IN VALVES-CRITICAL DIMENSIONS

Rough-in valve D215000BT (widespread)



Specific Features: _____ Submitted Model No.: _____

SD304766/03-06.01