

TWO HANDLE CENTERSET LAVATORY FAUCET


Description

- 2 handle with all brass pop-up drain assembly
- Tubular brass spout

Flow & Valving

- See Chart

Standards

- ASME A112.18.1
- CSA B125
- NSF 61-9
- Listed IAPMO/UPC
- Energy policy act of 1992
- ADA Accessibility Guidelines for Buildings and Facilities - 4.27.4 Controls and Mechanisms 

Warranty

Danze products are covered by a manufacturer's limited "lifetime" warranty for manufacturing defects.

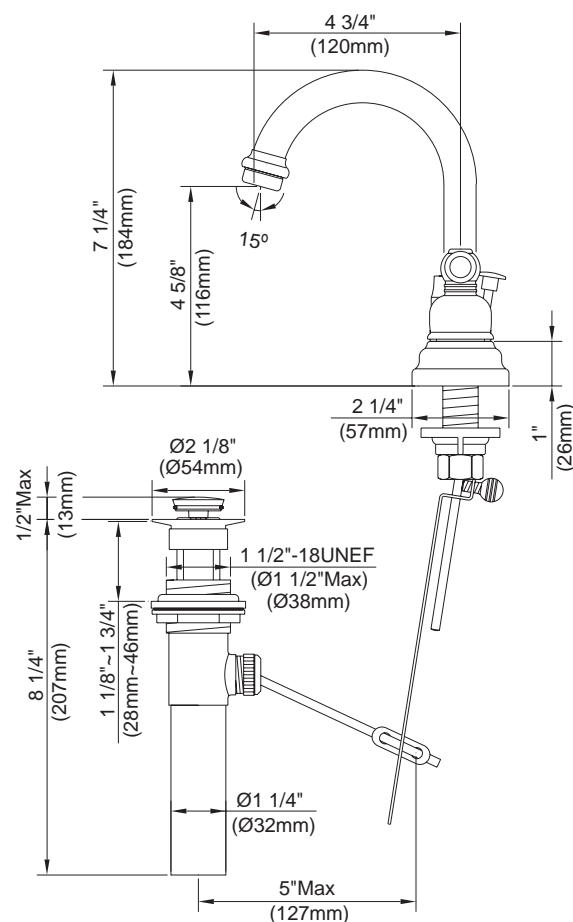
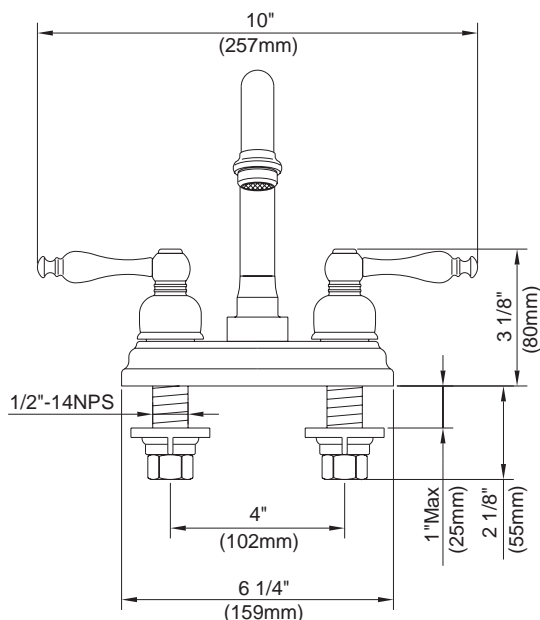
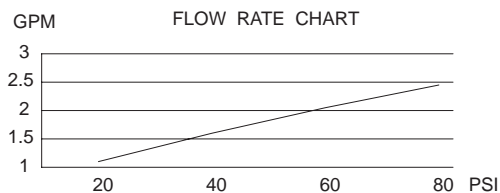


D302255
SHERIDAN™



Available Colors & Finish

- Chrome
- Brushed Nickel (BN)
- Chrome with Polished Brass Accents (CPBV)
- Polished Brass (PBV)
- Satin Nickel with Polished Brass Accents (SNPV)
- Oil Rub Bronze (RB)



Specific Features: _____ Submitted Model No.: _____

SD302255/03-06.01