

### TWO HANDLE BAR FAUCET


#### Description

- 2 handle with high-rise tubular spout

#### Flow & Valving

- See Chart

#### Standards

- ASME A112.18.1
- CSA B125
- NSF 61-9
- Listed IAPMO/UPC
- Energy policy act of 1992
- ADA Accessibility Guidelines for Buildings and Facilities - 4.27.4 Controls and Mechanisms 

#### Warranty

Danze faucets are covered by a manufacturer's limited "lifetime" warranty for manufacturing defects.

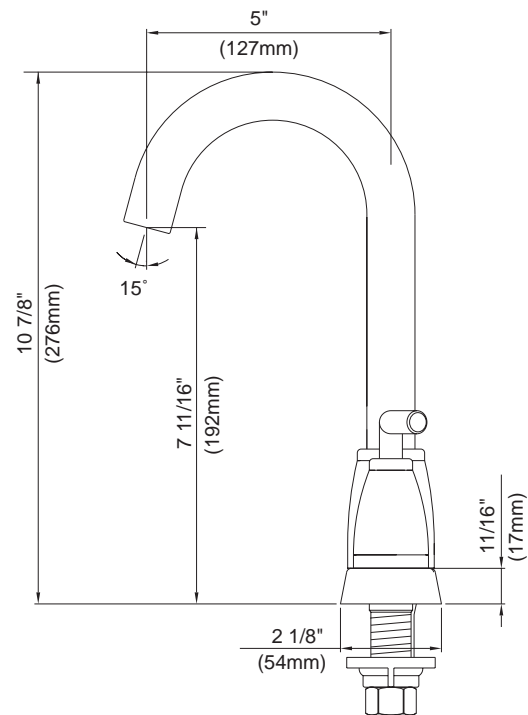
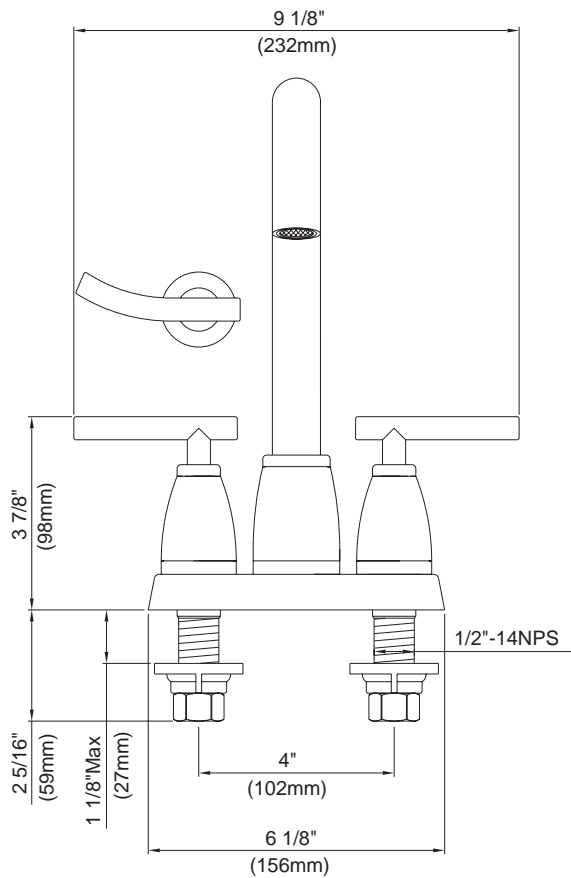
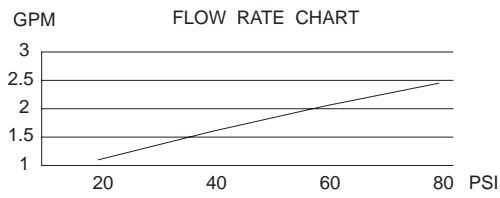


D153054  
SONORA™



#### Available Colors & Finish

- Chrome
- Chrome with Satin Nickel Accents (CSN)
- Stainless Steel (SS)



Specific Features: \_\_\_\_\_ Submitted Model No.: \_\_\_\_\_