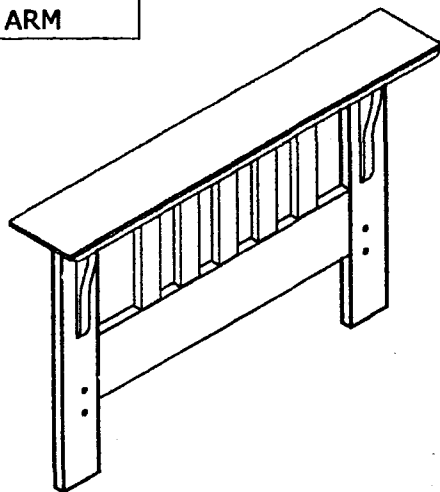
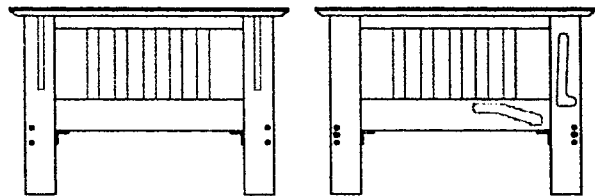


MODEL: FUTON FRAME
BIFOLD ARM

COA # 4382



PART IDENTIFICATION



1. One Pair Bifold Arm

HARDWARE PACKAGE

- | | | |
|---------------------------|--|-------|
| A. JCBC M6 x 60mm Length. | | 8 pcs |
| B. BARREL NUT - 16mm | | 8 pcs |
| C. WOOD DOWEL | | 4 pcs |
| D. ALLEN KEY (Long) | | 1 pc |

ASSEMBLY TIPS:

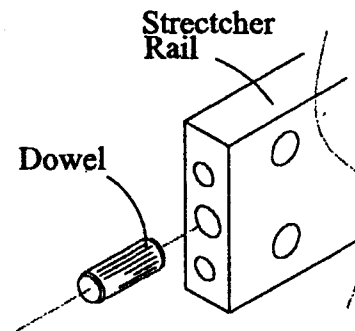
1. Remove hardware from box and sort by size.
2. Please check to see that all hardware and parts are present prior start of assembly.
3. Please follow attached instructions in the same sequence as numbered to assure fast & easy assembly.

▲ Warning !

1. Don't attempt to repair or modify parts that are broken or defective. Please contact the store immediately.
2. This product is for home use only and not intended for commercial establishments.

ASSEMBLY PROCEDURE

Press or tap Dowel All the way into the hole before assembly to Arm.



Step 1:

FIT DOWEL INTO THE STRETCHER FIRST.

Using Barrel Nuts:

- a) Check that all holes are free of wood chips and sawdust.
- b) A Screwdriver will help in aligning the Barrel Nut hole with the Bolt.
- c) Gently fix the Bolts into the Barrel Nut to avoid stripping the threads.

COASTER

Assembly Instruction

Futon
Frame

CHAIR SIZE
LOVE SEAT SIZE
QUEEN SIZE
FULL SIZE

HARDWARE LIST & PART LIST

HARDWARE PACKAGE

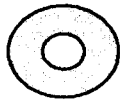
30mm Bolts x 8 pieces
For the Slat Support



CLEVIS PINS x 2 pieces



PLASTIC WASHERS x 4 pieces



LOCKING PINS x 2 pieces



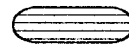
60mm Bolts x 8 pieces
For the Side Rails.



BARREL NUTS:
x 8 pieces



WOOD DOWEL:
x 16 pieces



ALLEN KEY x 1 piece



QUEEN SIZE ONLY:
EXTRA HARDWARE



45 mm Bolts x 2 Pieces

Use these bolt to attach
the Queen Short Legs to
the Seat Deck Side Rails

ASSEMBLY TIPS:

1. Remove hardware from box and sort by size.
2. Please check to see that all hardware and parts are present prior start of assembly.
3. Please follow attached instructions in the same sequence as numbered to assure fast and easy assembly.

▲ Warning!

1. Don't attempt to repair or modify parts that are broken or defective. Please contact the store immediately.
2. This product is for home use only and not intended for commercial establishments.

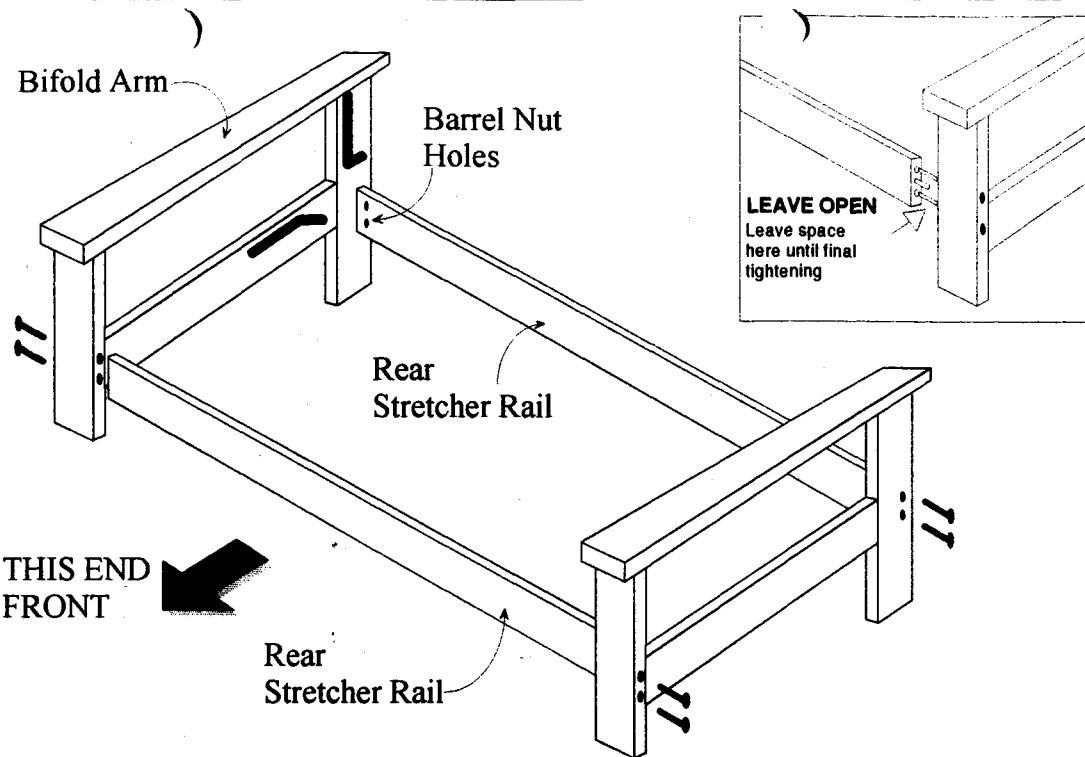
ASSEMBLY PROCEDURE

Futon Frame

Note :

1. These Assembly Instructions show Full size frame assembly. Procedure is the same for all sizes.
2. Your arm style may vary from the one shown. Procedure is the same for all styles.

WOOD BODY - III



STEP : 1

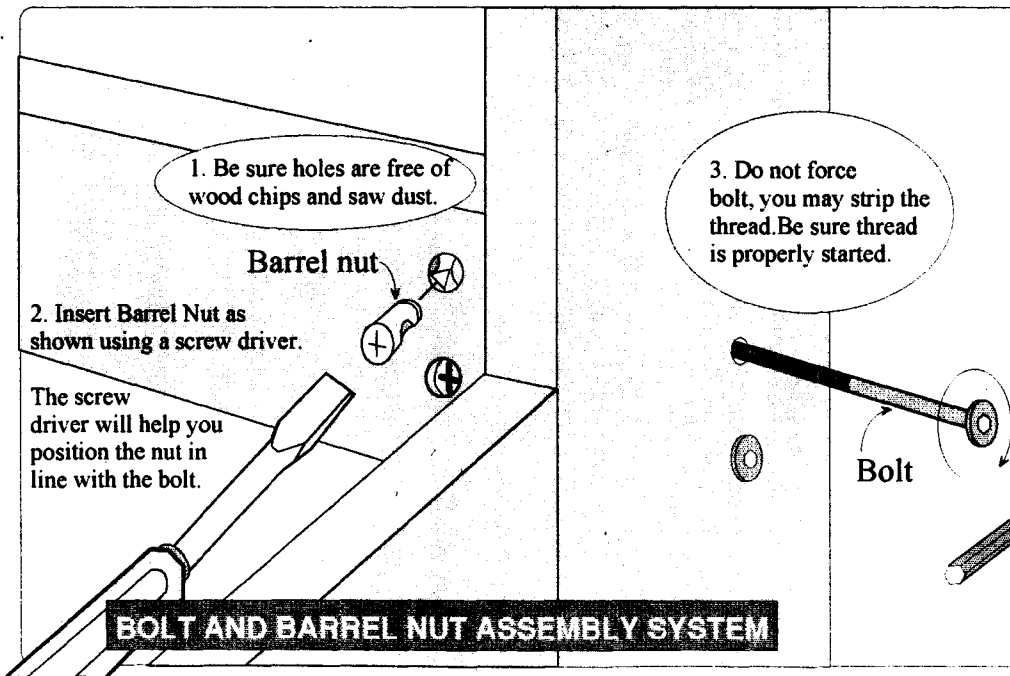
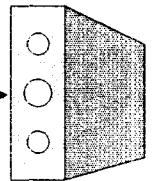
ASSEMBLE STRETCHER RAILS TO ARMS

1. Open the Bifold Arm box and remove the arms and hardware bag.
2. Take the Stretchers Rails from the Bifold Body box and assemble to Arms as shown.

SPECIAL NOTE :

Dowel Hole
The end of your Stretcher Rail has a hole for a dowel. The holes are needed for Arms that have dowels provided in the Arm hardware bag in the Arms Box. If the Arms you are using do not have dowels you can ignore the dowel holes. They will not affect the functioning of your frame.

Dowel Hole
in center



Allen Key

IMPORTANT : Assemble as shown but do not tighten bolts yet ! See diagram above.

ASSEMBLY PROCEDURE

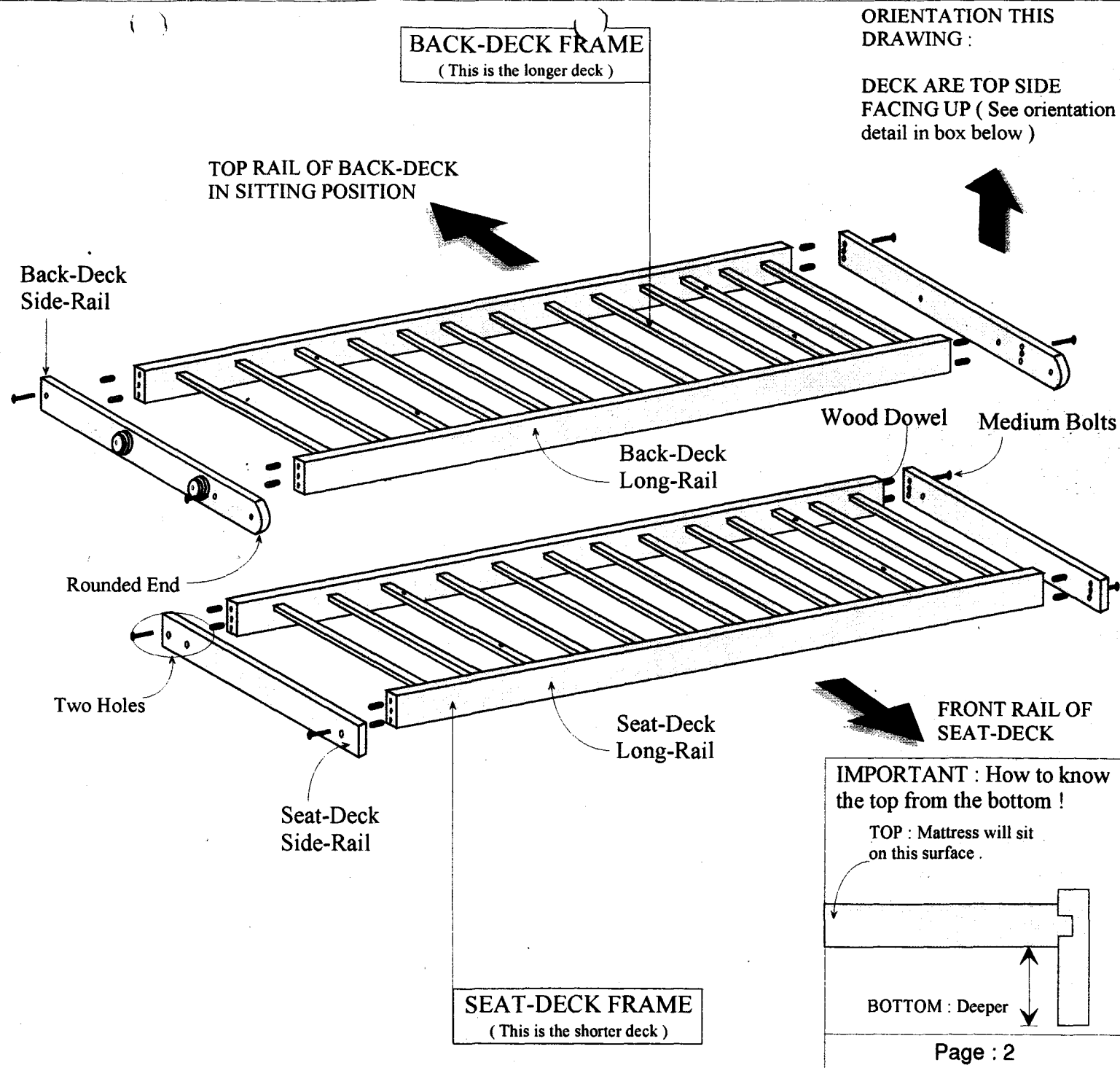


STEP : 2

ASSEMBLE SIDE-RAILS

* Back-Deck Side-Rails have a rounded end. This end assembles to the Long-Rail .

* Seat-Deck Side-Rails have a two holes at one end. This end assembles to the rear rail.



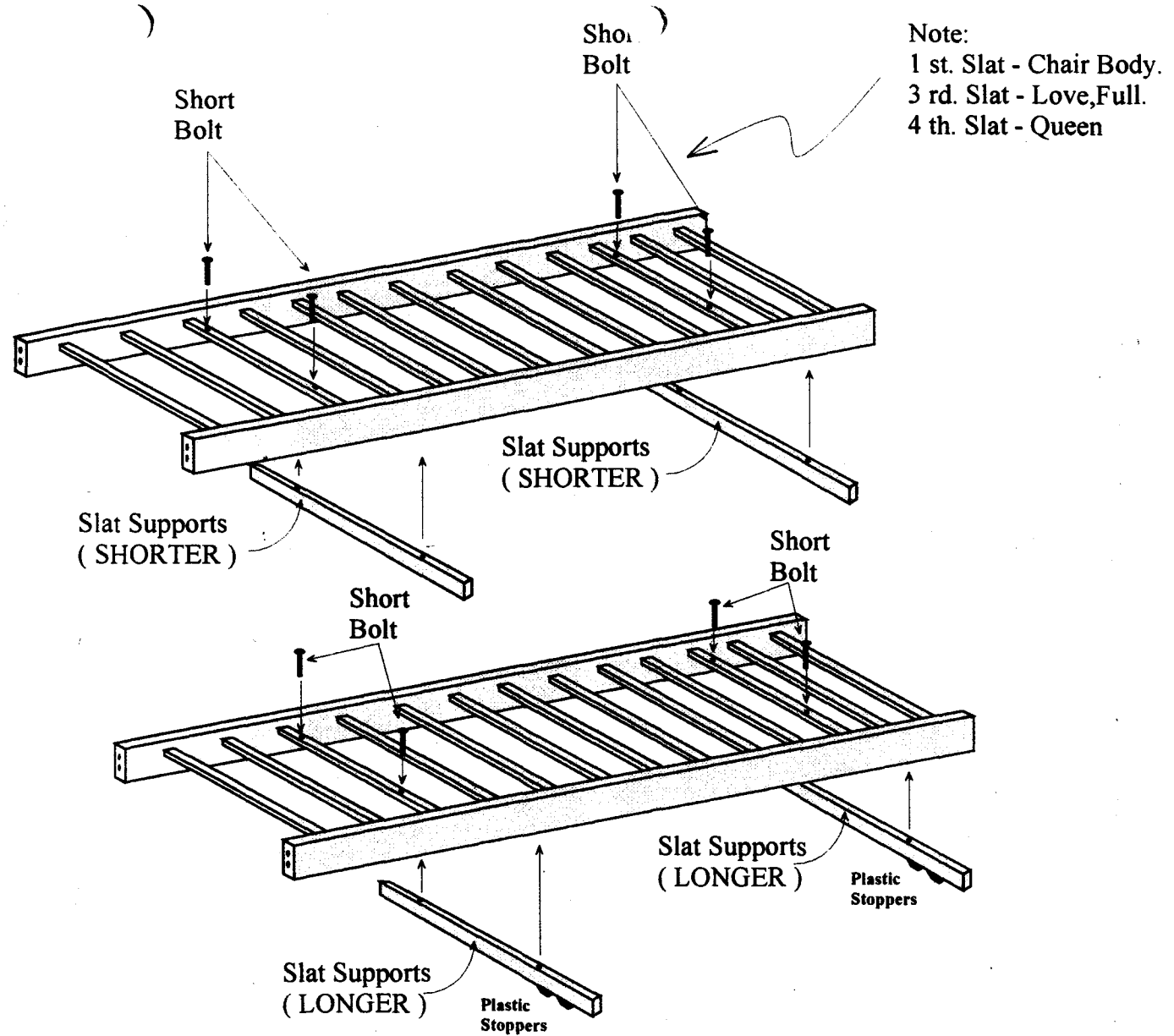
ASSEMBLY PROCEDURE



STEP : 3

ATTACH SLAT SUPPORTS

1. Fit the unassembled Slat Supports into the decks as shown.
2. Screw short Bolts into insert nuts provided on Slat Support.



ASSEMBLY PROCEDURE

Futon Frame

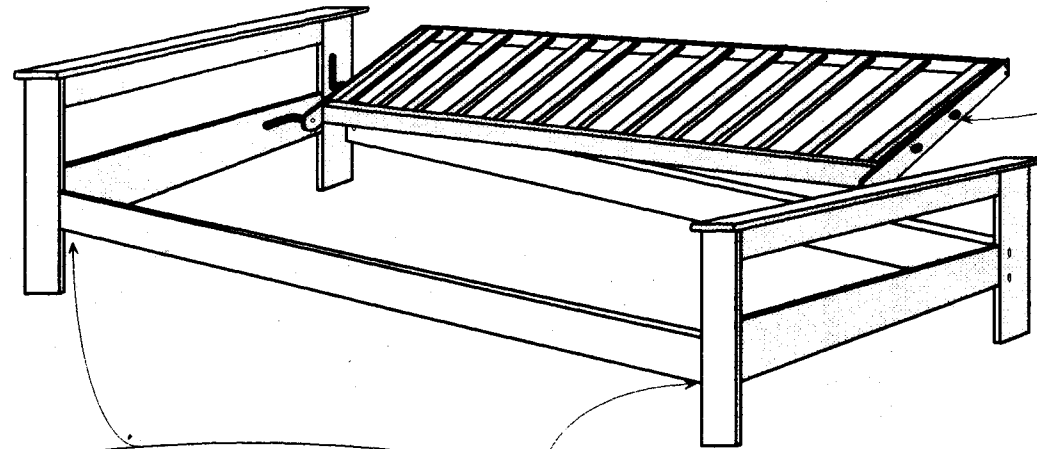
STEP : 4

FIT BACK DECK INTO POSITION

1. Place the assembled back deck between bolt bifold arms. Fit the runners into the grooves in the arms. (See procedure above).

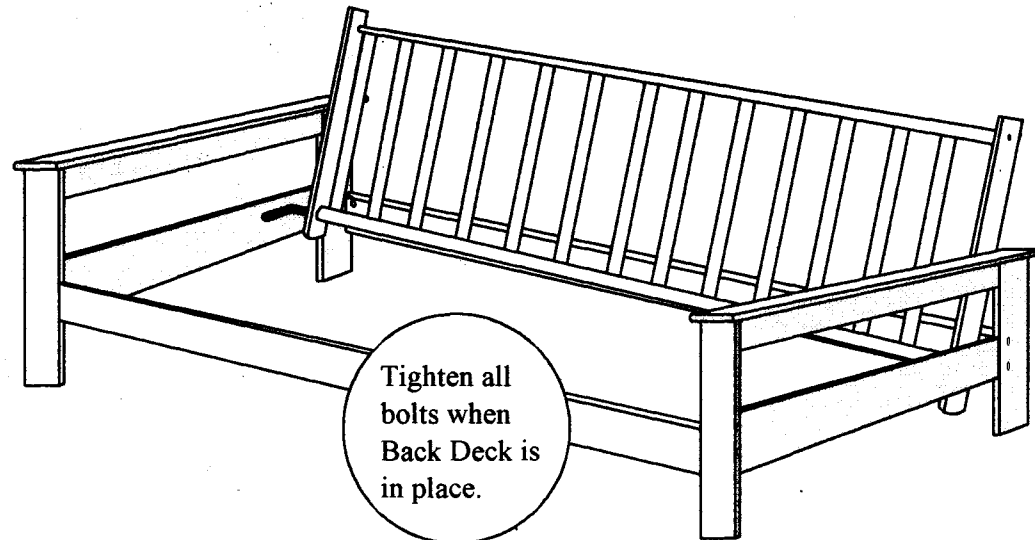
CAREFUL : This step can be tricky - it is best with two people (Watch that the plastic runners don't damage the arm rest as you lower the deck into place.)

2. Once the deck back is in tighten all bolts.



CAREFUL :
The Plastic Runners can damage the arm rest. Ease in carefully.

REMEMBER : These connections are open (loose) during this step



Tighten all bolts when Back Deck is in place.

ASSEMBLY PROCEDURE

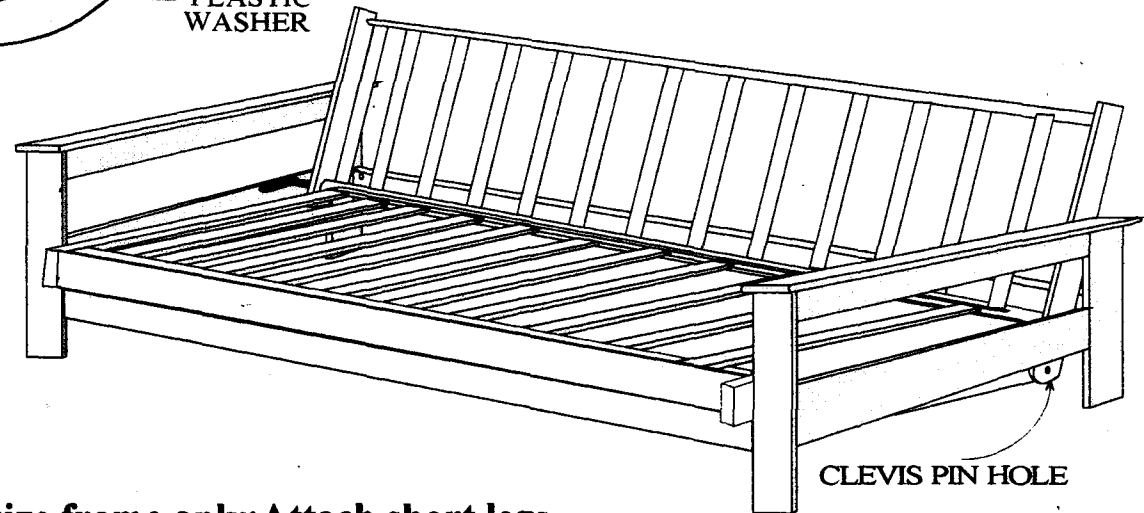
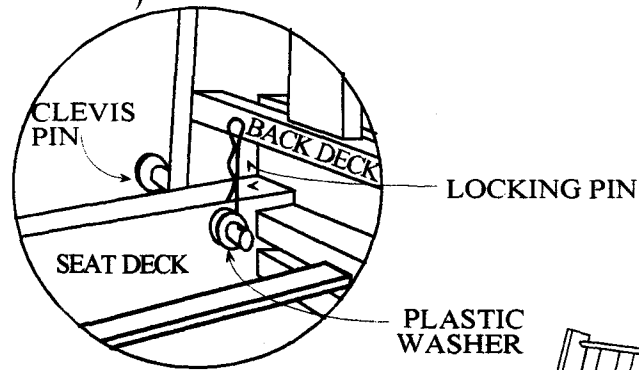
Futon Frame

STEP : 5

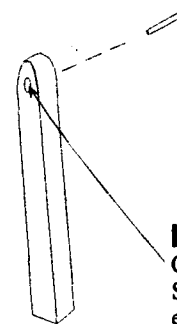
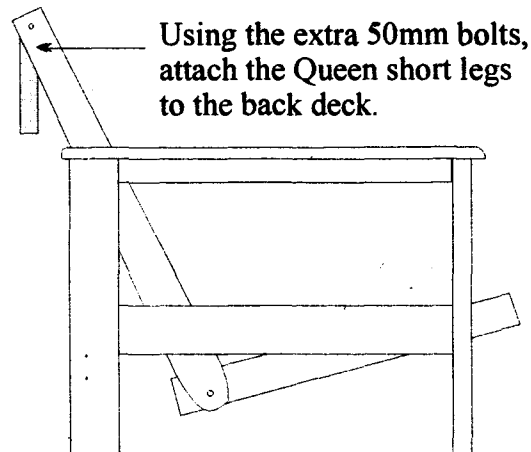
FIT SEAT DECK INTO POSITION

1. Fit the assembled seat deck between the bifold arms and into the back deck as shown
2. Use the clevis pins to connect the two decks.

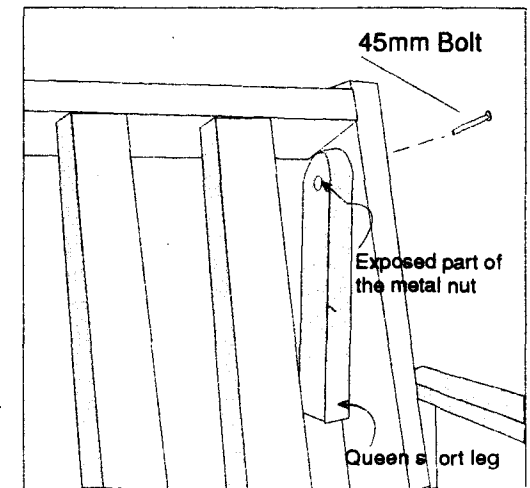
CONGRATULATIONS,
THAT'S IT, YOU'RE DONE!



5B For Queen size frame only: Attach short legs



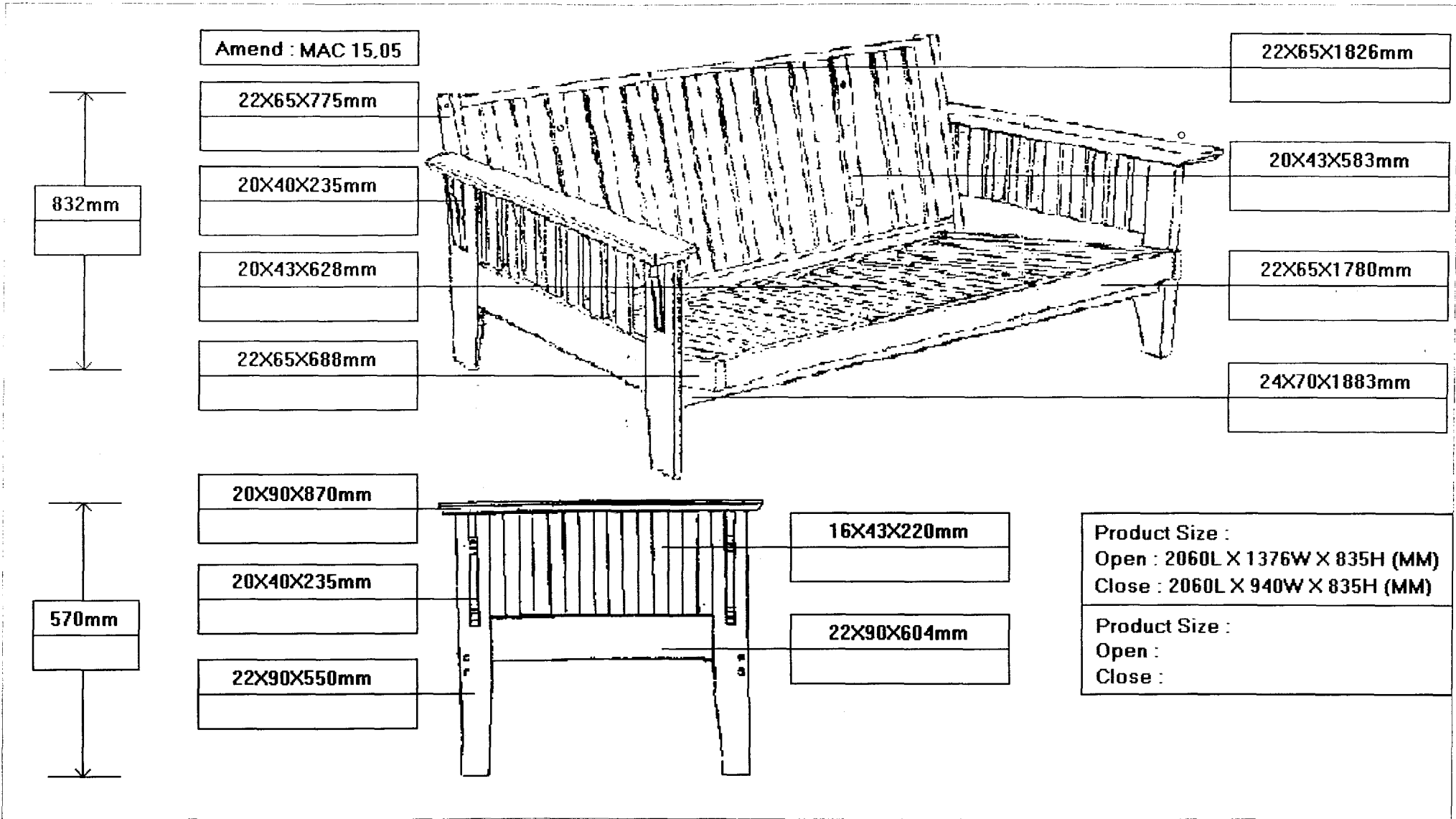
Important Note:
Orientation of the Queen Short Leg, note that the exposed part of the metal nut in the leg should be oriented away from the bolt for proper assembly



ITEM : 4382

COASTER CO. OF AMERICA

(FOR OFFICE USE ONLY)



DIRTY OAK FINISH FUTON ARM. SIZE : 34-1/5"L X 3-1/2"W X 22-3/4"H. FULL SIZE BODY. 13 SLATS, 2 VERTICAL SUPPORTING BRACE ON BOTH SEAT AND BACK.

PK : 1 WT : 54 CUFT : 9.78

- Long apron screw _____ pcs _____ mm/pc (side/straight)
- Short apron screw _____ pcs _____ mm/pc (side/straight)
- Middle apron screw _____ pcs _____ mm/pc (side/straight)
- Round apron screw _____ pcs _____ mm/pc (side/straight)
- Corner block support _____ pcs _____ mm/pc

Prepare By, _____

Supervisor Signature _____

Date : _____

Date : _____