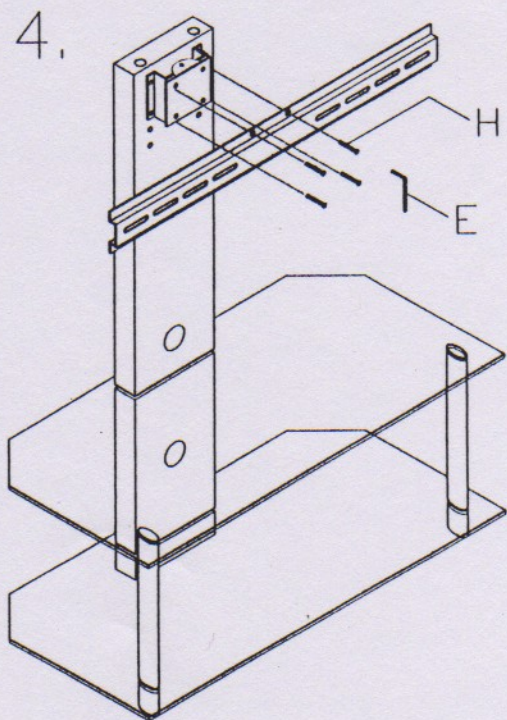
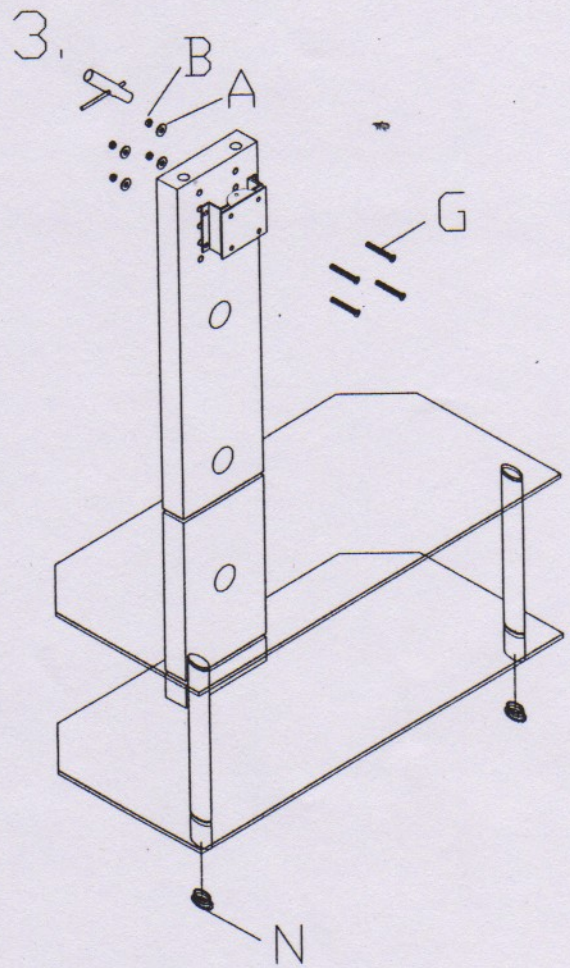
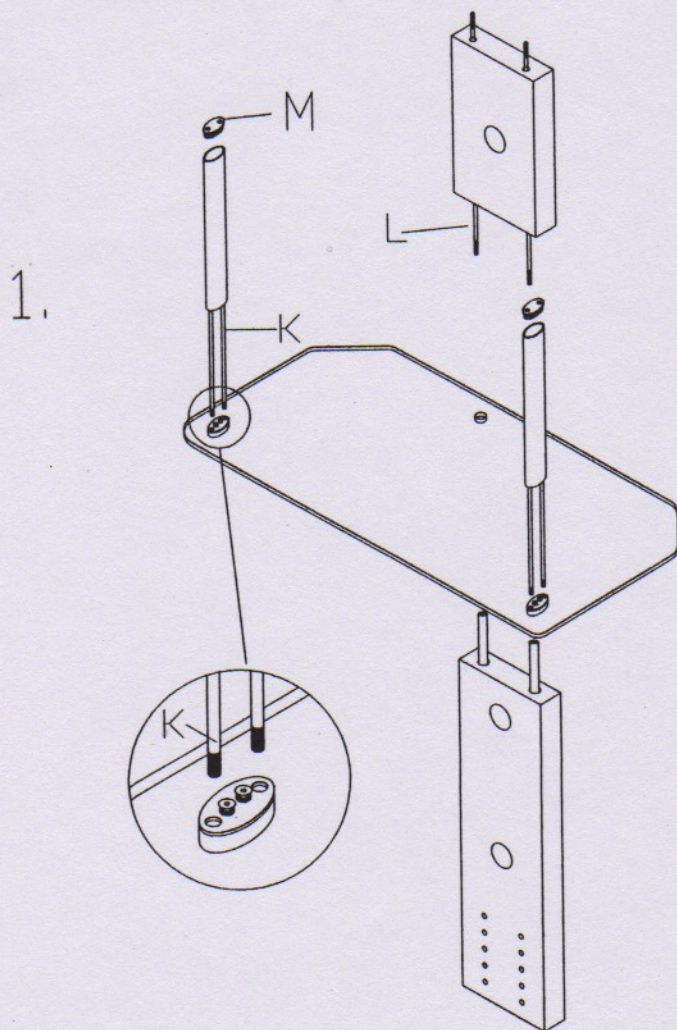
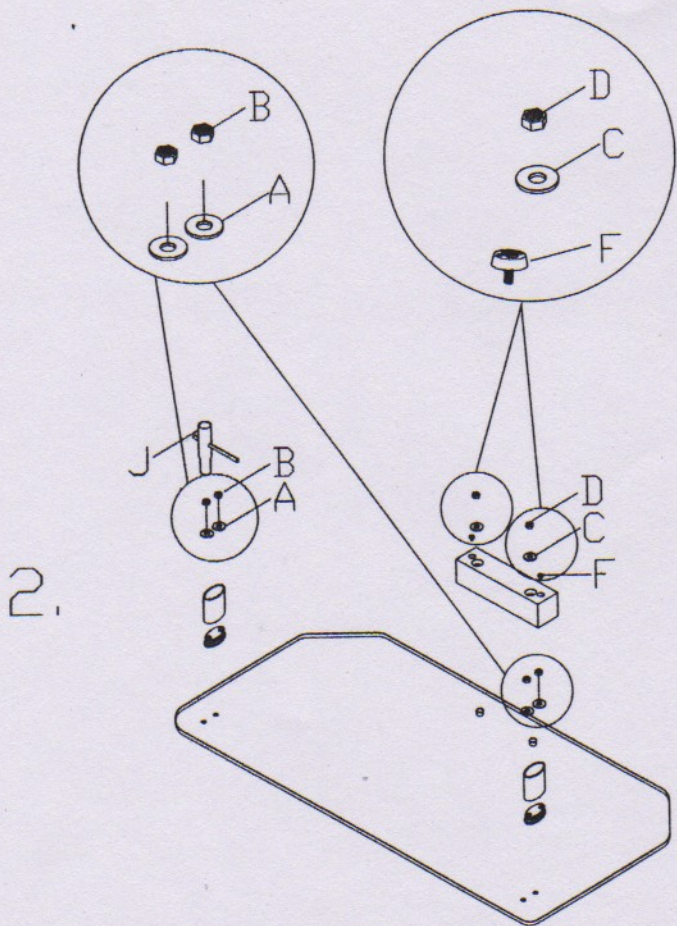


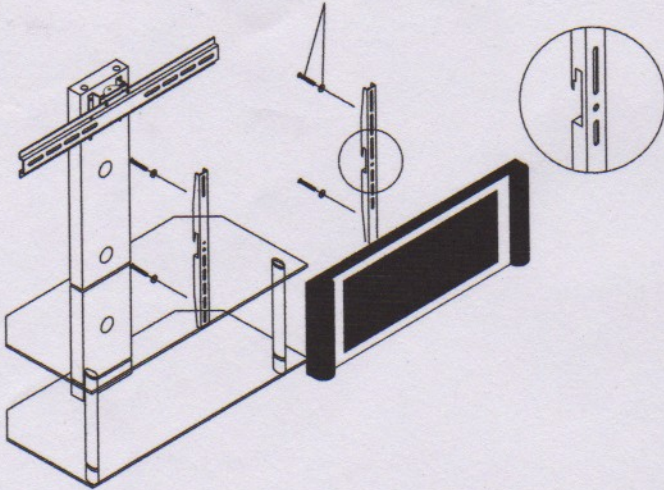
CDI-608B



P1

Flatscreen Installation

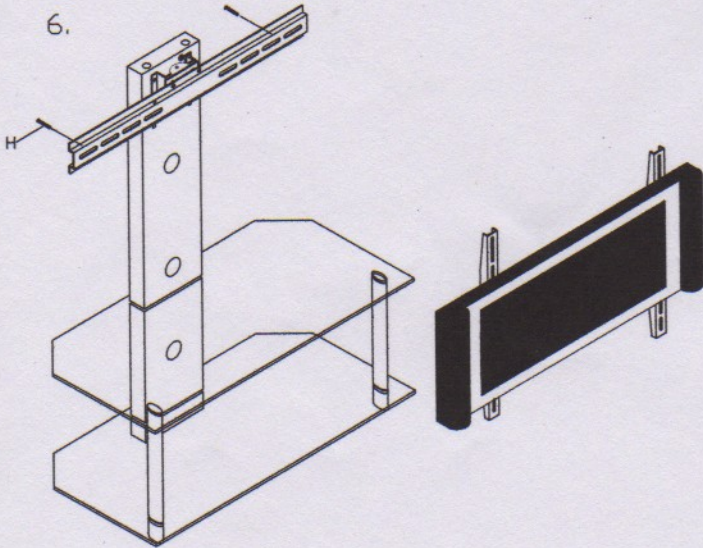
5.



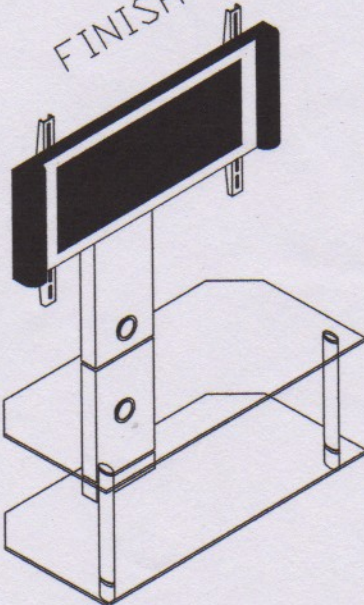
Hardware

INDEX NO.	DRAW	QTY	INDEX NO.	DRAW	QTY
A		8	H		6
B		8	I		1
C		2	J		1
D		2	K		4
E		1	L		2
F		2	M		4
G		4	N		2

6.



FINISH



TV Mounting Hardware are used as needed to mount flat panel to vertical bars.

TV Mounting Hardware					
1		M4*12mm*4	10		M8*35mm*4
2		M5*12mm*4	11		ø4mmSpring washer*4
3		M6*12mm*4	12		ø5mmSpring washer*4
4		M5*15mm*4	13		ø6mmSpring washer*4
5		M6*25mm*4	14		ø8mmSpring washer*4
6		M8*25mm*4	15		ø6*ø16mm*4
7		M4*32mm*4	16		ø8*ø16mm*4
8		M5*32mm*4	17		ø16*ø6.5*L-18*4
9		M6*32mm*4	18		ø20*ø8.5*L-18*4