

ASBURY

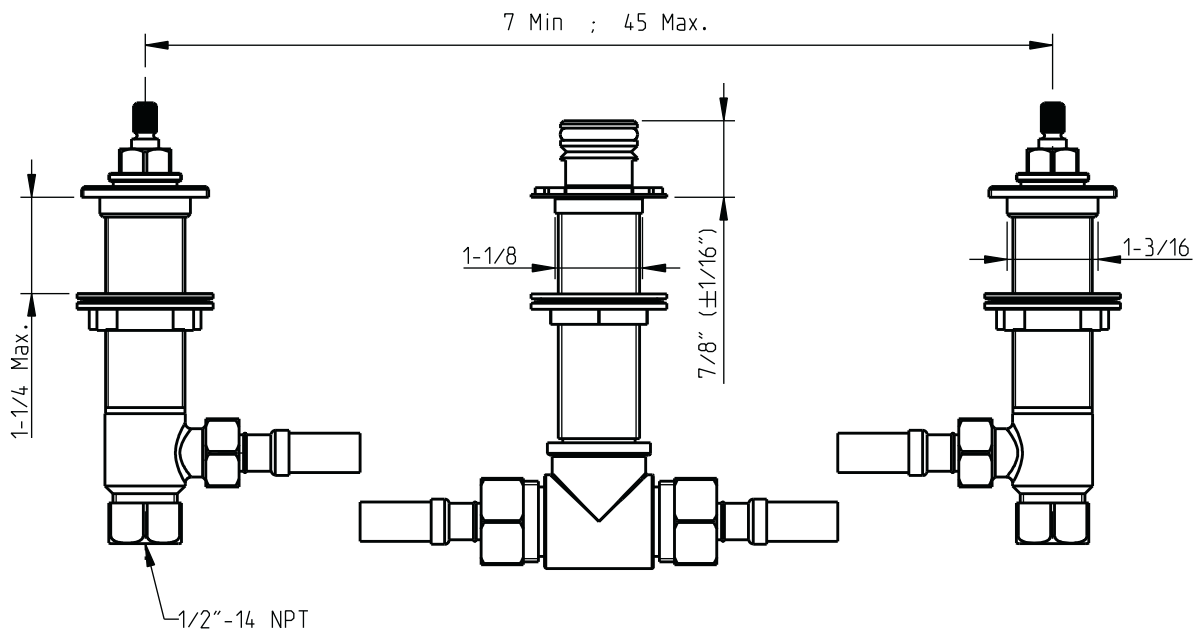
3 Pc. Roman Tub Stone Mountain, Brookhaven, Hexa - 1/2" valves

Attention Installer:

To ensure a proper seal, the top of the brass spout nipple must be installed at 7/8" above the finished deck.

If finish deck thickness is unknown at rough-in, leave access to valves and tee to allow adjustments.

Flow rates: 12GPM @ 60psi



dimensions inches



www.cifial.pt | cifial@cifial.pt
 cifial@cifial.es
 www.cifial.co.uk | sales@cifial.co.uk
 www.cifialusa.com | info@cifialusa.com

Inlets: 1/2" pipe thread or 1/2" comprehension
Maximum Deck Thickness: 1 1/4"
Rough Deck Recommended Hole Diameters:
 Valve Bodies: 1 1/4"
 Nipple: 1 1/4"
TRIM & Rough sold separately

