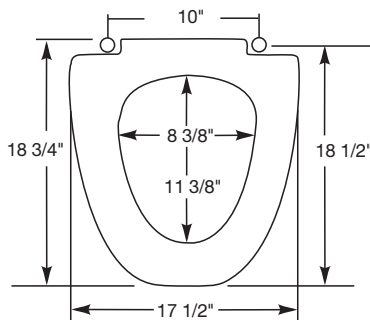




## RESIDENTIAL PLASTIC SEATS

### MODEL LC212

- ELONGATED SEAT, CLOSED FRONT WITH COVER
- SOLID PLASTIC
- FITS AMERICAN STANDARD ROMA, LUXOR AND CARLYSLE BOWLS



Seats shall be No. LC212 as manufactured by Church Seats. Seats shall be durable solid plastic with closed front and cover for American Standard Roma 2009.017, Luxor 2003.010, Luxor 2003.036 and Carlysle 2010.031 elongated bowls. Wide back design shall feature flush-fitting cover, large molded-in bumpers on seat and cover. Hinges to be color-matched plastic with stainless steel hinge posts on 10" centers. Color to be \_\_\_\_\_ . (specify white or fixture manufacturer's color)

Ring thickness is 13/16"  
Ring thickness including the bumper is 1"  
Height of the seat with cover is 2-1/2"

