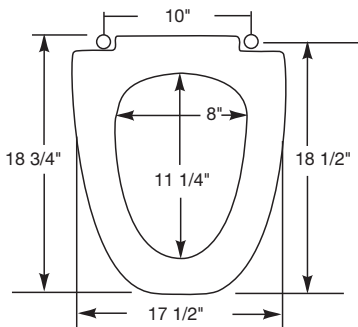




RESIDENTIAL PLASTIC SEATS

MODEL EL270

- ELONGATED SEAT, CLOSED FRONT WITH COVER
- SOLID PLASTIC
- FITS AMERICAN STANDARD ELLISE BOWLS



Seats shall be No. EL270 as manufactured by Church Seats. Seats shall be durable solid plastic with closed front and cover for American Standard Ellisse 2008.019 elongated bowl. Wide back design shall feature seat-concealing cover, large molded-in bumpers on seat and cover. Hinges to be color-matched plastic with stainless steel hinge posts on 10" centers. Color to be _____. (specify white or fixture manufacturer's color)

Ring thickness is 7/8"
Ring thickness including the bumper is 1-1/16"
Height of the seat with cover is 2-3/8"

