

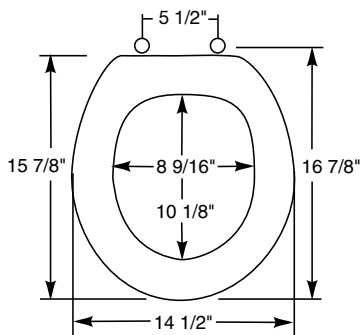


COMMERCIAL PLASTIC SEATS

MODEL 3B



- ROUND SEAT, CLOSED FRONT WITH COVER
- SOLID PLASTIC
- 300 SERIES STAINLESS STEEL HINGE AND BOLT



Seats shall be No. 3B as manufactured by Church Seats. Seats shall be commercial weight and injection molded of solid plastic. Seats shall be closed front with cover for round bowl and feature large molded-in bumpers. Hinges, bolts and pintles feature 300 Series stainless steel. Color to be white.

Ring thickness is 1/2"
Ring thickness including the bumper is 13/16"
Height of the seat with cover is 1-7/8"

