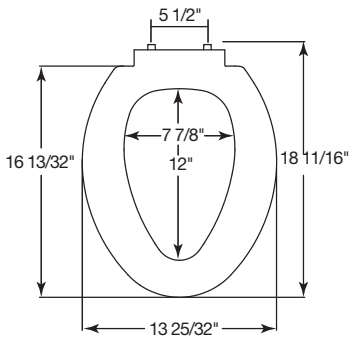




RESIDENTIAL PLASTIC SEATS

MODEL 380TC

- ELOGNATED SEAT, CLOSED FRONT WITH COVER
- SOLID PLASTIC
- TOP-LOC® HINGES CONTAIN STAINLESS STEEL PINTLES, NON-CORROSIVE TOP-TIGHTENING BOLTS, WING NUTS AND NO-SLIP WASHERS.



Ring thickness is 5/8"
Ring thickness including the bumper is 15/16"
Height of the seat with cover is 2-9/32"

Seats shall be No. 380TC as manufactured by Church Seats. Seats shall be heavy weight and injection molded of solid plastic. Seats shall be closed front with cover for elongated bowl and feature large molded-in bumpers. Color matched, Top-Loc® hinges contain stainless steel pintles, non-corrosive top-tightening bolts, wing nuts and no-slip washers. The "locked-in" Top-Loc® hinge design will prevent wobbling. The molded-in bumpers provide easy cleaning. Color to be _____. (specify white or fixture manufacturer's color)

