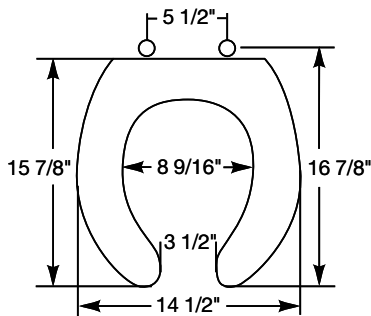




## COMMERCIAL PLASTIC SEATS

### MODEL 35TT

- ROUND SEAT, OPEN FRONT WITH COVER
- SOLID PLASTIC
- HINGES CONTAIN STAINLESS STEEL PINTLES, NON-CORROSIVE TOP-TIGHTENING BOLTS, WING NUTS AND NO-SLIP WASHERS



Seats shall be No. 35TT as manufactured by Church Seats. Seats shall be commercial weight and injection molded of solid plastic. Seats shall be open front with cover for round bowl and feature large molded-in bumpers. Color-matched hinges contain stainless steel pintles and non-corrosive top-tightening bolt, wing nut and no-slip washer. The "locked-in" hinge design will prevent wobbling. The molded-in bumpers provide easy cleaning. Color to be white.

Ring thickness is 1/2"  
Ring thickness including the bumper is 13/16"  
Height of the seat with cover is 1-7/8"

