

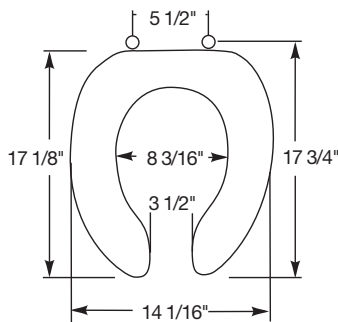


# COMMERCIAL PLASTIC SEATS

## MODEL 2150



- ELONGATED SEAT, OPEN FRONT WITH COVER
- SOLID PLASTIC
- DURAGUARD® ANTIMICROBIAL AGENT



Seats shall be No. 2150 as manufactured by Church Seats. Seats shall contain DuraGuard® an antimicrobial agent. Seats shall be heavy weight and injection molded of solid plastic. Seats shall be open front with cover for elongated bowl and feature large molded-in bumpers. Hinges and pintles feature 300 Series stainless steel. Color to be white.

Ring thickness is 3/4"

Ring thickness including the bumper is 1-1/16"

Height of the seat with cover is 2-1/4"

