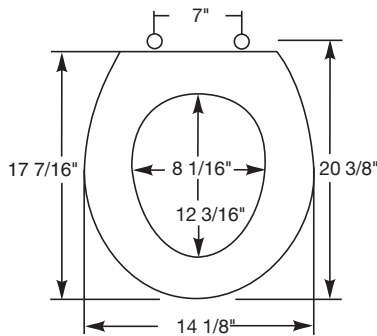




## RESIDENTIAL PLASTIC SEATS

### MODEL 1900CCP

- ADAPTED FOR THE CASE 1100
- SOLID PLASTIC
- CHROME-PLATED BRASS HINGE
- 7" CENTERS BOLT INTO TANK



Ring thickness is 11/16"  
Ring thickness including the bumper is 1"  
Height of the seat with cover is 1-1/2"

Seats shall be No. 1900CCP as manufactured by Church Seats. Seats shall be medium weight and injection molded of solid plastic. Seats shall be closed front with cover for elongated bowl and feature large molded-in bumpers. Chrome-plated brass hinges with 300 series stainless steel pintles. The molded-in bumpers provide easy cleaning. Color to be white.

