



INSTALLATION INSTRUCTIONS

PAC-251

CPU INTERFACE ADAPTER

Prior to assembly, unpack carton completely and verify contents.

If you are missing any of the following components, please contact Customer Service at 1-800/582-6480

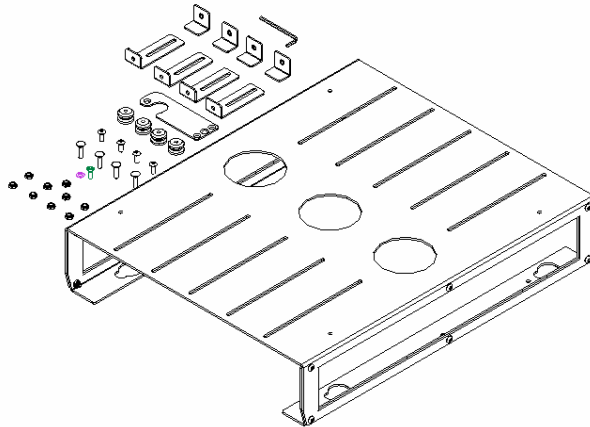


Figure 1

- | | |
|---|---|
| (1) Interface Adapter | (4) Top side Brackets |
| (4) Bottom side Brackets | (4) Mounting Buttons-Tapped 10-24 |
| (4) 10-24 x .5" Button Head Cap Screws | (9) 10-24 Nylock Nuts |
| (4) 10-24 x .625" Carriage Bolts | (1) Latching Flag |
| (1) .38 OD x .194 ID x .03 Nylon Washer | (1) 10-24 x .5 Flat Head Undercut Screw |
| (1) 1/8" Allen Key | |

BEFORE PROCEEDING, READ INSTALLATION INSTRUCTIONS COMPLETELY

CAUTION! PLASMA DISPLAYS AND CPUs ARE EXTREMELY FRAGILE.

1. Using a 10-24 button head cap screw inserted from inside of bracket, secure mounting button, with chamfered hole of mounting button (larger surface) facing bracket, to bracket (4 places) (see Figure 2 & Figure 3).

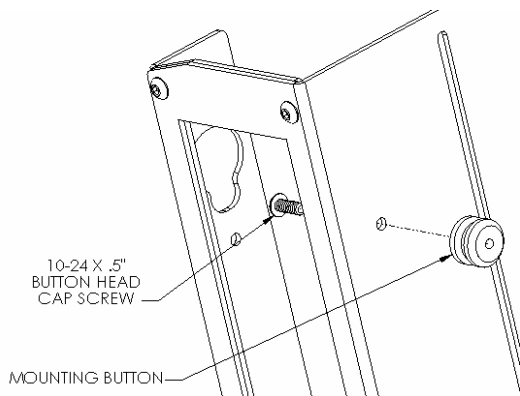


Figure 2

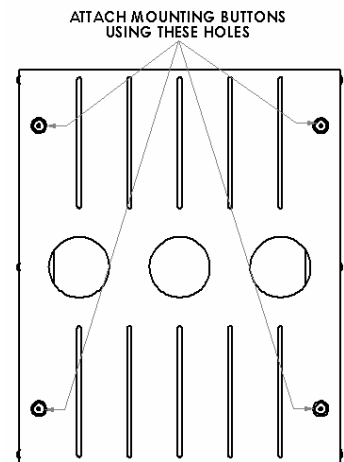


Figure 3

2. Attach latching flag to mount using the 10-24 Phillips flat head screw, Nylon washer, and Nylock nut (see Figure 4). Tighten until friction will hold the flag in place.

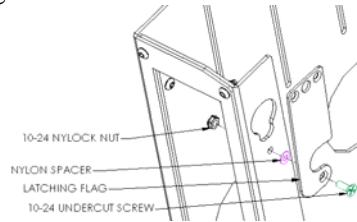


Figure 4

3. Using Nylock nuts assemble side brackets (4 total) consisting of a top and bottom (see Figure 5), making sure nut is loose enough to slide top piece in order to adjust to thickness of CPU.

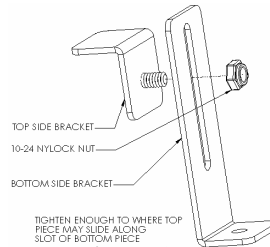


Figure 5

4. Attach side brackets to CPU adapter using 10-24 carriage bolts and Nylock nuts (see Figure 6 & Figure 7), making sure the nut is loose enough to allow the brackets to slide in order to adjust to width of CPU. Choose which slots to use on CPU adapter based on size of CPU and desired placement.

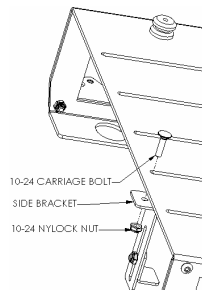


Figure 6

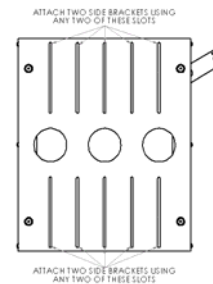


Figure 7

5. Install CPU by turning adapter upside down so it rests on the mounting buttons.
6. Place CPU inside adapter and adjust side brackets until they firmly press against sides and top of CPU (see Figure 8).
7. While pressing brackets against CPU; tighten all Nylock nuts. The CPU should now be completely rigid inside of adapter.

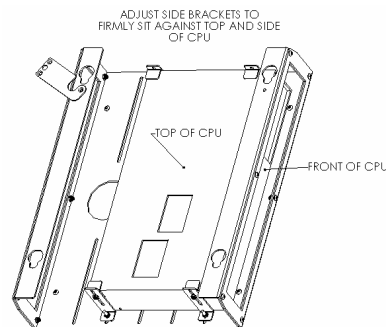


Figure 8

8. Lift Interface Adapter up to Chief Mount, aligning buttons of adapter with slots in the Chief Mount. Make sure the tear drop slots of Interface Adapter face down replicating those of the Chief Mount.
9. Raise safety latch on Chief Mount to secure Display, making sure latch is completely engaged.
10. With the aid of another person, lift Large Flat Panel Display up to the PAC-251 CPU Interface Adapter, aligning buttons of mounting brackets with slots in adapter.
11. Raise safety latch on PAC-251 to secure Display, making sure latch is completely engaged.