



INSTALLATION INSTRUCTIONS

PAC-140 Q-CLAMP

Prior to assembly, unpack carton completely and verify contents.
If you are missing any of the following components, please contact Customer Service at 1-800/582-6480

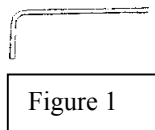


Figure 1

(2) Q-Clamp
(2) 1/4-20 x 7/8" BHCS

(1) 5/32 Allen Key

BEFORE PROCEEDING, READ INSTALLATION INSTRUCTIONS COMPLETELY

CAUTION! PLASMA DISPLAYS ARE EXTREMELY FRAGILE.

1. After flat screen monitor has been placed on the mounting face plate, place q-clamp over mounting button (2 places). See Figure 2.
2. Using a 1/4-20 button head cap screw inserted from the bottom of the plasma mounting face plate and threaded into the bottom of the q-clamp, tighten the q-clamp until it is snug on the mounting button (2 places). See Figure 2.
3. With the aid of another person, lift Plasma Display up to the Chief Mount, aligning buttons of mounting brackets with slots in the Chief Mount.
4. Lower safety catch on the Chief Mount to secure Plasma Display, making sure catch is completely engaged.

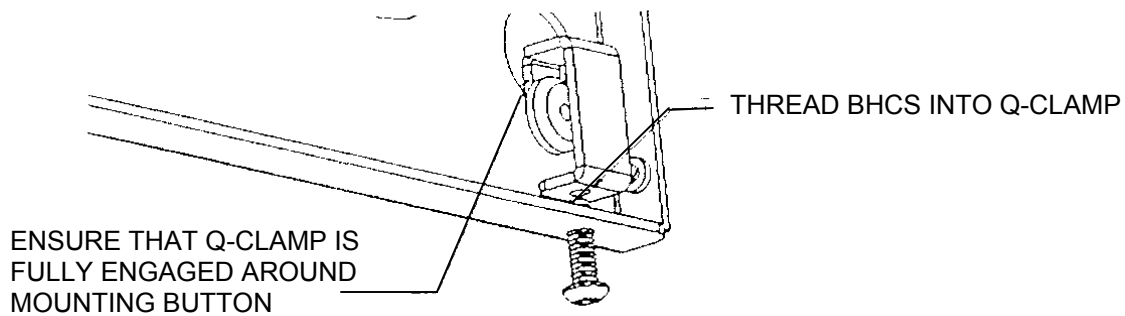


Figure 2