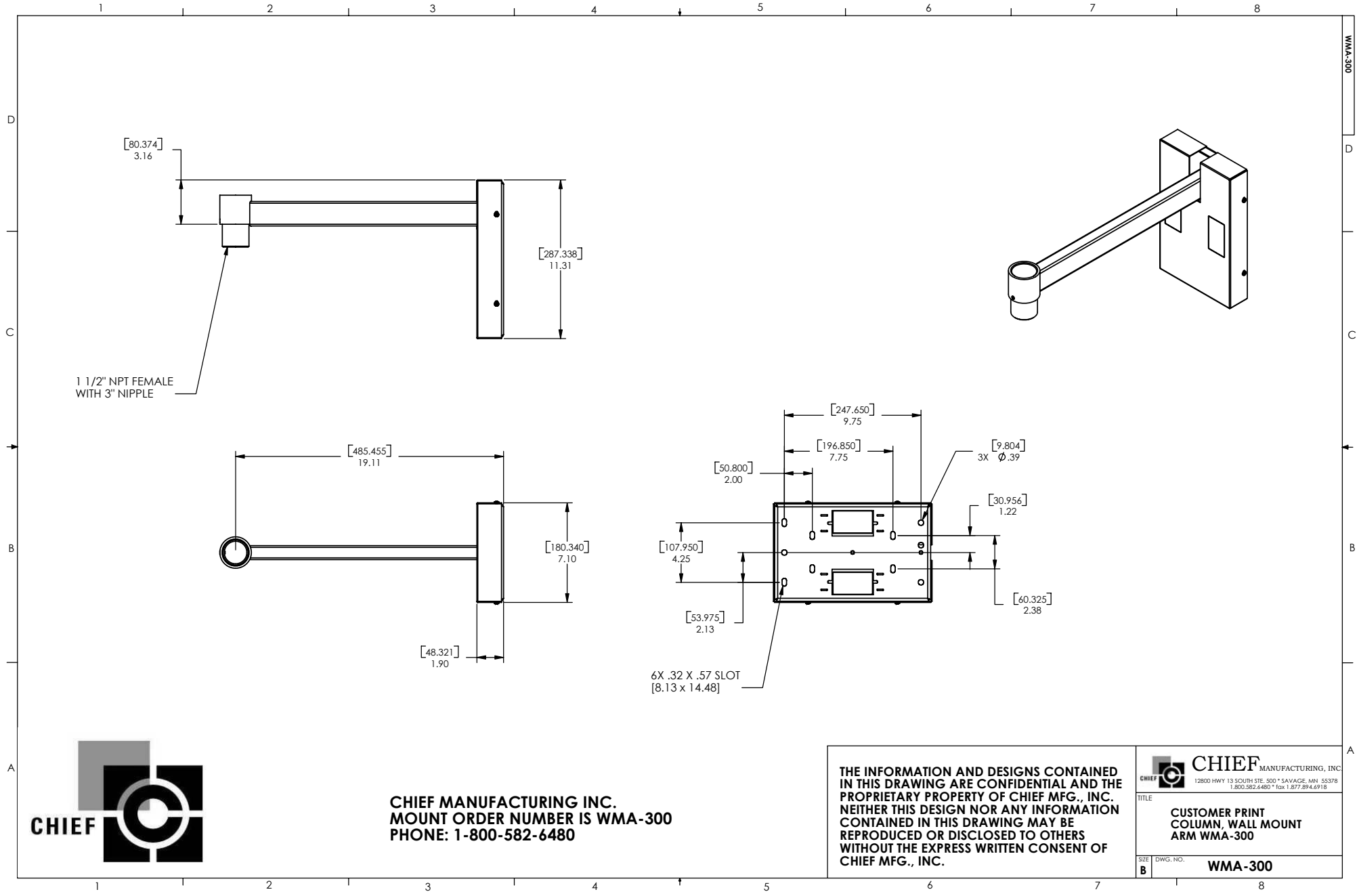


WMA-300



1 1/2" NPT FEMALE WITH 3" NIPPLE



CHIEF MANUFACTURING INC.
MOUNT ORDER NUMBER IS WMA-300
PHONE: 1-800-582-6480

THE INFORMATION AND DESIGNS CONTAINED IN THIS DRAWING ARE CONFIDENTIAL AND THE PROPRIETARY PROPERTY OF CHIEF MFG., INC. NEITHER THIS DESIGN NOR ANY INFORMATION CONTAINED IN THIS DRAWING MAY BE REPRODUCED OR DISCLOSED TO OTHERS WITHOUT THE EXPRESS WRITTEN CONSENT OF CHIEF MFG., INC.

CHIEF MANUFACTURING, INC.
 12800 HWY 13 SOUTH STE. 500 • SAVAGE, MN 55378
 1.800.582.6480 • Fax 1.877.894.6918

TITLE
CUSTOMER PRINT
COLUMN, WALL MOUNT
ARM WMA-300

SIZE DWG. NO.
B WMA-300