



INSTALLATION INSTRUCTIONS

LPK-1

Low Profile Mounting Kit

for Models VCM, EVCM-100D & EVCM-100I

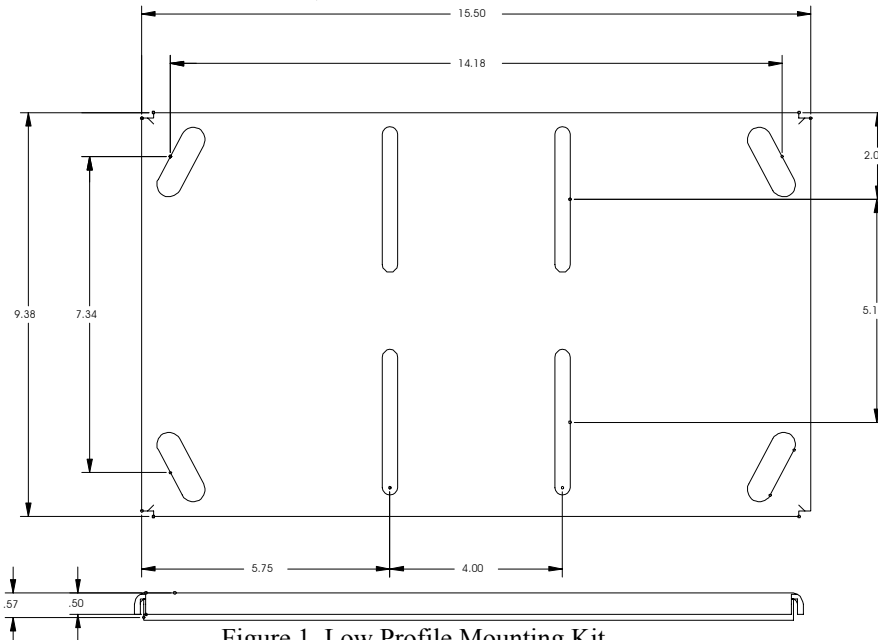


Figure 1. Low Profile Mounting Kit

BEFORE PROCEEDING, READ INSTALLATION INSTRUCTIONS COMPLETELY

WARNING! IMPROPER INSATLLATION MAY RESULT IN SERIOUS PERSONAL INJURY! All components must be securely fastened to each other and to the ceiling. The overhead support must be capable of supporting five times the weight of the mount and equipment combined. If it cannot is MUST be reinforced.

1. On EVCM models only (see Figure 2), adjust the pitch adjustment bolts to their lowest position to allow the studs in the bottom slide plate to extend above housing.
2. Remove the top slide plate and retain attaching hardware for reuse (see Figure 2 or Figure 3).
3. Place the top mounting plate, open side of mounting plate toward ceiling, on housing with studs fitting between the slots in plate.
4. Using hardware removed in Step 2, secure mounting plate to housing

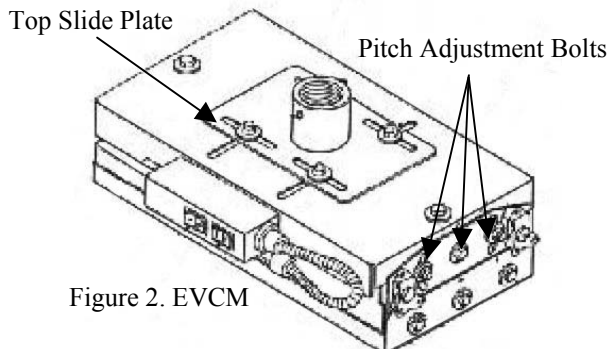


Figure 2. EVCM

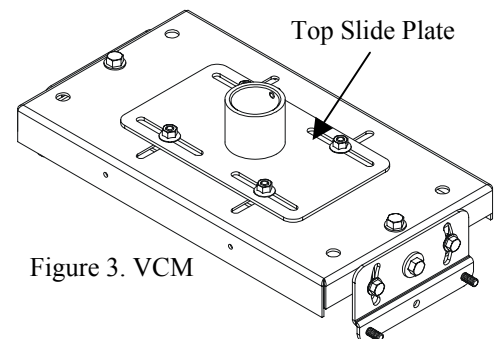


Figure 3. VCM