

INSTALLATION INSTRUCTIONS

FLAT CEILING PLATE

CMA-210 

The Ceiling Plate is designed for ease of installation with any height of drop ceiling. By using any length of standard NPT 1½” pipe threaded both ends, you can extend the height capabilities to meet your needs.

WARNING: IMPROPER INSTALLATION MAY RESULT IN SERIOUS PERSONAL INJURY!

When mounting Chief Manufacturing accessories, the structural system and mounting method **MUST** be capable of supporting 5 times the combined weight of the total installation. The maximum weight to be installed on the ceiling plate is 500 pounds (226.8 Kg).

Unpack and check contents:

- (1) Flat Ceiling Plate
- (1) 5/16 – 18 Socket Set Screws
- (1) 5/32” Hex Wrench

INSTALLATION INSTRUCTIONS

1. Securely install the ceiling plate to the ceiling joists. (SEE WARNING ABOVE)
Bolt hole spacing is shown on Figure 1.
2. Thread your standard NPT 1½” pipe into coupler, tighten securely.
3. Install and securely tighten the 5/16 – 18 socket set screws.
4. Follow the mounting instructions for your projector model, for installation and adjustment of the projector.

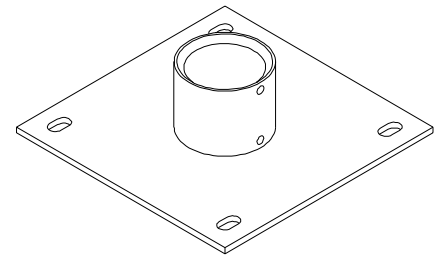
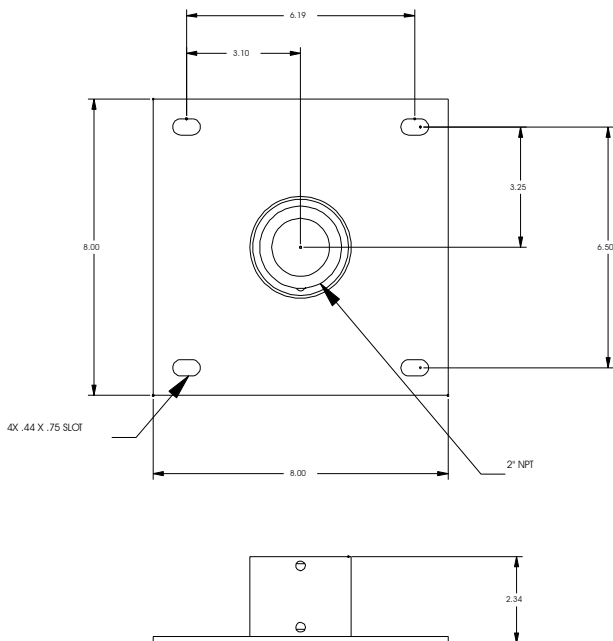


Figure 1. CMA-210 Dimensions



CHIEF MANUFACTURING INC.
1-800-582-6480 952-894-6280 FAX 952-894-6918
12800 HIGHWAY 13 SOUTH, SUITE 500
SAVAGE, MINNESOTA 55378 USA

8803-000014
2003 Chief Manufacturing
www.chiefmfg.com
01/03