
INSTALLATION INSTRUCTIONS

Single Ceiling Mount

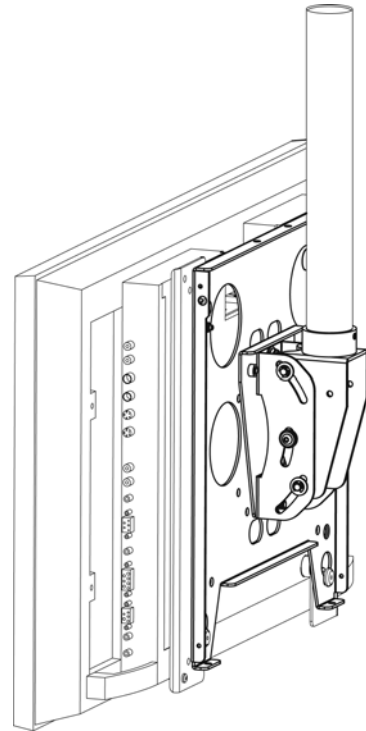
Model: PCS-2000 Series

The PCS-2000 Series is a strong, durable ceiling mount that is designed to hang a single flat panel display.

The tilt range for the mounting faceplate is $\pm 15^\circ$ from vertical. Once adjusted for optimal viewing, the position of the faceplate can be locked in place to prevent accidental alignment changes.

The mount also uses Chief's exclusive Q-Latch[®] mounting system which offers quick connect/disconnect display mounting; optional padlock provides additional display security.

Q-Latch[®] is a registered trademark of Chief Mfg.



BEFORE YOU BEGIN



CAUTION: To prevent damage to your display and PCS-2000 Series, which could affect or void the Factory warranty, thoroughly study all instructions and illustrations before you begin to install the mount. Pay particular attention to the Warnings and Cautions in this document.

- The maximum weight to be installed on the PCS-2000 Series ceiling mount is 200 lbs (90.7 kg).
- If you have any questions about this installation, contact Chief Manufacturing at 1-800-582-6480 or 952-894-6280.



IMPORTANT WARNINGS AND CAUTIONS!

WARNING: A WARNING alerts you to the possibility of serious injury or death if you do not follow the instructions.

CAUTION: A CAUTION alerts you to the possibility of damage or destruction of equipment if you do not follow the corresponding instructions.



WARNING: Improper installation can result in serious personal injury! It is the installer's responsibility to make sure structural members can support a redundant weight factor five times the total weight of the equipment. If not, reinforce the structure before installing the mount.



WARNING: Improper installation can result in serious personal injury! Make sure all components are properly assembled and installed using instructions provided.



WARNING: The combined weight of the mount, display, and all attached components or other equipment must not exceed 200 lbs (90.7 kg), the maximum support weight of the mount.



WARNING: Watch for pinch points. Do not put your fingers between movable parts.



WARNING: Make sure the Q-Latch securing the display is fully latched at all times except when removing or installing the display.



CAUTION: Check the unit for shipping damage before you begin the installation.

TOOLS REQUIRED FOR INSTALLATION

- 5/32" Hex Wrench (provided)
- Pipe wrench

NOTE: Other tools may be required depending on your method of installation.

PARTS

Unpack carton, inspect and verify contents (See Figure 1). Read installation instructions completely. If any listed parts are missing, contact Chief Customer Service at 1-800-582-6480.

Table 1: Parts

| | | |
|----|-------------------------------------------|---|
| 10 | MOUNT ASSEMBLY, Ceiling, PCS-2000 | 1 |
| 20 | SCREW, Set, 5/16" - 18 | 1 |
| 30 | WRENCH, Hex, 5/32" | 1 |
| -- | PIPE, 1-1/2" NPT (Required, Not Supplied) | 1 |

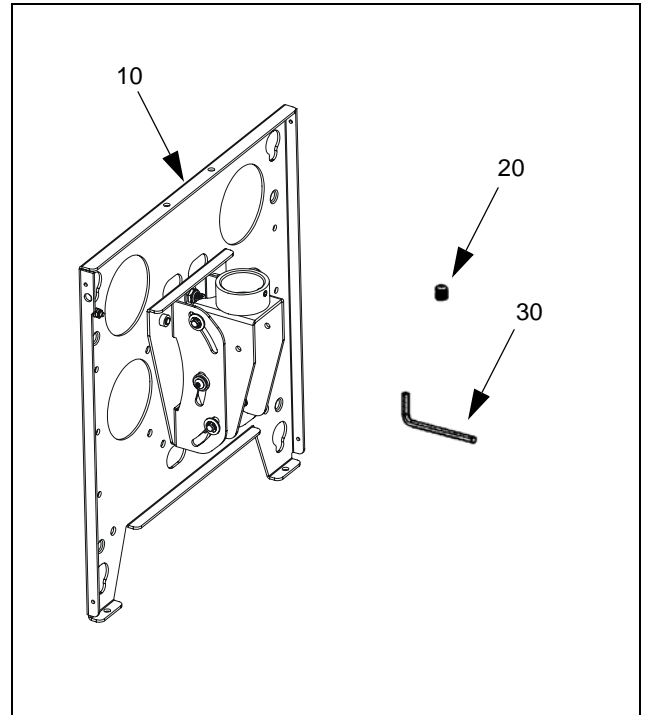
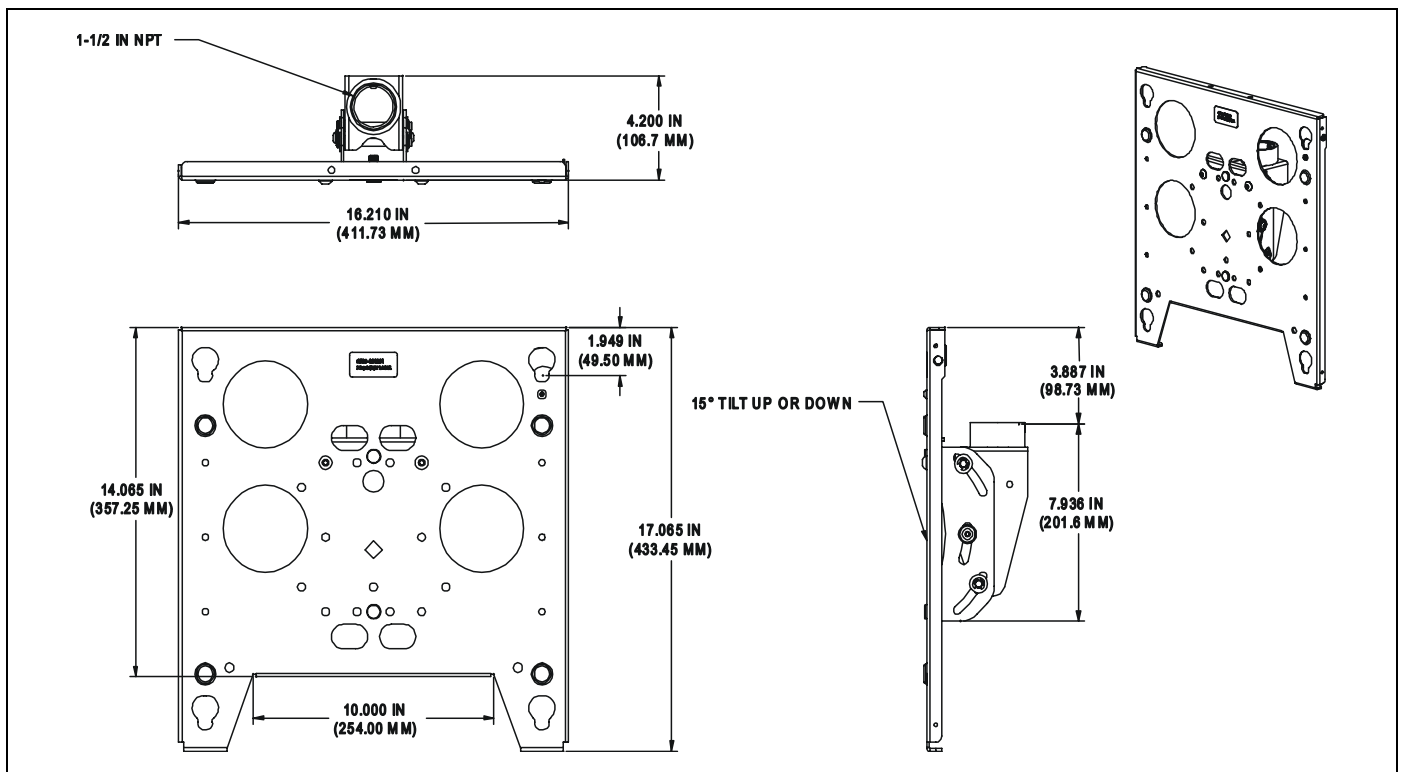


Figure 1: PCS-2000 Parts

DIMENSIONAL DRAWING



INSTALLATION

MOUNT INSTALLATION

NOTE: Read the Warnings and Cautions on page 2.

Perform the following procedures to install the mount.



WARNING: It is the responsibility of the installer to verify that the 1-1/2" NPT pipe to which the mount is anchored will safely support the combined load of all attached components and equipment.

Attach Mount to NPT Pipe

To attach mount to NPT pipe, do the following:

1. Thread mount (10) onto existing 1-1/2" NPT pipe at least four complete turns (See Figure 2).
2. Using hex wrench (30), insert 5/16"-18 set screw (20) into threaded collar on mount (10).

NOTE: The set screw must be installed to prevent movement of mount relative to NPT pipe.

3. Tighten set screw (20) to lock mount in position.

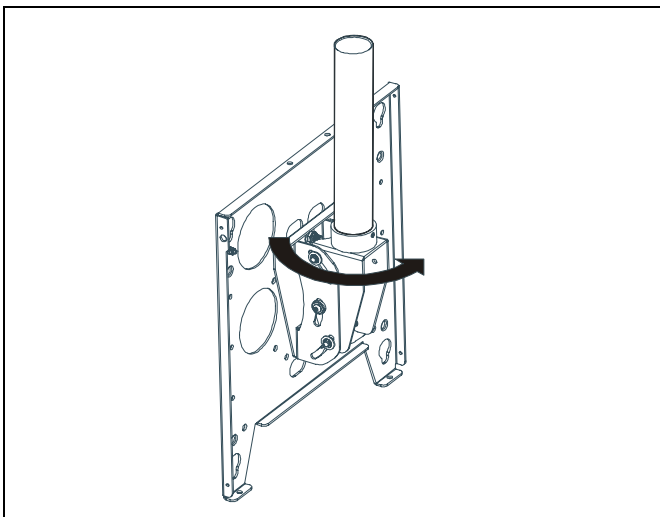


Figure 2: Attach Mount to NPT Pipe

DISPLAY INSTALLATION

The following procedure assumes that the proper interface bracket for display being mounted has already been installed on display.

If no interface bracket is present on display, install bracket to display using instructions included with interface bracket before proceeding.

If an interface bracket for display being mounted needs to be obtained, or additional assistance is required, contact a Chief Customer Service representative by calling 1-800-582-6480 or by visiting www.chiefmfg.com.

To install the display, do the following:

1. Make sure Q-Latch is in the UNLATCHED position (See Figure 3).

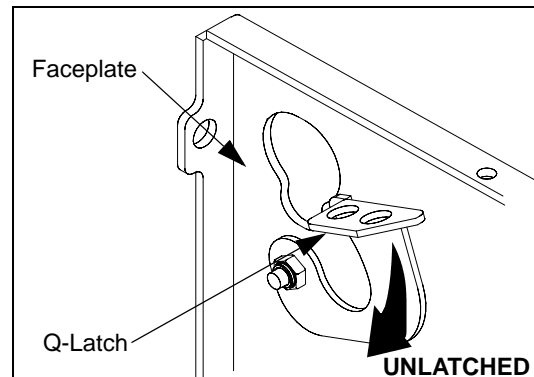


Figure 3: Q-Latch (Unlatched)

2. While supporting each side of display, align four mounting buttons on interface bracket with four teardrop slots in mount faceplate (See Figure 4). Lower display firmly into place (See Figure 5).

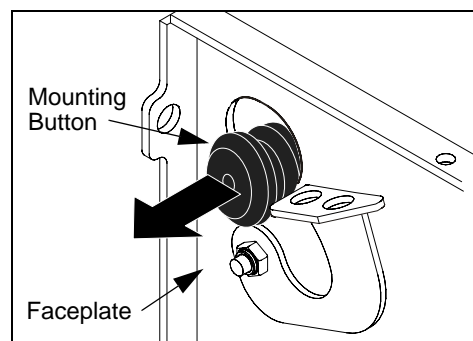


Figure 4: Align Display

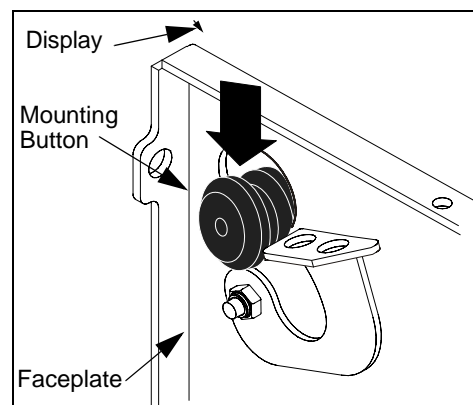


Figure 5: Lower Display



CAUTION: Q-Latch must fully engage mounting button.

- Secure display by rotating Q-Latch to the fully LATCHED position (See Figure 6). If Q-Latch does not fully engage, ensure mounting buttons are fully seated in teardrop slots.

NOTE: A hole is provided in the Q-Latch and faceplate to accommodate insertion of a padlock or similar locking device.

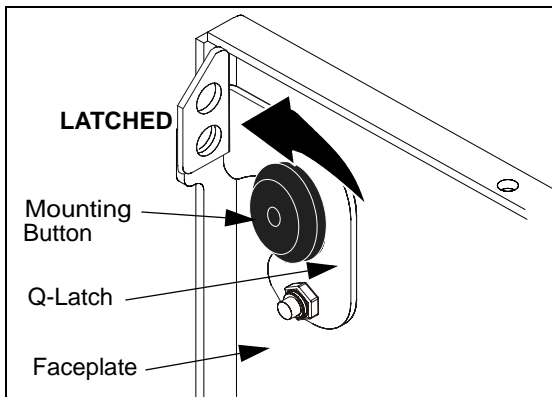


Figure 6: Q-Latch (Latched)



WARNING: The Q-Latch must be fully LATCHED prior to connecting cables to display.

- Install Q-Clamps per instructions included in PAC-140 Q-Clamp Accessory package.
- Connect cables to display.

REMOVE THE DISPLAY

- Disconnect all power/audio/video cables.
- Remove Q-Clamps.
- UNLATCH Q-Latch (See Figure 3).
- With the aid of another person, lift display up and out of teardrop slots in mount.

ADJUSTMENTS

Perform the following procedures to adjust displays on mount to desired pitch (See Figure 7).



WARNING: Watch for pinch points. Do not put fingers between movable parts.

NOTE: When making an adjustment, tighten fasteners only as required to hold mount in place. Do not over-tighten fasteners. Over-tightening fasteners may cause excessive wear and may damage your mount.

Pitch Adjustment

To make pitch adjustment, do the following:

- If necessary, use hex wrench (30) to loosen both pitch adjustment screws, one on each side of mount (See Figure 8).
- Adjust display to desired pitch.
- If necessary, use hex wrench (30) to tighten pitch adjustment screws.

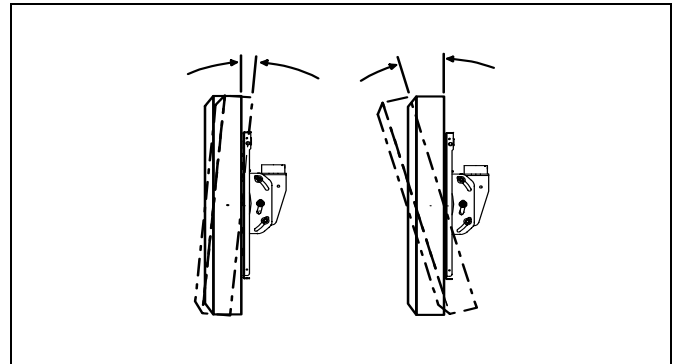


Figure 7: Pitch Motion

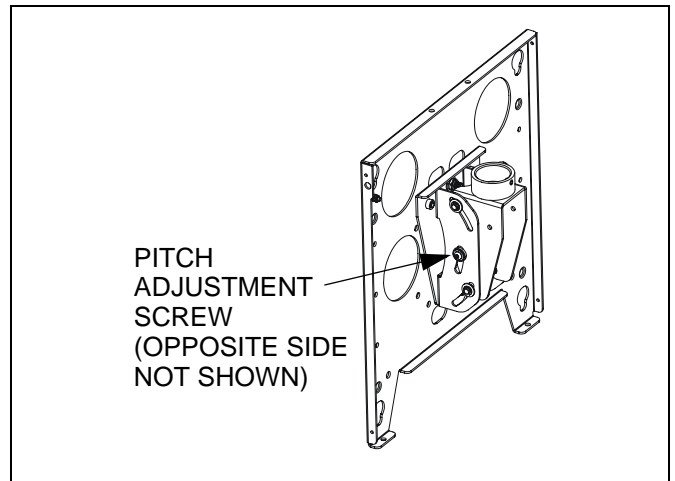


Figure 8: Pitch Adjustment

