
INSTALLATION INSTRUCTIONS

Small Flat Panel Single Swing Arm Wall Mount (FWS-110)

The FWS is a sleek design that swings out from the wall for close viewing, providing display pitch and pivot adjustment for ergonomic needs.

At only 2.15" deep in the closed position, the mount allows side-to-side pivot adjustment up to 180 degrees in the closed and the fully extended position. Displays up to 30" (max. 40 pounds) can be extended to 9.43" from the wall.

The FWS accommodates all VESA® 75mm/100mm compliant displays.



BEFORE YOU BEGIN

- **Caution:** To prevent damage to the FWS, which could affect or void the Factory warranty, and to the equipment that will be attached to it, thoroughly study all instructions and illustrations before you begin the installation. Pay particular attention to the "Important Warnings and Precautions" on Page 1.
- The maximum weight to be installed on the FWS wall mount is 40 pounds (18.1 Kg)
- The FWS wall mount is designed to be installed using wall studs or supporting framework. The structure to which the FWS wall mount is anchored must be capable of supporting **five times** the total weight of the mount and all attached equipment.
- If you have any questions about this installation, contact Chief Manufacturing at 1-800-582-6480.



CHIEF MANUFACTURING INC.
1-800-582-6480 952-894-6280 FAX 952-894-6918
12800 HIGHWAY 13 SOUTH, SUITE 500
SAVAGE, MINNESOTA 55378 USA

PART NO. 8832-000003 (Rev. E)
2003 Chief Manufacturing
www.chiefmfg.com
Printed in USA 02-04



IMPORTANT WARNINGS AND PRECAUTIONS!

- WARNING:** A **WARNING** alerts you to the possibility of serious injury or death if you do not follow the instructions.
- CAUTION:** A **CAUTION** alerts you to the possibility of damage or destruction of equipment if you do not follow the corresponding instructions.
- **WARNING: Improper installation can result in serious personal injury! Make sure that the structural members can support a redundant weight factor *five times* the total weight of the equipment: if not, reinforce the structure before installing the FWS.**
 - **WARNING: Be aware also of the potential for personal injury or damage to the unit if it is not adequately mounted.**
 - **WARNING: The installer is responsible for verifying that the wall to which the FWS is anchored will safely support the combined load of all attached components or other equipment.**
 - **WARNING: The weight of the display placed on the FWS must not exceed 40 lbs. (18.1 kg), the maximum load capacity of the FWS.**
 - **WARNING: Watch for pinch points. Do not put your fingers between movable parts.**
 - **WARNING: Make sure the mount and brackets are correctly oriented.**
 - **CAUTION:** Check the unit for shipping damage before you begin the installation.

TOOLS REQUIRED FOR INSTALLATION

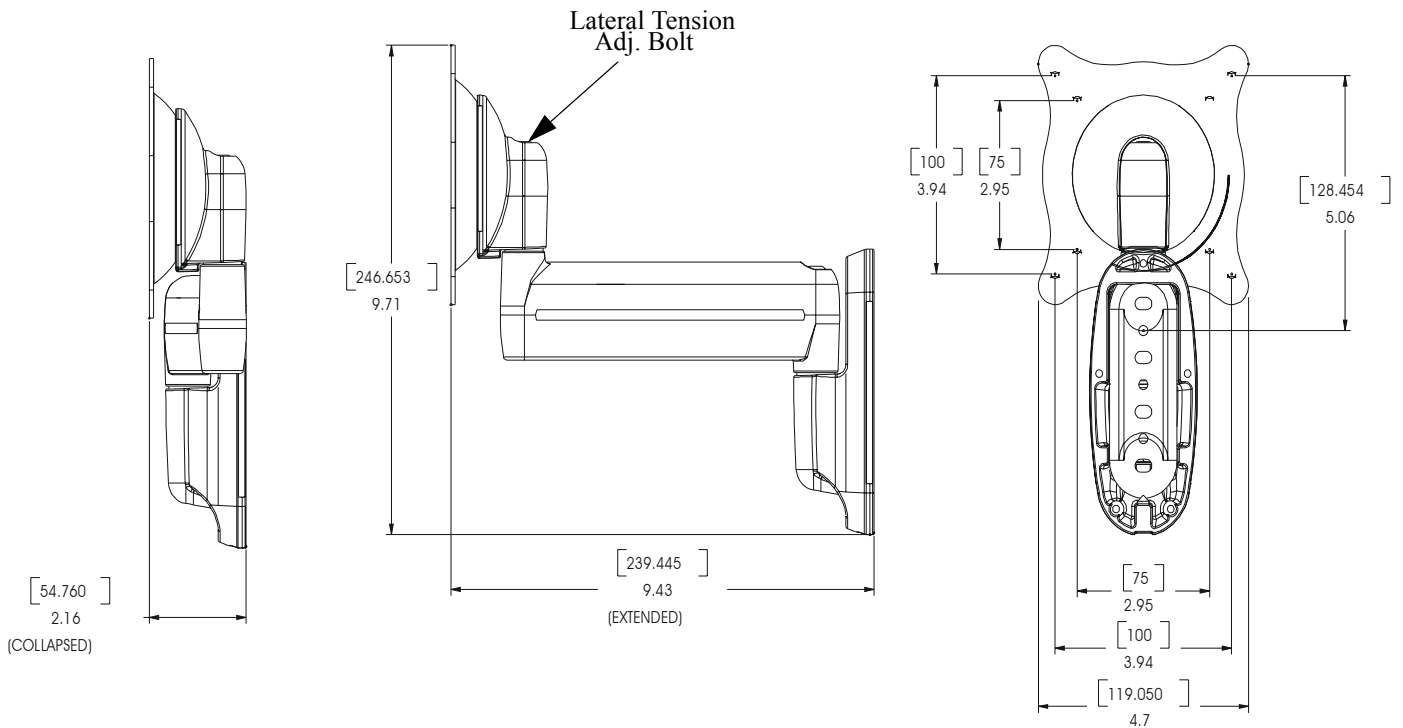
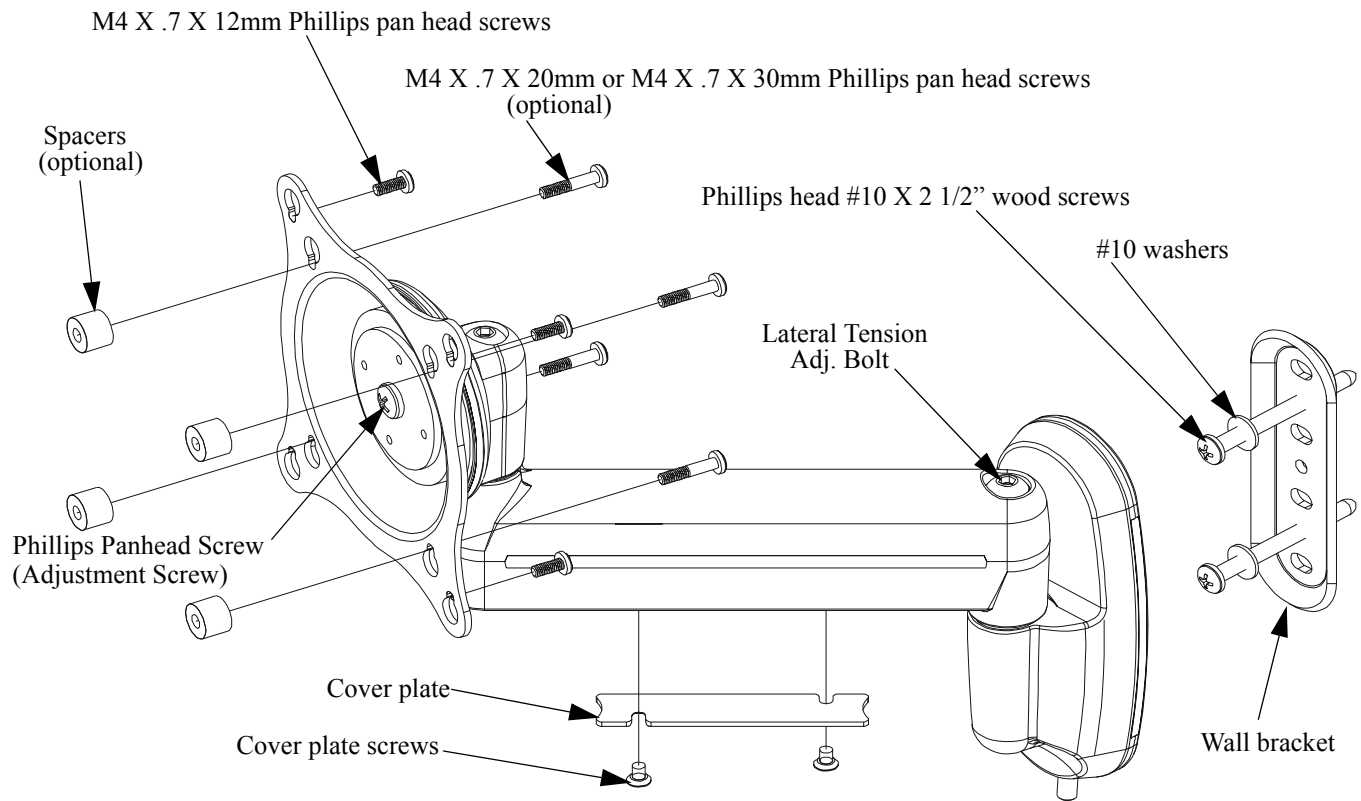
- Electric drill and bit set
- Phillips Screwdriver
- Level

NOTE: Other tools may be required depending on the mounting surface and method of installation.

CONTENTS

DRAWINGS	2
INSPECT THE UNIT BEFORE INSTALLING	3
FWP INSTALLATION	3
CABLE MANAGEMENT	5
ADJUSTMENTS	5

DRAWINGS



INSPECT THE UNIT BEFORE INSTALLING

WARNING: Watch for pinch points. Do not put your fingers between movable parts.

1. Carefully inspect the FWS for shipping damage. If any damage is apparent, call your carrier claims agent and do not continue with the installation until the carrier has reviewed the damage.

NOTE: Read all instructions before starting installation.

2. Lay out components to ensure you have all the required parts before proceeding (see FWS drawing on page 2).

FWS INSTALLATION

WARNING: It is the responsibility of the installer to verify that the surface to which the FWS is anchored will safety support the combined load of all attached components and equipment.

Install the FWS as follows:

1. Determine the exact mounting location prior to installation, considering the unit's swing and extension radius.

WARNING: Improper installation can result in serious personal injury! Make sure that the structural members can support a redundant weight factor *five times* the total weight of the equipment: if not, reinforce the structure before installing the FWP.

2. Using the wall bracket as a template, drill two 3/32" pilot holes to a minimum depth of 1 1/2".
3. Using two Phillips head #10 X 2 1/2" wood screws and two #10 washers (supplied), secure the wall bracket (see Figure 1).
4. Check mount to insure it is level and adjust to level if necessary.

WARNING: Watch for pinch points. Do not put your fingers between movable parts.

5. Install the FWS on the wall bracket by placing the top of the FWS over the top of the wall bracket and pushing the bottom of the FWS over the bottom of the wall bracket see Figure 2).
6. Install the FWS on the wall bracket by placing the top of the FWS over the top of the wall bracket and pushing the bottom of the FWS over the bottom of the wall bracket.
7. Using the 5/32" hex wrench (provided), secure the FWS to the wall bracket by tightening the set screw (see Figure 3).

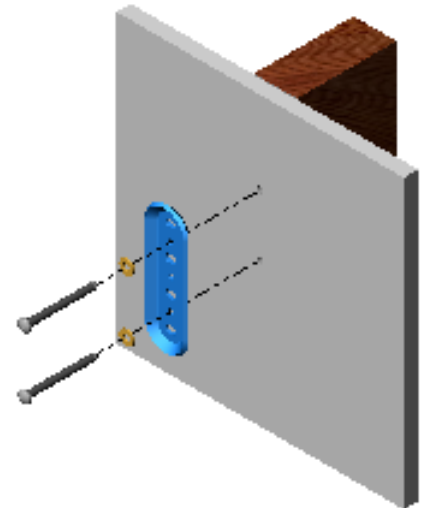


Figure 1. Secure Wall Bracket

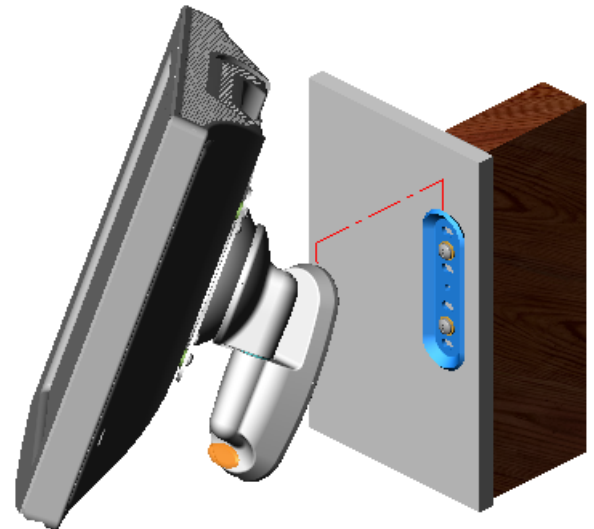


Figure 2. Install FWD on Bracket



Figure 3. Tighten Setscrew to Secure

VESA Compliant Flush Mounting

CAUTION: If monitor uses a screw size other than M4, DO NOT use the M4 screws provided. Using the wrong screws could result in damage to your display.

- A. Start two M4 X .7 X 12mm Phillips pan head screws in the top mounting holes of your display.
- B. Matching the hole pattern on your display with the hole pattern on the mount, hang the mount from the two screws started in Step A.
- C. Install two remaining Phillips pan head screws through the mount and into the mounting holes of your display.
- D. Secure your display to the mount by tightening the four Phillips pan head screws.

WARNING: Make sure your cables do not run through a pinch point.

- E. Connect and secure power/audio/video cables, making sure to leave sufficient slack to allow for movement of the display.

VESA Compliant Recessed Mounting

- A. Place four 1/2" X 3/8" Nylon spacers or four 1/2" X 3/4" Nylon spacers, as necessary, over the mounting holes of your display (see Figure 4).
- B. Place the mount over the Nylon spacers, matching the hole pattern on your display (75mm or 100mm) with the hole pattern on the mount.
- C. Using four M4 X .7 X 20mm Phillips pan head screws for 1/2" X 3/8" Nylon spacer installation or four M4 X .7 X 30mm Phillips pan head screws for the 1/2" X 3/4" Nylon spacer installation, secure the mount to your display.

WARNING: Make sure your cables do not run through a pinch point.

- D. Connect and secure power/audio/video cables, making sure to leave sufficient slack to allow for movement of the display.

Non-VESA Compliant Mounts

- A. Contact Chief Manufacturing for custom interface brackets.

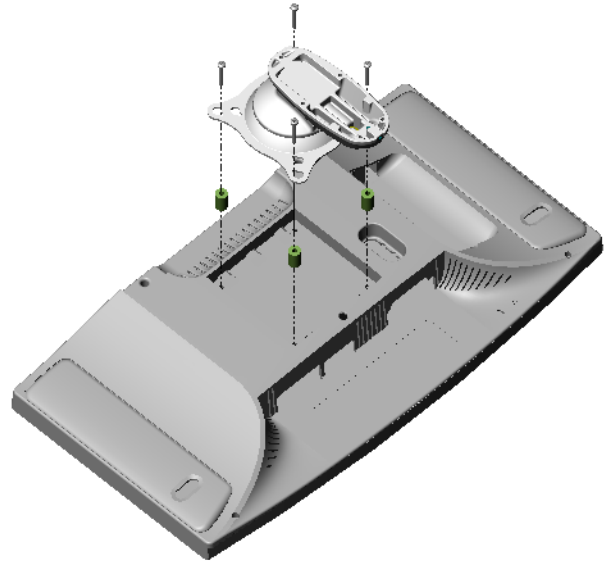


Figure 4. Recessed Mounting

CABLE MANAGEMENT

WARNING: Make sure your cables do not run through a pinch point.

1. Route power/audio/video cables under the arm, allowing sufficient slack in cables for extension and avoiding pinch points.
2. Secure cables using cover plate and two screws (see “DRAWINGS” on page 2).

ADJUSTMENTS

CAUTION: Overtightening adjustment will cause excessive wear.

Rotational Tilt, Pitch, and Roll Adjustment

1. If necessary, use a Phillips screwdriver to tighten or loosen the Phillips pan head screw (see “DRAWINGS” on page 2).
2. Check for desired tension.
3. Repeat Steps 1 and 2 until desired tension is obtained.

Lateral Tension Adjustment

1. Using a 3/16” hex wrench (provided), slightly tighten or loosen lateral tilt tension adjustment bolt.
2. Check for desired tension.
3. Repeat Steps 1 and 2 until desired tension is obtained.