
INSTALLATION INSTRUCTIONS

Midsized Flat Panel Single Arm Wall Mount, Model MWH™

The MWH is wall-mounted, rugged, versatile, and installer-friendly. The MWH is compatible with the midsized 200 x 200mm MSB interface bracket in which a display can be mounted in either the landscape or portrait position.

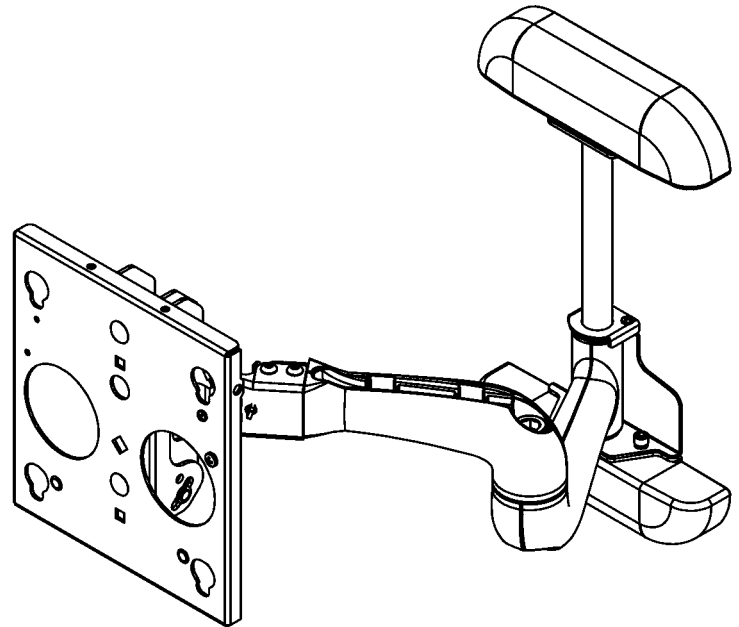
The single arm on the MWH:

- Extends from the wall 24-7/8" in length
- Pivots up to 90° left or right of center

The standard MWH is shipped with the support post for the single arm centered in the mount. The tilt range for the display is 5° up and 15° down.

The mount was designed for fast installation. After drawing the plumb line and drilling pilot holes into a single wall stud, the installer installs the mount on the wall using lag bolts and washers.

Next, the installer mounts the display and connects the power/audio/video cables, which are diverted into the built-in path in the flexible swing arm. After making the lateral, rotational, and tilt adjustments, the installation process is complete.



BEFORE YOU BEGIN

- **Caution:** To prevent damage to the MWH, which could affect or void the Factory warranty, and to the equipment that will be attached to it, thoroughly study all instructions and illustrations before you begin the installation. Pay particular attention to the "Important Warnings and Cautions" on Page 2.
- The combined weight of the components installed on the MWH must not exceed 100 lbs. (45.36kg).
- The MWH wall mount must be installed on a single wall stud or supporting framework. The wall to which the MWH is anchored must be capable of supporting **five times** the total weight of the mount and all attached equipment.
- If you have any questions about this installation, contact Chief Manufacturing at 1-800-582-6480.



CHIEF MANUFACTURING INC.
1-800-582-6480 952-894-6280 FAX 952-894-6918
8401 EAGLE CREEK PARKWAY, STE. 700
SAVAGE, MINNESOTA 55378 USA

PART NO. 8831-000009 (Rev. B)
©2005 Chief Manufacturing
www.chiefmfg.com
08/05



IMPORTANT WARNINGS AND CAUTIONS!

WARNING: A **WARNING** alerts you to the possibility of serious injury or death if you do not follow the instructions.

CAUTION: A **CAUTION** alerts you to the possibility of damage or destruction of equipment if you do not follow the corresponding instructions.

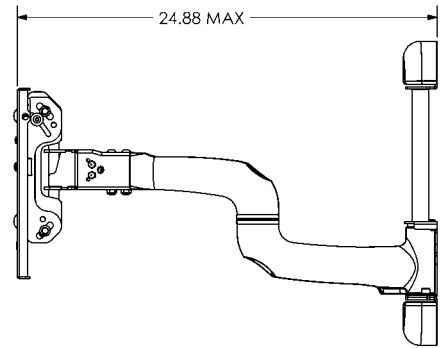
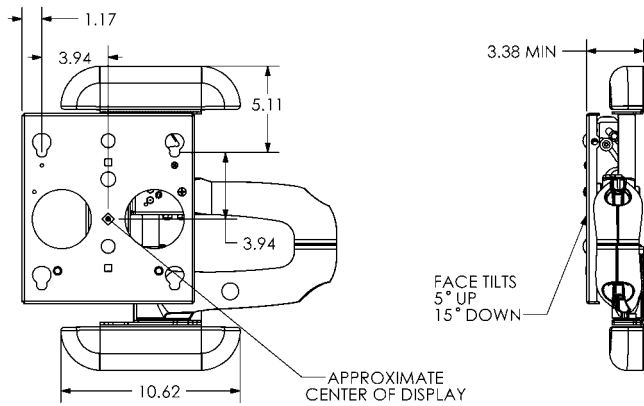
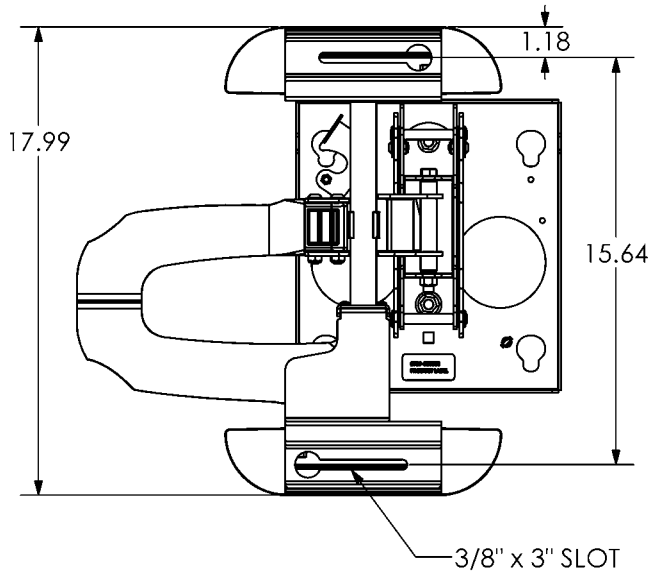
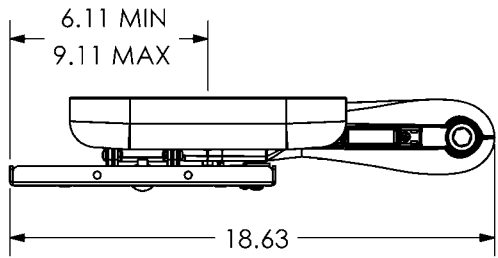
- **WARNING:** **Improper installation can result in serious personal injury! Make sure that the structural members can support a redundant weight factor *five times* the total weight of the equipment. If not, reinforce the structure before installing the MWH.**
- **WARNING:** **Be aware also of the potential for personal injury or damage to the unit if it is not adequately mounted.**
- **WARNING:** **The installer is responsible for verifying that the wall to which the MWH is anchored will safely support the combined load of all attached components or other equipment.**
- **WARNING:** **The weight of the display placed on the MWH must not exceed 100 lbs. (45.36kg), the maximum load capacity of the MWH.**
- **WARNING:** **Watch for pinch points. Do not put your fingers between movable parts.**
- **WARNING:** **Make sure the mount and brackets are correctly oriented.**
- **WARNING:** **Make sure the flag securing the display is completely lowered at all times *except* when removing or installing the display.**
- **CAUTION:** Check the unit for shipping damage before you begin the installation.

NOTE: Hardware for attaching this unit to the wall is not supplied.

CONTENTS

IMPORTANT WARNINGS AND CAUTIONS!	2
DIMENSIONAL DRAWING	3
INSPECT THE UNIT BEFORE INSTALLING	4
MWH SPECIFICATIONS	4
INTERFACES	4
TOOLS REQUIRED FOR INSTALLATION	4
PARTS LIST	4
MWH INSTALLATION	5
Locate Single Wood Stud	5
Install the Mount	6
MOUNT THE DISPLAY	7
CABLE MANAGEMENT	8
TENSION ADJUSTMENTS	9
Vertical Tilt Tension Adjustment	9
Lateral Tilt Tension Adjustment	9
Rotational Tilt Tension Adjustment	9
REMOVE THE DISPLAY	9

DIMENSIONAL DRAWING



NOTE: CUSTOM INTERAFCE BRACKET NOT SHOWN. THE CUSTOM INTERFACE BRACKET NEEDED FOR YOUR DISPLAY WILL ADD BETWEEN 1/2" AND 2" IN DEPTH AND MAY AFFECT LOCATION OF DISPLAY ON THE MOUNT.

SEE MSB-XXXX DRAWING ALSO.

INSPECT THE UNIT BEFORE INSTALLING

WARNING: Watch for pinch points. Do not put your fingers between movable parts.

- Carefully inspect the MWH for shipping damage. If any damage is apparent, call your carrier claims agent and do not continue with the installation until the carrier has reviewed the damage.

NOTE: Read all instructions before starting installation.

- Lay out components to ensure you have all the required parts before proceeding. See “DIMENSIONAL DRAWING” on page 3.

MWH SPECIFICATIONS

Table 1 on page 4 provides the MWH specifications.

Table 1: MWH Specifications

Model	Max Support Weight	MWH Extended from Wall
MWH	100 lbs. (45.36kg)	24-7/8”*

*Dimension does not include the MSB interface bracket.

INTERFACES

Table 2 on page 4 provides the applicable MWH interfaces.

Table 2: MWH Interfaces

Model	Interfaces
MWH	200 x 200mm Mid Sized Brackets (MSB)

TOOLS REQUIRED FOR INSTALLATION

- Allen wrench set
- Drill and bit set
- Wrench set

NOTE: Other tools may be required depending on the method of installation.

PARTS LIST

Unpack the carton and verify the contents listed in Table 3 on page 4. If you are missing any of the listed parts, contact Customer Service at: 1-800-582-6480.

Table 3: Parts List

REF	DESCRIPTION	QTY
10	MWH Wall Mount	1
20	Cover Plates	2
30	End Caps	4
40	Tiewraps	12
—	Lag Bolts (required, not supplied)	4
—	Flat Washers (required, not supplied)	4

INSTALLATION

WARNING: Improper installation can result in serious personal injury!

WARNING: It is the responsibility of the installer to verify that the wall to which the mount is anchored will safely support *five times* the combined load of all attached components and equipment. If not, reinforce the structure before installing the mount.

Locate Single Wood Stud

1. Determine the exact mounting location prior to installation, considering screen size and the unit's total swing arm radius. Keep in mind that the pilot holes must be drilled in the center of a wood stud or other supporting framework.

NOTE: Mount the mount on a single wall stud or other supporting framework that is vertical or horizontal.

2. Using a stud sensor, locate the wood stud where you will mount the mount (see Figure 1).
3. Draw a level line to indicate the desired height of the top mounting bracket.
4. With an assistant, lift and hold the mount against wall.

NOTE: The mount can be fastened to the wall stud using any parallel set of mounting holes on the top and bottom brackets.

5. Select the mounting holes on the top bracket and bottom where the lag bolt will be installed (see Figure 2). Use a pencil, awl, or small nail to mark the mounting hole where the pilot hole will be drilled into the center of the wood stud.
6. With an assistant, lay the mount down on the floor.
7. Drill two pilot holes where the mounting holes were marked for anchoring the mount (refer to Figure 1).
 - a. If you use 5/16" lag bolts (not included), use a 7/32" drill bit.
 - b. If you use 3/8" lag bolts (not included), use a 9/32" drill bit.

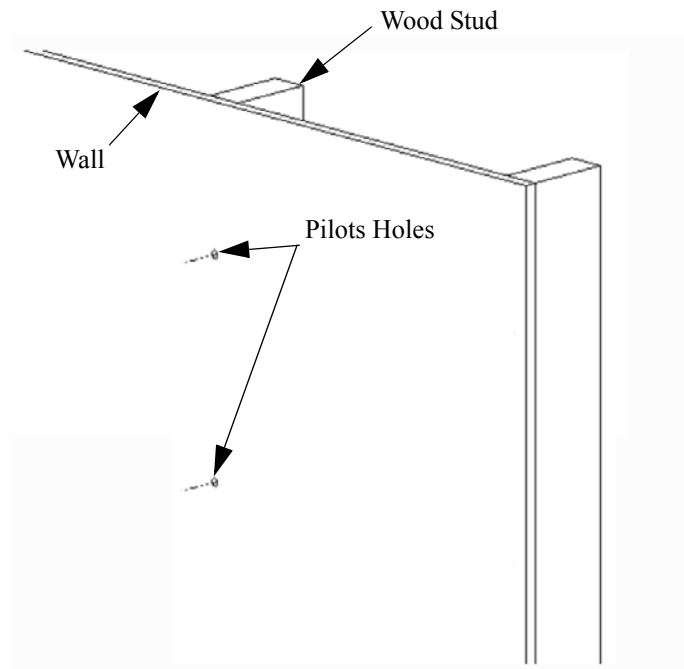


Figure 1. Single Wood Stud

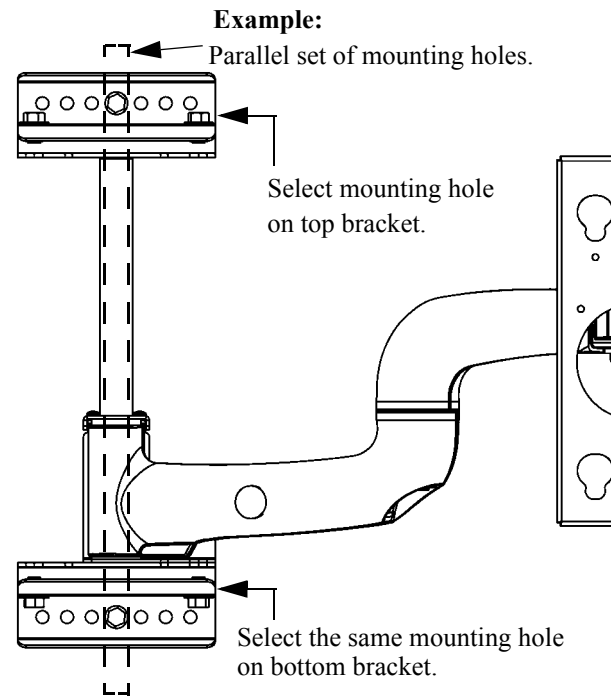


Figure 2. Select Parallel Mounting Holes

Install the Mount

1. With an assistant, lift the mount into place on the wall.

WARNING: Improper installation can result in serious personal injury!

NOTE: Make sure the washer is installed in front of the top bracket, not behind the bracket.

NOTE: Lag bolts and flat washers are not supplied.

2. In the mounting hole of your choice, install a lag bolt and flat washer in the top bracket using the pilot hole previously drilled. See Figure 3 for an example.
 - a. If you used a 7/32" drill bit, use 5/16" lag bolts and 5/16" flat washers, minimum.
 - b. If you used a 9/32" drill bit, use 3/8" lag bolts and 3/8" flat washers, minimum.
3. Repeat Step 2 to install a lag bolt using the same mounting hole in the bottom bracket.
4. Tighten the lag bolts.

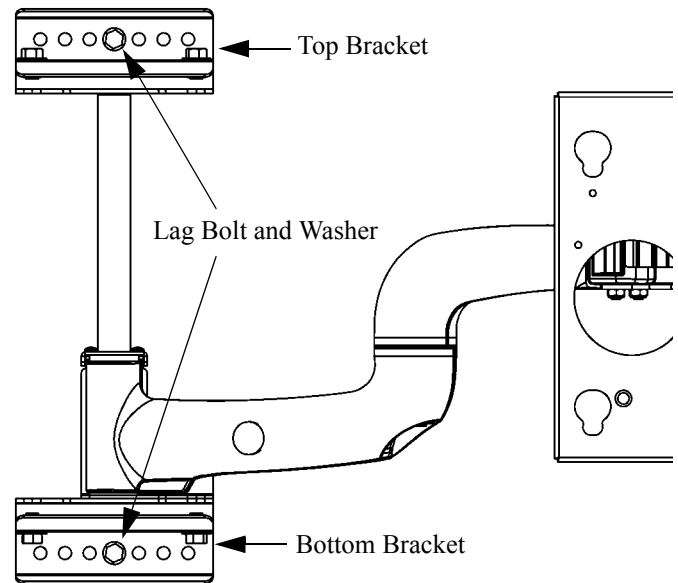


Figure 3. Install the Mount

Install Cover Plates and End Caps

1. Install cover plates (20) over the top and bottom mounting brackets. See Figure 4.
2. Install end caps (30) on the ends of both cover plates (20).

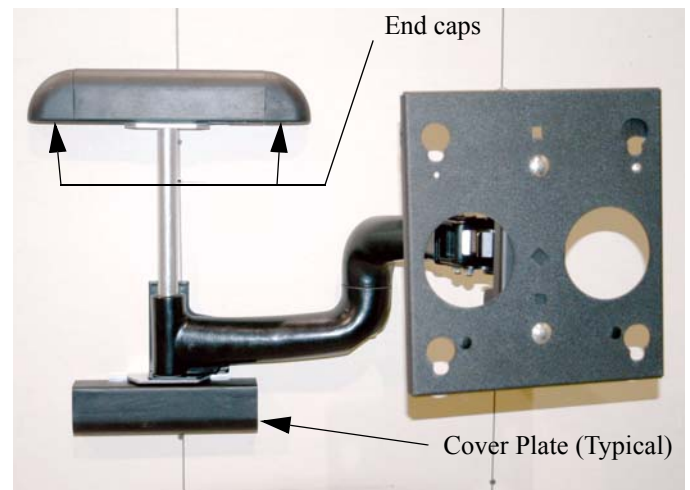


Figure 4. Install Cover Plates

MOUNT THE DISPLAY

1. Make sure power is not supplied (turned off) to the display and the locking device is in the unlocked (down) position (see Figure 5) before attempting to mount the display.
2. Following the instructions for mounting the MSB interface bracket of your specific plasma display panel, install the mounting bracket on your plasma display panel.

WARNING: Watch for pinch points. Do not put your fingers between movable parts.

3. With an assistant, slide the display down over the MWH. Make sure buttons of MSB interface bracket fully engage all teardrop slots of the MWH.
4. Secure the mounting bracket to the MWH by completely engaging the locking device (see Figure 5).

WARNING: Make sure the locking device securing the display is completely engaged at all times except when removing or installing the display. The locking device must be completely engaged during installation/removal of cables when the display is mounted.

NOTE: A padlock may be used on the locking device for increased security.

5. Connect and secure power/audio/video cables, making sure to leave sufficient slack to allow for movement of the swing arms.

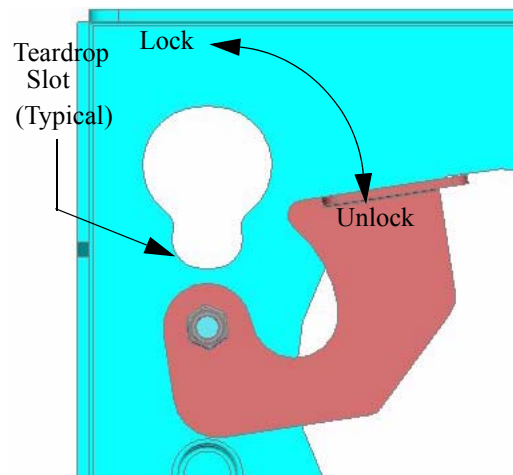


Figure 5. Locking Device

CABLE MANAGEMENT

WARNING: Make sure your cables do not run through a pinch point.

1. Route power/audio/video cables through the cable channel in top arm (see Figure 6), allowing sufficient slack in cables for extension and avoiding pinch points, and secure cables using two clips and two tiewraps (40, not shown).
2. Route power/audio/video cables along bottom arm (see Figure 7), using tiewraps (40, not shown) to secure cables to each arm, and through cable channel.

CAUTION: To prevent equipment damage, do not route cables through holes in the display mounting plate.

3. Route power/audio/video cables to an open area behind the mounting plate (not shown). Leave a sufficient amount of slack in cables to allow for connection and extension where needed.



Figure 6. Cable Management Channel (Top)

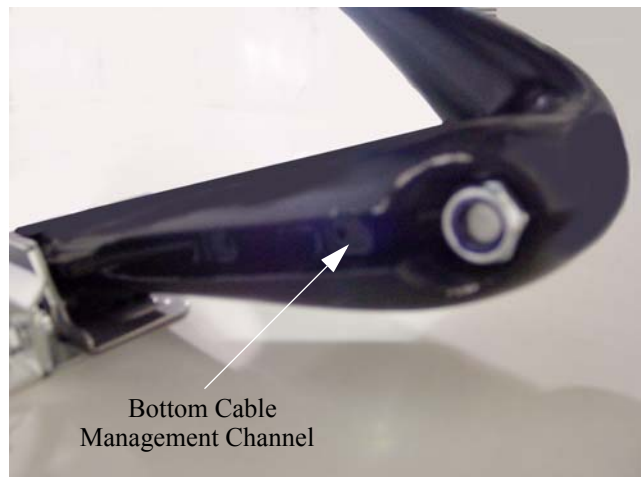


Figure 7. Cable Management Channel (Bottom)

TENSION ADJUSTMENTS

Vertical Tilt Tension Adjustment

1. Using 5/32" Allen wrench, slightly tighten or loosen two screws, one on each side, equally (see Figure 8).
2. With display mounted, check for desired vertical tilt tension.
3. Repeat Step 1 and Step 2 until desired vertical tilt tension is obtained.

Lateral Tilt Tension Adjustment

CAUTION: Overtightening lateral adjustment will cause excessive wear and may distort adjustment components.

1. Using a 9/16" wrench, slightly tighten or loosen lateral tilt tension adjustment nut (see Figure 9).
2. Mount the display and check for desired tilt tension.
3. Repeat Steps 1 and 2 until desired tilt tension is obtained.

Rotational Tilt Tension Adjustment

1. If necessary, loosen or tighten bottom rotational tilt tension adjustment nut (see Figure 10).
2. Mount the display and check for desired rotational tilt tension.
3. Repeat Steps 1 and 2 until desired rotational tilt tension is obtained.

REMOVE THE DISPLAY

Perform this procedure when maintenance is required.

WARNING: Plasma screens are heavy and extremely fragile. Exercise caution when removing or installing the plasma screen to avoid serious injury.

1. Disconnect power/audio/video cables.
2. Release the locking device (see Figure 5).
3. Using two people, lift the display up from the MWH.



Figure 8. Vertical Tilt



Figure 9. Lateral Tilt

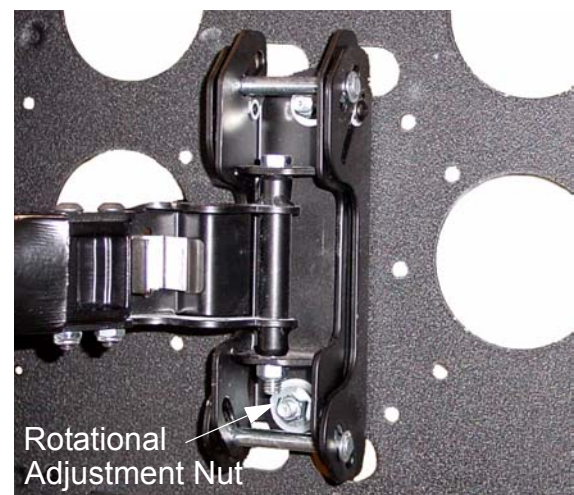


Figure 10. Rotational Adjustment

