

---

# INSTALLATION INSTRUCTIONS

---

## TRUSS/POLE STATIC MOUNT TPS-2000 SERIES

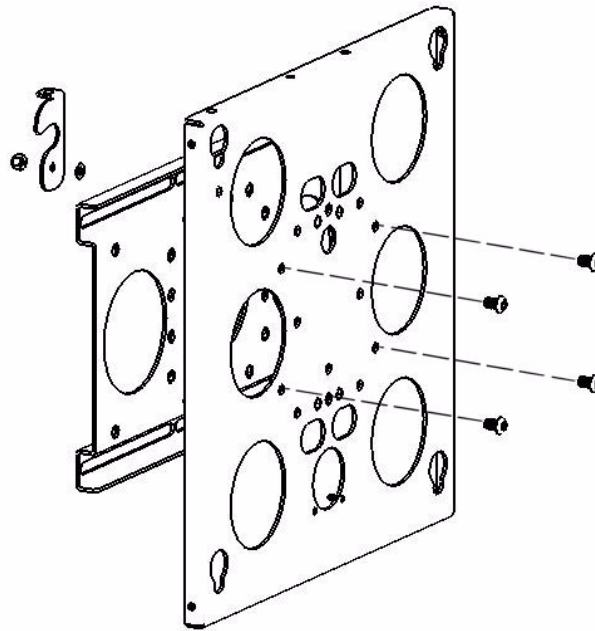


Figure 1. Parts

- (1) PLATE, back
- (1) PLATE, face
- (1) FLAG, latching

- (1) SPACER, Nylon, .25 X .5 X .032"
- (1) NUT, Nylock, 1/4-20
- (4) SCREW, button head cap, 5/16-18 X 1/2"
- (1) KEY, Allen, 3/16"

**NOTE:** This mount package does NOT include attaching hardware or PSB brackets for securing your specific display. See Chief PSB brackets and accessories to select mounting hardware appropriate for your application.

**BEFORE PROCEEDING:** Unpack the carton, verify contents shown in Figure 1 and read installation instructions completely. If you are missing any of the listed components, please contact Customer Service at 1-800/582-6480.

**CAUTION!** PLASMA DISPLAYS ARE EXTREMELY FRAGILE.

**WARNING!** ALL COMPONENTS MUST BE SECURELY FASTENED TO A STRUCTURAL MEMBER CAPABLE OF SUPPORTING 4 TIMES THE COMBINED WEIGHT OF ALL COMPONENTS PLUS THE EQUIPMENT BEING MOUNTED. IF IT CANNOT SUPPORT THIS WEIGHT, THE STRUCTURE MUST BE REINFORCED. THE MAXIMUM WEIGHT TO BE INSTALLED ON THE MOUNT IS 150 POUNDS (68.04 KG).



**CHIEF MANUFACTURING INC.**  
1-800-582-6480 952-894-6280 FAX 952-894-6918  
12800 HIGHWAY 13 SOUTH, SUITE 500  
SAVAGE, MINNESOTA 55378 USA

8807-000010  
2003 Chief Manufacturing  
[www.chiefmfg.com](http://www.chiefmfg.com)  
06/03

1. Install Nylon washer on stud in corner of face plate (see Figure 2).
2. Install latching flag over Nylon washer.
3. Secure latching flag to face plate using ¼-20 Nylock nut. Install latching flag loose enough to move but tight enough to remain in place when raised.
4. Attach the back plate to the pole (see Figure 3) or truss framework (see Figure 4) using Chief accessory clamps or equivalent, ensuring correct clamp size.

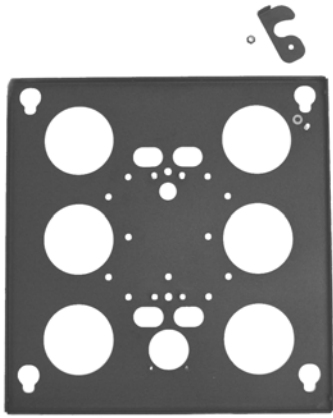


Figure 2. Attach Flag



Figure 3. Back Plate to Pole

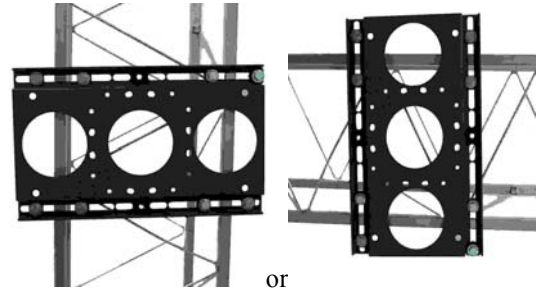


Figure 4. Back Plate to Truss

5. Ensure back plate is level, adjust as necessary, and secure back plate (see WARNING).
6. Place the face plate on the back plate in the desired position (see Figure 5 or Figure 6) and secure using four 5/16-18 X ½" button head cap screws in any matching set of holes.

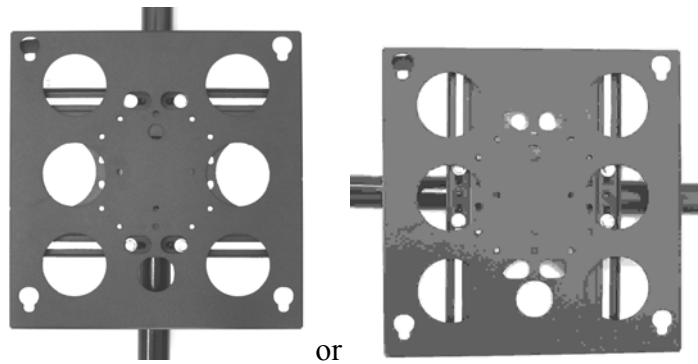


Figure 6. Pole Mounting Options

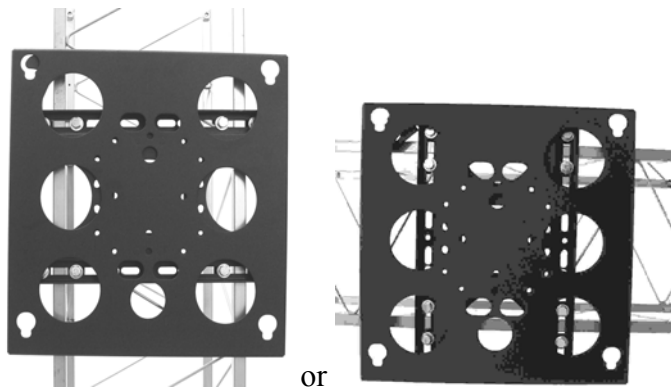


Figure 7. Truss Mounting Options

7. Attach PSB brackets to your display using the instructions included in the PSB package.
8. Make sure the latching flag is lowered before attempting to place the display on the mount.
9. With the aid of another person, lift the display up to the mount, align the mounting buttons with the teardrop slots in the mount, and set the display into place.
10. Position (raise) the flag to secure the display.